

Vertical Cable Ladder System

-  Vertical Cable Ladder
-  Splice Plates
-  Accessories



All straight sections of cable tray as well as their corresponding system components (fittings, splice plates, covers, ...) are classified by UL in accordance with NEMA VE 1 for the USA and CSA E22.2 No. 126.1 for Canada.

Please add an 'X' after the first sequence of characters in the part number to get your products labeled for UL conformity (f.e. RLV 60.200 becomes RLVX 60.200 or GRS 110.300 becomes GR SX 110.300).



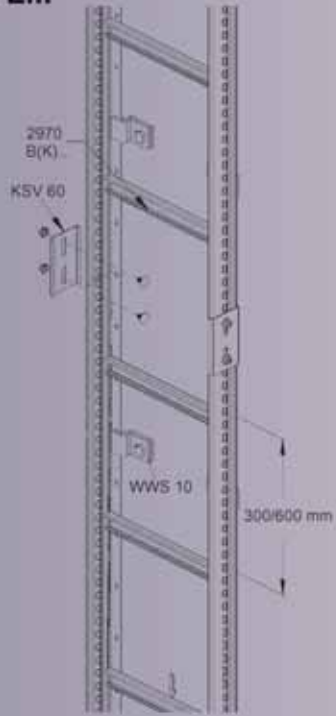
Niedax vertical cable ladders are available in a wide range of sizes and finishes. They are designed to mount cables directly to the horizontal rungs using various kinds and sizes of Niedax yoke clamps. Light and medium duty versions can be bolted directly to the wall, the heavy duty version based on the I 80 profile is mounted using a wall support bracket.



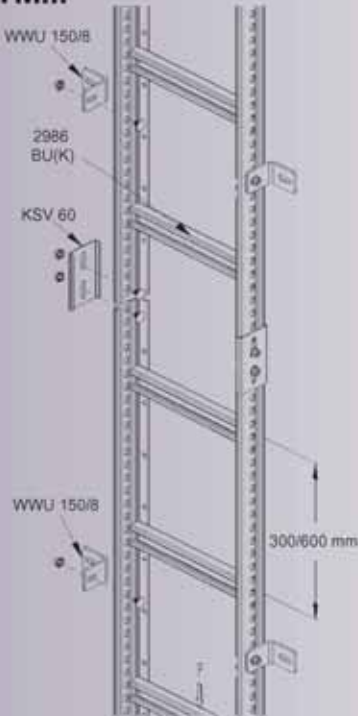
Available Side Rail Heights

SYSTEM	Vertical Cable Ladder, light version	STL	Page 292/293
	Vertical Cable Ladder	STM	Page 294/295
	Splice Plate	KSV 60	Page 295
	Wall Support/Wall Clamping Piece	WWS 10	Page 295
	Wall Support, isosceles	WWU 150/8	Page 296
	Wall Support, asymmetric	WWA 100	Page 296
	Vertical Cable Ladder, not assembled	STUC	Page 297
	Rungs for Vertical Cable Ladders	SPCKL	Page 297/298
	Straight Splice Plate	VB 6040	Page 298
	Wall Support, isosceles	WWU 150	Page 298
	U-Channel U 6040	U 6040	Page 299
	Vertical Cable Ladder, heavy duty version	STIC	Page 300
	Vertical Cable Ladder, heavy duty version	STIW	Page 301
	Rungs for vertical cable ladders	SPW	Page 301
	Wall Support, isosceles	WWI 80	Page 302
	Straight Splice Plate	VBI 80	Page 302
	Bolted Head Plate	KI 80	Page 302
	Bolted Head Plate, crosswise to profile I 80	KIQ 80	Page 302
	Profile I 80	I 80	Page 303

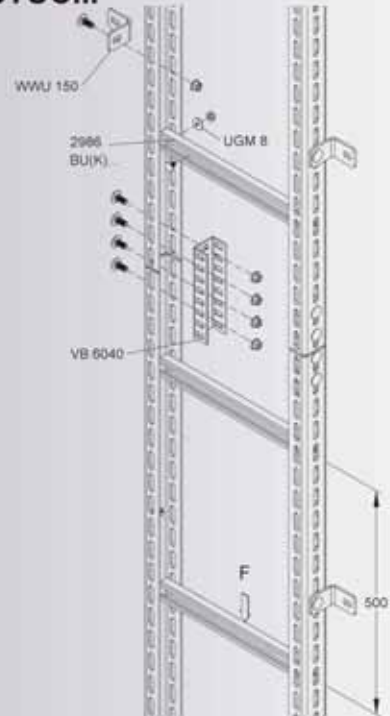
STL...



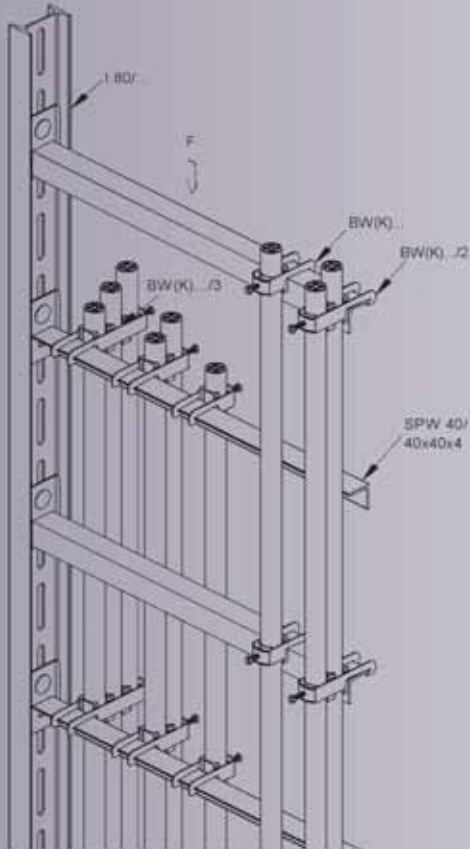
STM...



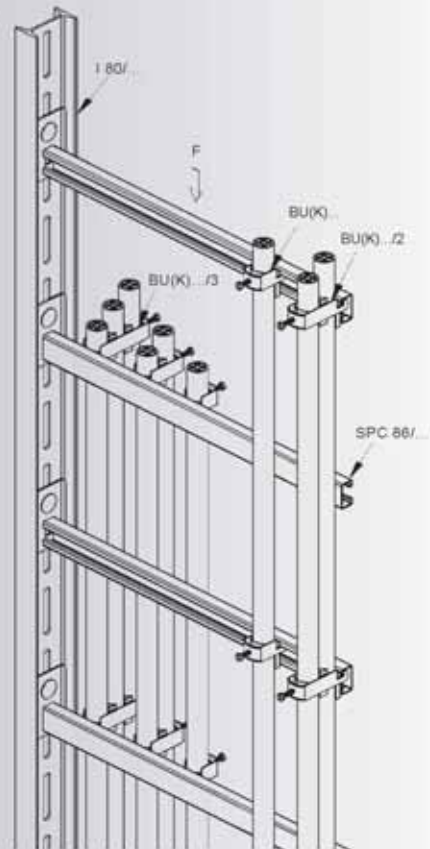
STUC...



STIW...



STIC...



VERTICAL CABLE LADDER SYSTEM

Vertical Cable Ladder

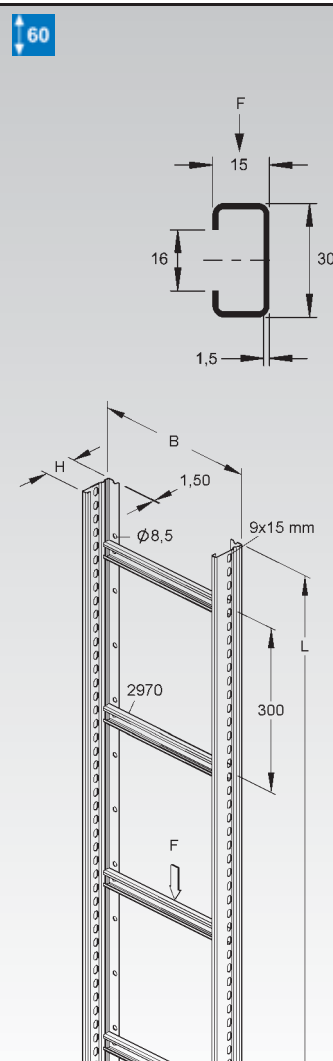
distance between rungs: 300 mm

model no.	height (H)	width B	length (A)	admissible load F	EAN code	Weight per 100 m kg
	mm/Inch	mm/Inch	mm/Inch	kN		
S STL 60.203/3	60/2,3	200/7,8	3000/117	1	921102	270
S STL 60.303/3	60/2,3	300/11,7	3000/117	1	921126	297
S STL 60.403/3	60/2,3	400/15,6	3000/117	1	921140	320
S STL 60.503/3	60/2,3	500/19,5	3000/117	1	921164	347
S STL 60.603/3	60/2,3	600/23,4	3000/117	1	921188	370
S STL 60.203/6	60/2,3	200/7,8	6000/234	1	921300	270
S STL 60.303/6	60/2,3	300/11,7	6000/234	1	921324	295
S STL 60.403/6	60/2,3	400/15,6	6000/234	1	921348	320
S STL 60.503/6	60/2,3	500/19,5	6000/234	1	921362	345
S STL 60.603/6	60/2,3	600/23,4	6000/234	1	921386	370
F STL 60.203/3 F	60/2,3	200/7,8	3000/117	1	921508	274
F STL 60.303/3 F	60/2,3	300/11,7	3000/117	1	921522	304
F STL 60.403/3 F	60/2,3	400/15,6	3000/117	1	921546	330
F STL 60.503/3 F	60/2,3	500/19,5	3000/117	1	921560	357
F STL 60.603/3 F	60/2,3	600/23,4	3000/117	1	921584	384
F STL 60.203/6 F	60/2,3	200/7,8	6000/234	1	921706	274
F STL 60.303/6 F	60/2,3	300/11,7	6000/234	1	921720	302
F STL 60.403/6 F	60/2,3	400/15,6	6000/234	1	921744	330
F STL 60.503/6 F	60/2,3	500/19,5	6000/234	1	921768	355
F STL 60.603/6 F	60/2,3	600/23,4	6000/234	1	921782	382

100 mm center distance for punch holes 11x15 mm in the side rail

Extra holes in the bottom of the side rail (dia. 8.5 mm) for direct bolting to the support structure.

Corresponding yoke clamps (B... and BK...) are listed in a separate section of this catalog.



Vertical Cable Ladder

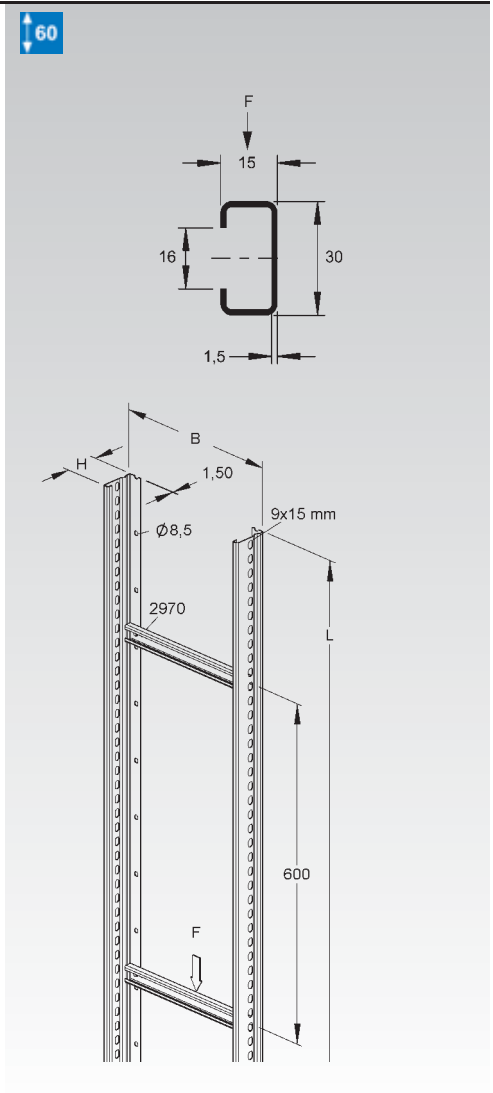
distance between rungs: 600 mm

model no.	height (H) mm/Inch	width B mm/Inch	length (A) mm/Inch	admissible load F kN	EAN code	Weight per 100 m kg
S STL 60.206/3	60/2,3	200/7,8	3000/117	1	921201	247
S STL 60.306/3	60/2,3	300/11,7	3000/117	1	921225	260
S STL 60.406/3	60/2,3	400/15,6	3000/117	1	921249	274
S STL 60.506/3	60/2,3	500/19,5	3000/117	1	921263	284
S STL 60.606/3	60/2,3	600/23,4	3000/117	1	921287	297
S STL 60.206/6	60/2,3	200/7,8	6000/234	1	921409	245
S STL 60.306/6	60/2,3	300/11,7	6000/234	1	921423	260
S STL 60.406/6	60/2,3	400/15,6	6000/234	1	921447	272
S STL 60.506/6	60/2,3	500/19,5	6000/234	1	921461	284
S STL 60.606/6	60/2,3	600/23,4	6000/234	1	921485	300
F STL 60.206/3 F	60/2,3	200/7,8	3000/117	1	921607	250
F STL 60.306/3 F	60/2,3	300/11,7	3000/117	1	921621	264
F STL 60.406/3 F	60/2,3	400/15,6	3000/117	1	921645	277
F STL 60.506/3 F	60/2,3	500/19,5	3000/117	1	921669	290
F STL 60.606/3 F	60/2,3	600/23,4	3000/117	1	921683	304
F STL 60.206/6 F	60/2,3	200/7,8	6000/234	1	921805	249
F STL 60.306/6 F	60/2,3	300/11,7	6000/234	1	921829	262
F STL 60.406/6 F	60/2,3	400/15,6	6000/234	1	921843	275
F STL 60.506/6 F	60/2,3	500/19,5	6000/234	1	921867	290
F STL 60.606/6 F	60/2,3	600/23,4	6000/234	1	921881	304

100 mm center distance for punch holes 11x15 mm in the side rail

Extra holes in the bottom of the side rail (dia. 8.5 mm) for direct bolting to the support structure.

Corresponding yoke clamps (B... and BK...) are listed in a separate section of this catalog.



VERTICAL CABLE LADDER SYSTEM

Vertical Cable Ladder

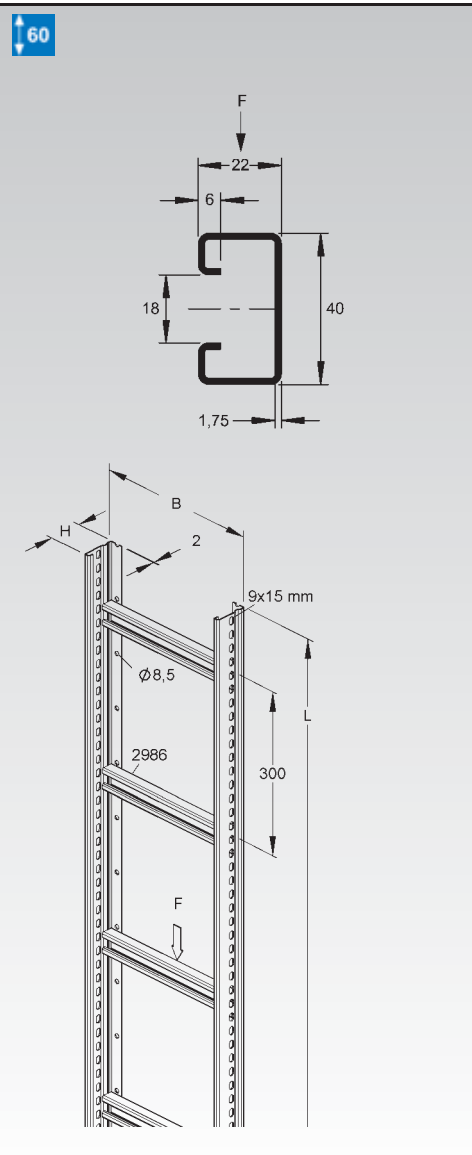
distance between rungs: 300 mm

model no.	height (H) mm/Inch	width B mm/Inch	length (A) mm/Inch	admissible load F kN	EAN code	Weight per 100 m kg
S STM 60.203/3	60/2,3	200/7,8	3000/117	1,75	886401	399
S STM 60.303/3	60/2,3	300/11,7	3000/117	1,75	886425	452
S STM 60.403/3	60/2,3	400/15,6	3000/117	1,75	886449	505
S STM 60.503/3	60/2,3	500/19,5	3000/117	1,75	886463	559
S STM 60.603/3	60/2,3	600/23,4	3000/117	1,75	886487	612
S STM 60.203/6	60/2,3	200/7,8	6000/234	1,75	321308	399
S STM 60.303/6	60/2,3	300/11,7	6000/234	1,75	321407	452
S STM 60.403/6	60/2,3	400/15,6	6000/234	1,75	321506	505
S STM 60.503/6	60/2,3	500/19,5	6000/234	1,75	321605	559
S STM 60.603/6	60/2,3	600/23,4	6000/234	1,75	321704	612
F STM 60.203/3 F	60/2,3	200/7,8	3000/117	1,75	586622	410
F STM 60.303/3 F	60/2,3	300/11,7	3000/117	1,75	586646	460
F STM 60.403/3 F	60/2,3	400/15,6	3000/117	1,75	586660	510
F STM 60.503/3 F	60/2,3	500/19,5	3000/117	1,75	586684	560
F STM 60.603/3 F	60/2,3	600/23,4	3000/117	1,75	586691	610
F STM 60.203/6 F	60/2,3	200/7,8	6000/234	1,75	585601	428,2
F STM 60.303/6 F	60/2,3	300/11,7	6000/234	1,75	585700	485,6
F STM 60.403/6 F	60/2,3	400/15,6	6000/234	1,75	585809	542,9
F STM 60.503/6 F	60/2,3	500/19,5	6000/234	1,75	585908	600,2
F STM 60.603/6 F	60/2,3	600/23,4	6000/234	1,75	586004	657,6

100 mm center distance for punch holes 11x15 mm in the side rail

Extra holes in the bottom of the side rail (dia. 8.5 mm) for direct bolting to the support structure.

Corresponding yoke clamps (BU... and BUK...) are listed in a separate section of this catalog.



Vertical Cable Ladder

distance between rungs: 600 mm

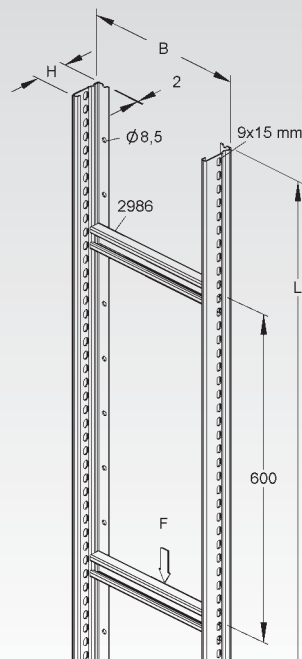
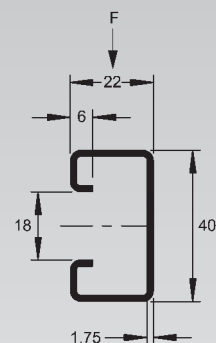
model no.	height (H) mm/Inch	width B mm/Inch	length (A) mm/Inch	admissible load F kN	EAN code	Weight per 100 m kg
S STM 60.206/3	60/2,3	200/7,8	3000/117	1,75	873302	345
S STM 60.306/3	60/2,3	300/11,7	3000/117	1,75	873326	372
S STM 60.406/3	60/2,3	400/15,6	3000/117	1,75	873340	399
S STM 60.506/3	60/2,3	500/19,5	3000/117	1,75	873364	425
S STM 60.606/3	60/2,3	600/23,4	3000/117	1,75	873388	452
S STM 60.206/6	60/2,3	200/7,8	6000/234	1,75	322404	345
S STM 60.306/6	60/2,3	300/11,7	6000/234	1,75	322503	372
S STM 60.406/6	60/2,3	400/15,6	6000/234	1,75	322602	399
S STM 60.506/6	60/2,3	500/19,5	6000/234	1,75	322701	425
S STM 60.606/6	60/2,3	600/23,4	6000/234	1,75	322800	452
F STM 60.206/3 F	60/2,3	200/7,8	3000/117	1,75	916368	360
F STM 60.306/3 F	60/2,3	300/11,7	3000/117	1,75	916382	383
F STM 60.406/3 F	60/2,3	400/15,6	3000/117	1,75	916405	410
F STM 60.506/3 F	60/2,3	500/19,5	3000/117	1,75	916429	433
F STM 60.606/3 F	60/2,3	600/23,4	3000/117	1,75	916443	463
F STM 60.206/6 F	60/2,3	200/7,8	6000/234	1,75	586707	370,9
F STM 60.306/6 F	60/2,3	300/11,7	6000/234	1,75	586806	399,6
F STM 60.406/6 F	60/2,3	400/15,6	6000/234	1,75	586905	428,2
F STM 60.506/6 F	60/2,3	500/19,5	6000/234	1,75	587001	456,9
F STM 60.606/6 F	60/2,3	600/23,4	6000/234	1,75	587100	485,6

100 mm center distance for punch holes 11x15 mm in the side rail

Extra holes in the bottom of the side rail (dia. 8.5 mm) for direct bolting to the support structure.

Corresponding yoke clamps (BU... and BUK...) are listed in a separate section of this catalog.

60



Splice Plate

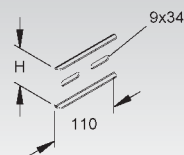
model no.	height (H) mm/Inch	acc. incl.	EAN code	Weight per 100 pc. kg
S KSV 60 S	60/2,3	2 FLM 8x13 F	289875	16
F KSV 60 F	60/2,3	2 FLM 8x13 F	289882	17

for positive locking connections of cable ladders with a side rail height of 60 mm and corresponding fittings

2 pieces required per joint. Please order separately.

Equipotential bonding guaranteed by bolting the splice plate to the side rails of the tray or ladder and the fitting..

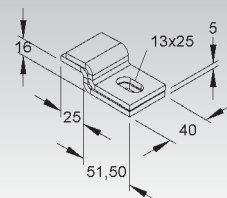
60



Wall Clamp

model no.	EAN code	Weight per 100 pairs kg
F WWS 10	194704	44

for clamping STL... and STM... type vertical cable ladders to the wall



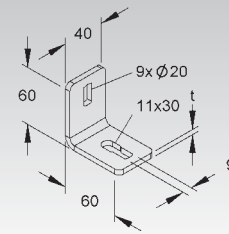
VERTICAL CABLE LADDER SYSTEM

Wall Support

symmetric

model no.	thick-ness (t) mm/Inch	acc. incl.	EAN code	Weight per 100 pc. kg
F WWU 150/8	5	1 FLM 8x16 F	194506	21
E3 WWU 150/8 E3	4	1 FLM 8x16 E3	344307	21

for floor-, ceiling- or wall-mount



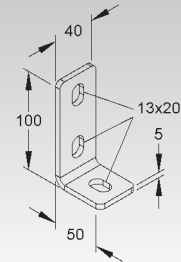
Wall Support

asymmetric

model no.	thick-ness (t) mm/Inch	acc. incl.	EAN code	Weight per 100 pc. kg
F WWA 100	5	1 FLM 10x25 F	194759	30

for floor-, ceiling- or wall-mount

To be used for: U-profile U 50/..., U 5050/..., U 6040/..., U 100/...



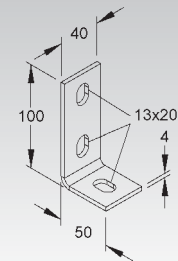
Wall Support

asymmetric

model no.	thick-ness (t) mm/Inch	acc. incl.	EAN code	Weight per 100 pc. kg
E3 WWA 100 E3	4	1 FLM 10x25 E3	344345	19,4

for floor-, ceiling- or wall-mount

To be used for: Stainless Steel U-Profile U 50/..., U 6040/..., U 100/...



Vertical Cable Ladder

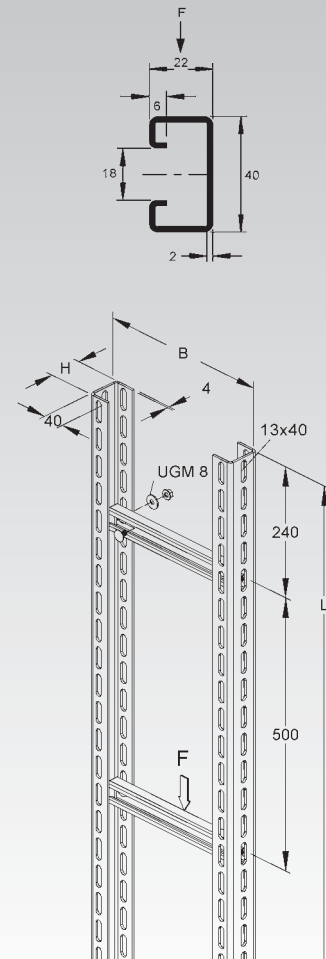
delivered as a kit (not assembled)

	model no.	height (H)	width B	length (A)	admissible load F	EAN code	Weight per 100 m kg
		mm/Inch	mm/Inch	mm/Inch	kN		
★ F	STUC 60/205 F	60/2,3	215/8,4	4500/175,5	1,75	924608	746
★ F	STUC 60/305 F	60/2,3	315/12,3	4500/175,5	1,75	924622	777
★ F	STUC 60/405 F	60/2,3	415/16,2	4500/175,5	1,75	924646	810
★ F	STUC 60/505 F	60/2,3	515/20,1	4500/175,5	1,75	924660	842
★ F	STUC 60/605 F	60/2,3	615/24	4500/175,5	1,75	924684	874
★ F	STUC 60/705 F	60/2,3	715/27,9	4500/175,5	1,75	924707	907
★ F	STUC 60/805 F	60/2,3	815/31,8	4500/175,5	1,75	924721	939
★ F	STUC 60/905 F	60/2,3	915/35,7	4500/175,5	1,75	924745	971
★ F	STUC 60/1005 F	60/2,3	1015/39,6	4500/175,5	1,75	924769	1003
★ F	STUC 60/1105 F	60/2,3	1115/43,5	4500/175,5	1,75	924783	1035
★ F	STUC 60/1205 F	60/2,3	1215/47,4	4500/175,5	1,75	924806	1070
★ E3	STUC 60/205 E3	60/2,3	215/8,4	4500/175,5	1,75	925841	701
★ E3	STUC 60/305 E3	60/2,3	315/12,3	4500/175,5	1,75	925865	731
★ E3	STUC 60/405 E3	60/2,3	415/16,2	4500/175,5	1,75	925889	761
★ E3	STUC 60/505 E3	60/2,3	515/20,1	4500/175,5	1,75	925902	791
★ E3	STUC 60/605 E3	60/2,3	615/24	4500/175,5	1,75	925926	821
★ E3	STUC 60/705 E3	60/2,3	715/27,9	4500/175,5	1,75	925940	847
★ E3	STUC 60/805 E3	60/2,3	815/31,8	4500/175,5	1,75	925964	878
★ E3	STUC 60/905 E3	60/2,3	915/35,7	4500/175,5	1,75	925988	908
★ E3	STUC 60/1005E3	60/2,3	1015/39,6	4500/175,5	1,75	926008	938
★ E3	STUC 60/1105E3	60/2,3	1115/43,5	4500/175,5	1,75	926022	968
★ E3	STUC 60/1205E3	60/2,3	1215/47,4	4500/175,5	1,75	926046	998

50 mm center distance for punch holes 13x40 mm on all 3 sides of the rail

delivered as a kit (not assembled)

Corresponding yoke clamps (BU... and BUK...) are listed in a separate section of this catalog.



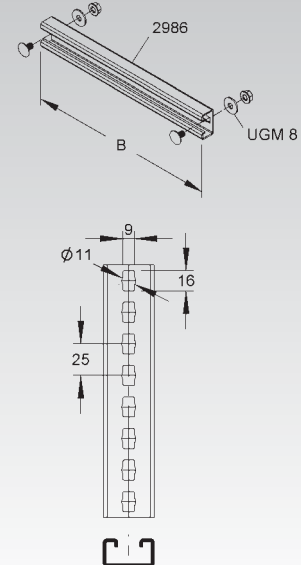
Rungs for Vertical Cable Ladders

C-rail type 2986 (40x22x2), for additional needs

	model no.	width B	admissible load F	acc. incl.	EAN code	Weight per 100 pc. kg
		mm/Inch	kN			
★ F	SPCKL 86/200 F	200/7,8	1,75	2 FLM 8x16 F, 2 UGM 8 F	924820	32
★ F	SPCKL 86/300 F	300/11,7	1,75	2 FLM 8x16 F, 2 UGM 8 F	924844	48
★ F	SPCKL 86/400 F	400/15,6	1,75	2 FLM 8x16 F, 2 UGM 8 F	924868	65
★ F	SPCKL 86/500 F	500/19,5	1,75	2 FLM 8x16 F, 2 UGM 8 F	924882	81
★ F	SPCKL 86/600 F	600/23,4	1,75	2 FLM 8x16 F, 2 UGM 8 F	924905	97
★ F	SPCKL 86/700 F	700/27,3	1,75	2 FLM 8x16 F, 2 UGM 8 F	924929	113
★ F	SPCKL 86/800 F	800/31,2	1,75	2 FLM 8x16 F, 2 UGM 8 F	924943	129
★ F	SPCKL 86/900 F	900/35,1	1,75	2 FLM 8x16 F, 2 UGM 8 F	924967	145
★ F	SPCKL 86/1000F	1000/39	1,75	2 FLM 8x16 F, 2 UGM 8 F	924981	161
★ F	SPCKL 86/1100F	1100/42,9	1,75	2 FLM 8x16 F, 2 UGM 8 F	925001	177
★ F	SPCKL 86/1200F	1200/46,8	1,75	2 FLM 8x16 F, 2 UGM 8 F	925025	194

To be used for: vertical cable ladder STUC 60/...F

Corresponding yoke clamps (BU... and BUK...) are listed in a separate section of this catalog.



VERTICAL CABLE LADDER SYSTEM

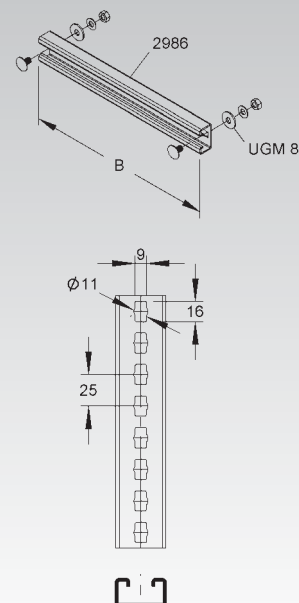
Rungs for Vertical Cable Ladders

C-rail type 2986 (40x22x2), for additional needs

model no.	width B mm/Inch	admissible load F kN	acc. incl.	EAN code	Weight per 100 pc. kg
★ E3 SPCKL 86/200E3	200/7,8	1,75	2 FLM 8x16 E3, 2 UGM 8 E3	926060	30
★ E3 SPCKL 86/300E3	300/11,7	1,75	2 FLM 8x16 E3, 2 UGM 8 E3	926084	45
★ E3 SPCKL 86/400E3	400/15,6	1,75	2 FLM 8x16 E3, 2 UGM 8 E3	926107	60
★ E3 SPCKL 86/500E3	500/19,5	1,75	2 FLM 8x16 E3, 2 UGM 8 E3	926121	75
★ E3 SPCKL 86/600E3	600/23,4	1,75	2 FLM 8x16 E3, 2 UGM 8 E3	926145	90
★ E3 SPCKL 86/700E3	700/27,3	1,75	2 FLM 8x16 E3, 2 UGM 8 E3	926169	105
★ E3 SPCKL 86/800E3	800/31,2	1,75	2 FLM 8x16 E3, 2 UGM 8 E3	926183	120
★ E3 SPCKL 86/900E3	900/35,1	1,75	2 FLM 8x16 E3, 2 UGM 8 E3	926206	135
★ E3 SPCKL86/1000E3	1000/39	1,75	2 FLM 8x16 E3, 2 UGM 8 E3	926220	150
★ E3 SPCKL86/1100E3	1100/42,9	1,75	2 FLM 8x16 E3, 2 UGM 8 E3	926244	165
★ E3 SPCKL86/1200E3	1200/46,8	1,75	2 FLM 8x16 E3, 2 UGM 8 E3	926268	180

To be used for: vertical cable ladder STUC 60/...F

Corresponding yoke clamps (BU... and BUK...) are listed in a separate section of this catalog.

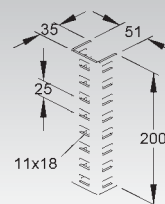


Straight Splice Plate

model no.	acc. incl.	EAN code	Weight per 100 pc. kg
F VB 6040	4 FLM 10x25 F	891788	45
E3 VB 6040 E3	4 FLM 10x25 E3	892143	45

To be used for: profile U 6040/...

Profile perforated with slots (11x18 mm) on all three sides.



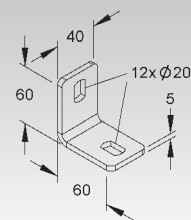
Wall Support

symmetric

model no.	acc. incl.	EAN code	Weight per 100 pc. kg
F WWU 150	1 FLM 10x25 F	194407	20

for floor-, ceiling- or wall-mount

To be used for: U-profile U 50/..., U 5050/ ..., U 6040/..., U 100/...



Profile U 6040

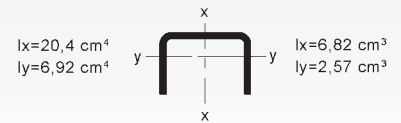
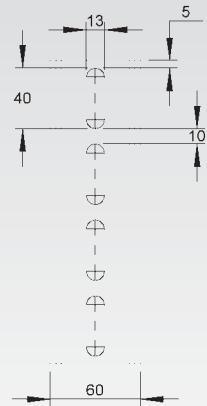
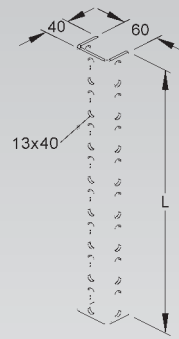
model no.	length (A) mm/Inch	EAN code	Weight per 100 pc. kg
F U 6040/4500 F	4500/175,5	891757	1512
F U 6040/6000 F	6000/234	891764	336

for custom-built overhead hangers and for building support frames

50 mm center distance for punch holes 13x40 mm on all 3 sides of the rail



61



VERTICAL CABLE LADDER SYSTEM

Vertical Cable Ladder

heavy-duty version, delivered as a kit (not assembled)

model no.	height (H) mm/Inch	width B mm/Inch	length (A) mm/Inch	admissible load F kN	acc. incl.	EAN code	Weight per 100 m kg
F STIC 86/206	80/3,1	280/10,9	6000/234	1,75	20 FLM 12x30 F	873203	1325
F STIC 86/306	80/3,1	380/14,8	6000/234	1,75	20 FLM 12x30 F	873227	1366
F STIC 86/406	80/3,1	480/18,7	6000/234	1,75	20 FLM 12x30 F	873241	1408
F STIC 86/506	80/3,1	580/22,6	6000/234	1,75	20 FLM 12x30 F	873265	1450
F STIC 86/606	80/3,1	680/26,5	6000/234	1,75	20 FLM 12x30 F	323500	1491
F STIC 86/706	80/3,1	780/30,4	6000/234	1,75	20 FLM 12x30 F	323609	1533
F STIC 86/806	80/3,1	880/34,3	6000/234	1,75	20 FLM 12x30 F	323708	1575
F STIC 86/906	80/3,1	980/38,2	6000/234	1,75	20 FLM 12x30 F	323807	1614
F STIC 86/1006	80/3,1	1080/42,1	6000/234	1,75	20 FLM 12x30 F	323906	1650
F STIC 86/1106	80/3,1	1180/46	6000/234	1,75	20 FLM 12x30 F	324002	1694
F STIC 86/1206	80/3,1	1280/49,9	6000/234	1,75	20 FLM 12x30 F	324101	1734

side rails are made of I80 profiles (DIN 1025 compliant), rungs are made of C-profile type 2986

100 mm center distance for square punch holes 13x75 mm

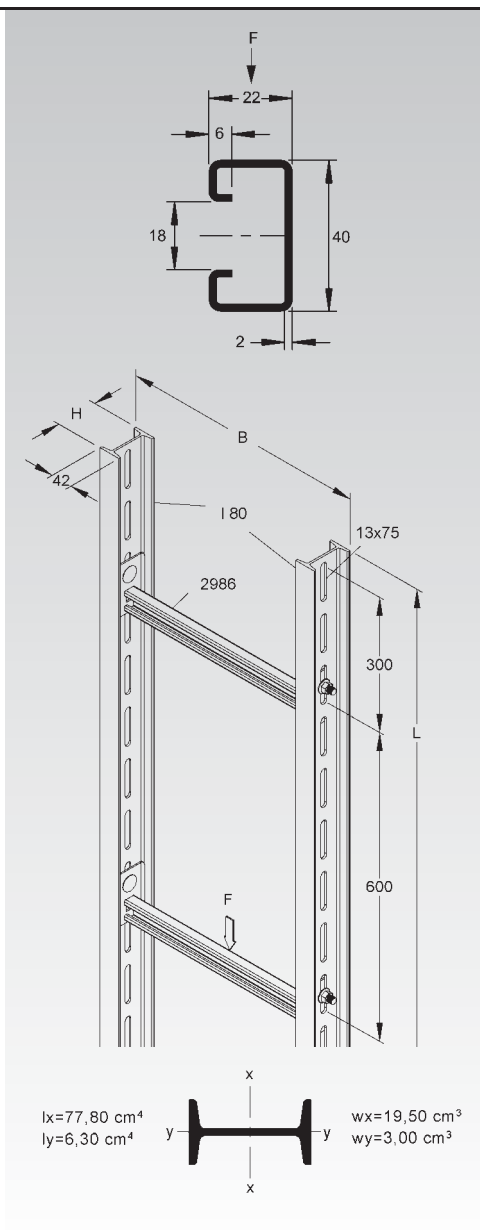
Additional rungs can be installed due to continuously perforated side rails (ex. reverse for holding cables on both sides of the ladder).

Cable ladder is available in 3 meter length as well. The price per meter remains the same.

For proper shipping ladders will be delivered as a kit (not assembled). Kit is made of 2 side rails of 6 meter length, 10 rungs and hardware.

Splice plates and other accessories for mounting have to be ordered separately.

Corresponding yoke clamps (BU... and BUK...) are listed in a separate section of this catalog.



Vertical Cable Ladder

heavy-duty version, delivered as a kit (not assembled)

model no.	height (H) mm/Inch	width B mm/Inch	length (A) mm/Inch	admissible load F kN	acc. incl.	EAN code	Weight per 100 m kg
F STIW 40/606	80/3,1	680/26,5	6000/234	2,5	20 FLM 12x30 F	324200	1510
F STIW 40/706	80/3,1	780/30,4	6000/234	2,5	20 FLM 12x30 F	324309	1554
F STIW 40/806	80/3,1	880/34,3	6000/234	2,5	20 FLM 12x30 F	324408	1597
F STIW 40/906	80/3,1	980/38,2	6000/234	2,5	20 FLM 12x30 F	324507	1640
F STIW 40/1006	80/3,1	1080/42,1	6000/234	2,5	20 FLM 12x30 F	324606	1684
F STIW 40/1106	80/3,1	1180/46	6000/234	2,5	20 FLM 12x30 F	324705	1727
F STIW 40/1206	80/3,1	1280/49,9	6000/234	2,5	20 FLM 12x30 F	324804	1770

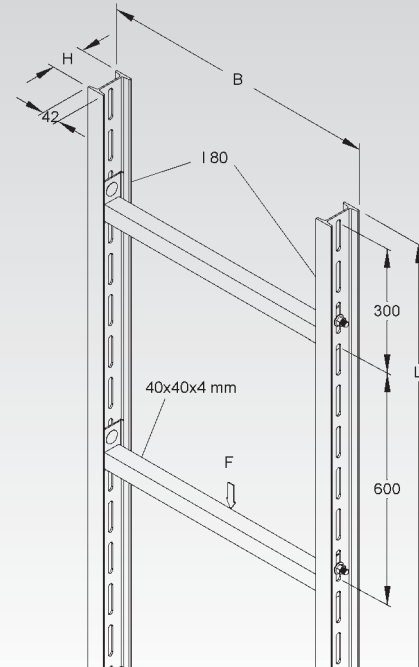
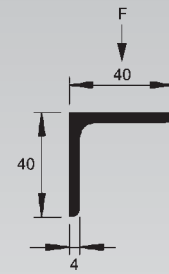
side rails are made of I80 profiles (DIN 1025 compliant), rungs are made of angle iron 40x40x4 mm (DIN 1028 compliant).

Additional rungs can be installed due to continuously perforated side rails (ex. reverse for holding cables on both sides of the ladder).

Cable ladder is available in 3 meter length as well. The price per meter remains the same.

For proper shipping ladders will be delivered as a kit (not assembled). Kit is made of 2 side rails of 6 meter length, 10 rungs and hardware.

Corresponding yoke clamps (BW... and BWK...) are listed in a separate section of this catalog.



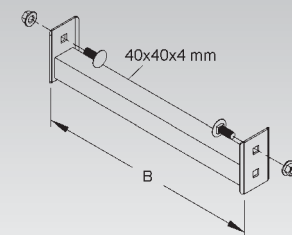
Rungs for Vertical Cable Ladders

rungs are made of RHS 40x40x4 mm (DIN 1028 compliant)

model no.	width B mm/Inch	admissible load F kN	acc. incl.	EAN code	Weight per 100 pc. kg
F SPW 40/600	634/24,7	2,5	2 FLM 12x30 F	324903	186
F SPW 40/700	734/28,6	2,5	2 FLM 12x30 F	325009	212
F SPW 40/800	834/32,5	2,5	2 FLM 12x30 F	325108	238
F SPW 40/900	934/36,4	2,5	2 FLM 12x30 F	325207	264
F SPW 40/1000	1034/40,3	2,5	2 FLM 12x30 F	325306	290
F SPW 40/1100	1134/44,2	2,5	2 FLM 12x30 F	325405	316
F SPW 40/1200	1234/48,1	2,5	2 FLM 12x30 F	325504	342

To be used for: vertical cable ladder STIW 40/...

Corresponding yoke clamps (BW... and BWK...) are listed in a separate section of this catalog.



VERTICAL CABLE LADDER SYSTEM

Wall Support

symmetric

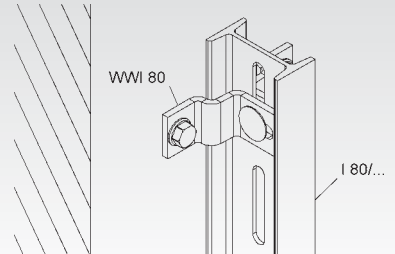
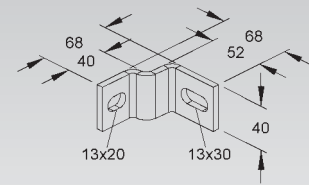
model no.	acc. incl.	EAN code	Weight per 100 pc. kg
F WWI 80	1 FLM 12x30 F	193004	26,7

for mounting I 80/... profiles to the wall

To be used for: profile I 80/..., overhead hangers HI 80/... and vertical cable ladders of type STIC.... and STIW...



59

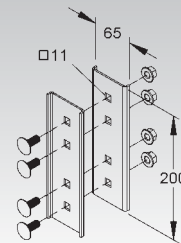


Straight Splice Plate

model no.	acc. incl.	EAN code	Weight per 100 pairs kg
F VBI 80	4 FLM 10x25 F	199501	152

4 pieces required per joint

To be used for: profile I 80/... and overhead hanger HI 80/...



Head Plate

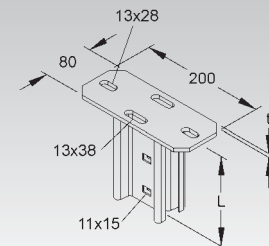
model no.	Total length L mm/Inch	thickness of the head plate (t) mm/Inch	acc. incl.	EAN code	Weight per 100 pc. kg
F KI 80	151/5,9	6	2 FLM 10x25 F	192908	150

for mounting on horizontal ceilings

Thickness of headplate is included in total length indicated.

To be used for: profile I 80/...

152 mm center distance for long holes 13x28 mm in the head plate of the hanger
50 mm center distance for long holes 13x38 mm in the head plate



Head Plate

crosswise to profile I 80

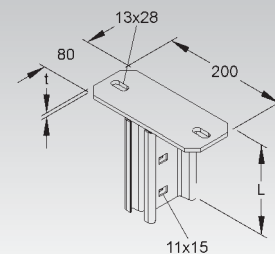
model no.	Total length L mm/Inch	thickness of the head plate (t) mm/Inch	acc. incl.	EAN code	Weight per 100 pc. kg
F KIQ 80	151/5,9	6	2 FLM 10x25 F	903009	134

for mounting on horizontal ceilings

Thickness of headplate is included in total length indicated.

To be used for: profile I 80/...

152 mm center distance for long holes 13x28 mm in the head plate of the hanger



Profile I 80

according to DIN 1025 standard

model no.	length (A) mm/inch	EAN code	Weight per 100 m kg
F I 80/3000	3000/117	181407	600
F I 80/6000	6000/234	181506	600

for custom-built overhead hangers, vertical cable ladders STIC/STIW and for building support frames

