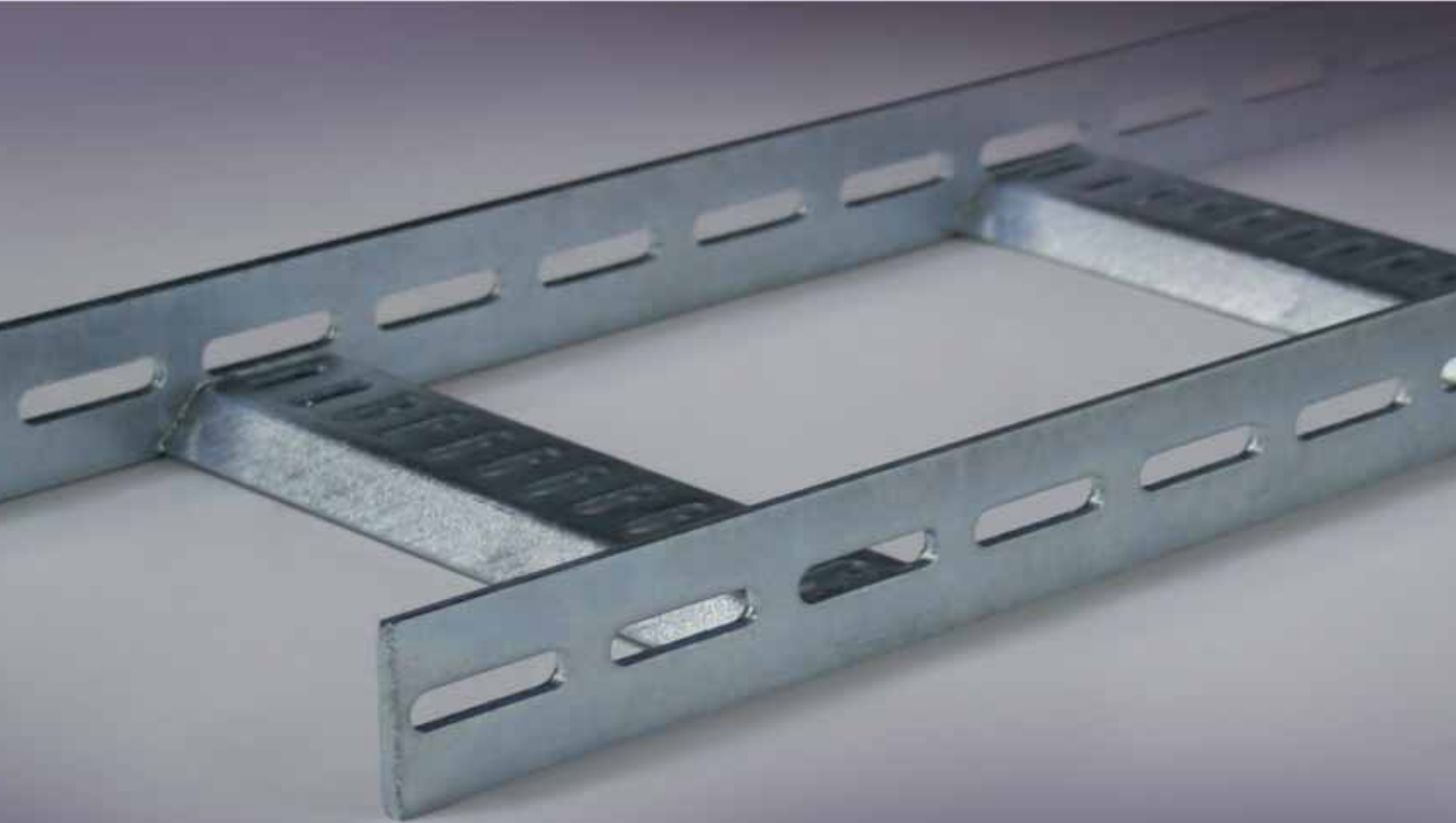


### Marine Cable Ladder System

-  Cable Ladder
-  Rungs
-  Splice Plates



The Niedax Marine Cable Ladder was originally designed for shipbuilding only. Today the marine ladder is used in many different areas, for example in power plants, refineries, heavy industry and in tunnels.

Heavy duty perforated siderails allow welding and/or bolting to support structures. Cables can be banded very easy to the slotted rungs using plastic or stainless steel cable ties.



# MARINE CABLE LADDER SYSTEM

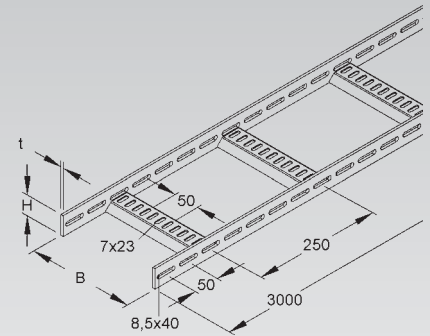
## Load / Span Class Designation in accordance with NEMA VE 1 and CSA E22.2 No. 126.1

NIEDAX Series	Minimum Area		Load class in accordance to NEMA VE 1		
	(calculational) mm <sup>2</sup> / in. <sup>2</sup>	in accordance to NEMA VE 2 mm <sup>2</sup> / in. <sup>2</sup>	Rated Load Kg/m / lb./ft.	Support spacing m / ft.	Load/Span Class
KLMULX 40.100 ...F	400 / 0.62	258 / 0.40	175 / 117.6	2 / 6.6	C
KLMULX 40.150 ...F	400 / 0.62	258 / 0.40	175 / 117.6	2 / 6.6	C
KLMULX 40.200 ...F	400 / 0.62	258 / 0.40	175 / 117.6	2 / 6.6	C
KLMULX 40.250 ...F	400 / 0.62	258 / 0.40	175 / 117.6	2 / 6.6	C
KLMULX 40.300 ...F	400 / 0.62	258 / 0.40	175 / 117.6	2 / 6.6	C
KLMULX 40.400 ...F	400 / 0.62	258 / 0.40	175 / 117.6	2 / 6.6	C
KLMULX 40.500 ...F	400 / 0.62	258 / 0.40	175 / 117.6	2 / 6.6	C
KLMULX 40.600 ...F	400 / 0.62	258 / 0.40	175 / 117.6	2 / 6.6	C
KLMULX 40.700 ...F	400 / 0.62	258 / 0.40	175 / 117.6	2 / 6.6	C
KLMULX 40.800 ...F	400 / 0.62	258 / 0.40	175 / 117.6	2 / 6.6	C
KLMULX 40.900 ...F	400 / 0.62	258 / 0.40	175 / 117.6	2 / 6.6	C
KLMULX 40.1000 ...F	400 / 0.62	258 / 0.40	190 / 127.7	2 / 6.6	C

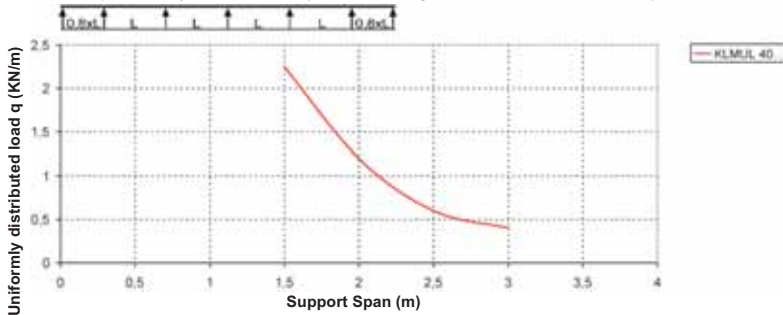
## Marine Cable Ladder

	model no.	height (H) mm/Inch	width B mm/Inch	thick-ness (t) mm/Inch	EAN code	Weight per 100 m kg	
★	F	KLMUL 40.100 F	40/1,6	110/4,3	5	932825	324,2
★	F	KLMUL 40.150 F	40/1,6	160/6,2	5	932849	345
★	F	KLMUL 40.200 F	40/1,6	210/8,2	5	932863	356,5
★	F	KLMUL 40.250 F	40/1,6	260/10,1	5	932887	386,4
★	F	KLMUL 40.300 F	40/1,6	310/12,1	5	932900	407,1
★	F	KLMUL 40.400 F	40/1,6	410/16	5	932924	448,5
★	F	KLMUL 40.500 F	40/1,6	510/19,9	5	932948	490
★	F	KLMUL 40.600 F	40/1,6	610/23,8	5	932962	531,4
★	F	KLMUL 40.700 F	40/1,6	710/27,7	5	932986	572,8
★	F	KLMUL 40.800 F	40/1,6	810/31,6	5	933006	614,3
★	F	KLMUL 40.900 F	40/1,6	910/35,5	5	933020	655,7
★	F	KLMUL 40.1000F	40/1,6	1010/39,4	5	933044	697,1

40



Load Chart: q = uniformly distributed load (tested according to DIN EN IEC 61537 standard)

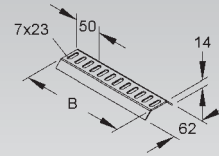


Specified load ratings are independent of splice plate location.

## Trapeze Rungs

	model no.	width B mm/Inch	EAN code	Weight per 100 pc. kg
B	SPM 100	100/3,9	298907	10,9
B	SPM 150	150/5,8	299003	16,5
B	SPM 200	200/7,8	299102	22
B	SPM 250	250/9,8	299201	27,5
B	SPM 300	300/11,7	299300	33
B	SPM 400	400/15,6	299409	44
B	SPM 500	500/19,5	299508	55
B	SPM 600	600/23,4	299607	66
B	SPM 700	700/27,3	299706	77
B	SPM 800	800/31,2	299805	88,9
B	SPM 900	900/35,1	299904	99
B	SPM 1000	1000/39	300006	109

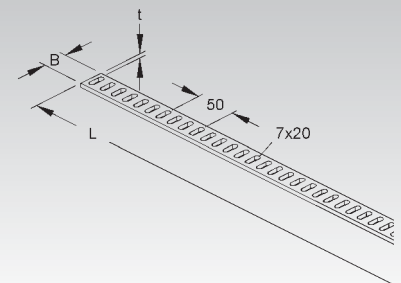
supplementary rung, for welding into the marine cable ladder



## Rungs

	model no.	width B mm/Inch	thick-ness (t) mm/Inch	length (A) mm/Inch	EAN code	Weight per 100 m kg
B	SPM 30X5/3B	30/1,2	5	3000/117	300204	83
F	SPM 30X5/3F	30/1,2	5	3000/117	300303	85

additional flat steel rung, for welding into the marine cable ladder

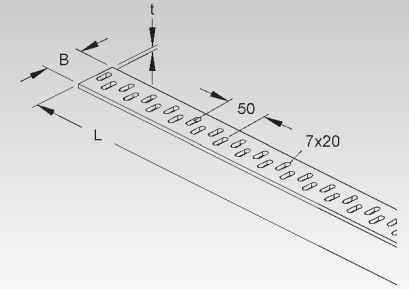


# MARINE CABLE LADDER SYSTEM

## Rungs

model no.	width B mm/Inch	thick-ness (t) mm/Inch	length (A) mm/Inch	EAN code	Weight per 100 m kg
B SPM 50X5/3B	50/2	5	3000/117	300402	162
F SPM 50X5/3F	50/2	5	3000/117	300501	164

additional flat steel rung, for welding into the marine cable ladder



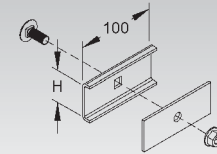
## Splice Plate

model no.	height (H) mm/Inch	EAN code	Weight per 100 pc. kg
F KLMV 40	41/1,6	298808	27

for positive locking connections of the marine cable ladder

2 pieces required per joint

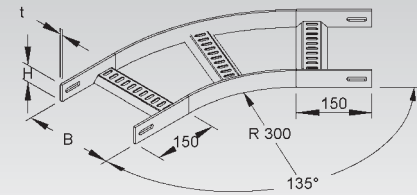
Equipotential bonding guaranteed by bolting the side rails together.



## Elbow 45°

model no.	height (H) mm/Inch	width B mm/Inch	thick-ness (t) mm/Inch	EAN code	Weight per 100 pc. kg
★ F KLMUBB 40.100F	40/1,6	100/3,9	5	935109	220,4
★ F KLMUBB 40.150F	40/1,6	150/5,8	5	935116	242,5
★ F KLMUBB 40.200F	40/1,6	200/7,8	5	935123	264,7
★ F KLMUBB 40.250F	40/1,6	250/9,8	5	935130	286,9
★ F KLMUBB 40.300F	40/1,6	300/11,7	5	935147	309,1
★ F KLMUBB 40.400F	40/1,6	400/15,6	5	935154	353,4
★ F KLMUBB 40.500F	40/1,6	500/19,5	5	935161	397,8
★ F KLMUBB 40.600F	40/1,6	600/23,4	5	935178	442
★ F KLMUBB 40.700F	40/1,6	700/27,3	5	935185	486,3
★ F KLMUBB 40.800F	40/1,6	800/31,2	5	935192	530,7
★ F KLMUBB 40.900F	40/1,6	900/35,1	5	935208	575
★ F KLMUBB40.1000F	40/1,6	1000/39	5	935215	619,3

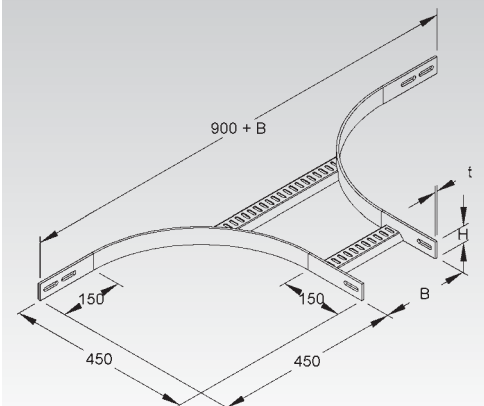
40



## Extension Horizontal Tee

model no.	height (H) mm/Inch	width B mm/Inch	thick-ness (t) mm/Inch	acc. incl.	EAN code	Weight per 100 pc. kg
★ F KLMUAT 40.100F	40/1,6	100/3,9	5	4 FLM 8x25 F	935222	290
★ F KLMUAT 40.150F	40/1,6	150/5,8	5	4 FLM 8x25 F	935239	300,4
★ F KLMUAT 40.200F	40/1,6	200/7,8	5	4 FLM 8x25 F	935246	310,7
★ F KLMUAT 40.250F	40/1,6	250/9,8	5	4 FLM 8x25 F	935253	321
★ F KLMUAT 40.300F	40/1,6	300/11,7	5	4 FLM 8x25 F	935260	331,4
★ F KLMUAT 40.400F	40/1,6	400/15,6	5	4 FLM 8x25 F	935277	352,2
★ F KLMUAT 40.500F	40/1,6	500/19,5	5	4 FLM 8x25 F	935284	372,9
★ F KLMUAT 40.600F	40/1,6	600/23,4	5	4 FLM 8x25 F	935291	393,6
★ F KLMUAT 40.700F	40/1,6	700/27,3	5	4 FLM 8x25 F	935307	414,3
★ F KLMUAT 40.800F	40/1,6	800/31,2	5	4 FLM 8x25 F	935314	435,1
★ F KLMUAT 40.900F	40/1,6	900/35,1	5	4 FLM 8x25 F	935321	455,7
★ F KLMUAT40.1000F	40/1,6	1000/39	5	4 FLM 8x25 F	935338	476,4

40



## Mushroom Head Bolt, similar to DIN 603 Standard

model no.	thread	length (A) mm/Inch	strength category	EAN code	Weight per 100 pc. kg
F FLM 8 X 25 F	M8	25/1	8.8	206803	2,8

HDG finish, flange nut included



