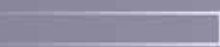
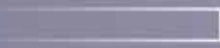




## Cable Ladder System

-  Cable Ladder
-  Fittings
-  Covers
-  Accessories



All straight sections of cable tray as well as their corresponding system components (fittings, splice plates, covers, ...) are classified by UL in accordance with NEMA VE 1 for the USA and CSA E22.2 No. 126.1 for Canada.

Please add an 'X' after the first sequence of characters in the part number to get your products labeled for UL conformity (f.e. RLV 60.200 becomes RLVX 60.200 or GRS 110.300 becomes GR SX 110.300).



Cable ladders are ideal to install large volumes of heavy duty power cables. The long rung spacing means full free air rating of cables. Higher current flow can be achieved at the same cable cross-section. Overheating and consecutive damaging of cables is avoided.

The new shape of the side rail allows higher cable loads at similar support spans, the continuous perforation in the siderails guarantees easy mounting of fittings. Cables can be installed and fixed to the rungs using appropriate yoke clamps.

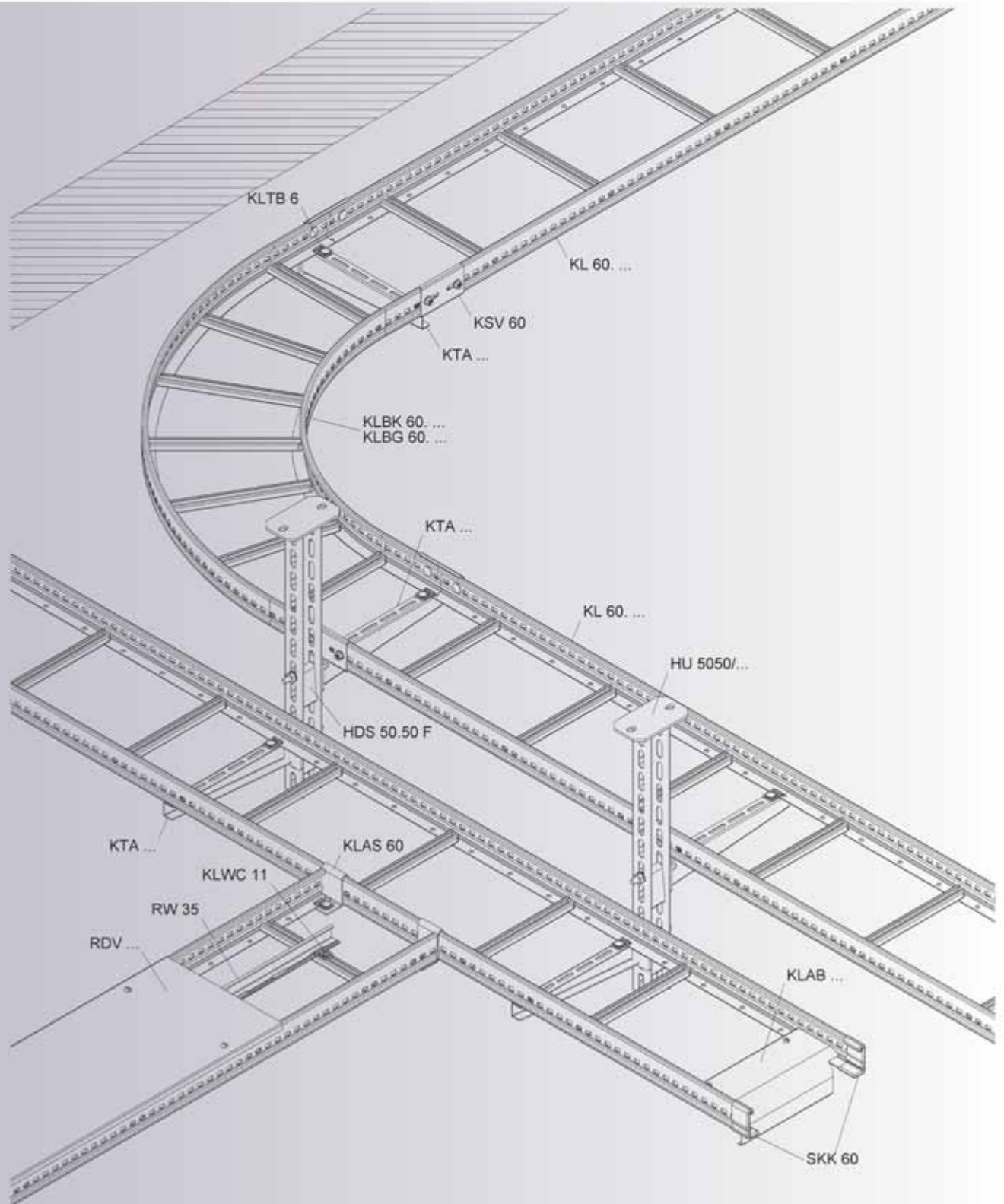
Niedax Cable ladders can be slit together to minimize transport and storage volume needs.



## Available Side Rail Heights

SYSTEM	Cable Ladder	<b>KL</b>	Page 254
ACCESSORIES	Splice Plate	<b>KSV 60</b>	Page 254
	Barrier Strip	<b>RW 35</b>	Page 255
	Splice Plate for Barrier Strip	<b>RTV 35</b>	Page 255
	Mounting Clamp for Barrier Strip	<b>KLWC 11</b>	Page 255
	Extension Horizontal Tee	<b>KLTA</b>	Page 256
	Tee-down, at the right	<b>KLAR</b>	Page 256
	Tee-down, on the left	<b>KLAL</b>	Page 256
	Elbow	<b>KLE</b>	Page 257
	Horizontal Tee	<b>KLT</b>	Page 257
	Horizontal Cross	<b>KLK</b>	Page 257
	Horizontal Elbow 90°, small	<b>KLBK</b>	Page 258
	Large Elbow 90°	<b>KLBG</b>	Page 258
	Vertical Adjustable Splice Plate	<b>KWV 60</b>	Page 259
	Adjustable Elbow	<b>KGS</b>	Page 259
	Adjustable Splice Plate	<b>KGV 60</b>	Page 259
	Cable Ladder Connection Piece	<b>KLAS 60</b>	Page 259
	Pair of Protective Caps	<b>SKK 60</b>	Page 260
	Corner Plate	<b>KLEB</b>	Page 269
	Ladder Drop-out	<b>KLAB</b>	Page 269
	Cable Ladder Mounting Device	<b>KLTB 6</b>	Page 269
	Wall Support, isosceles	<b>WWU 150/8</b>	Page 269
	Wall Support, asymmetric	<b>WWA 100</b>	Page 269
	Cover for Cable Tray/Ladder	<b>RD</b>	Page 270
	Cover for Cable Tray/Ladder, with turnbolt locks	<b>RDV</b>	Page 271

Cable Ladders and Fittings are manufactured.



## Cable Ladder Specifications:

### A. CABLE TRAY DESIGN

1. Cable Tray shall be made of straight sections, fittings and accessories as defined in the latest NEMA standards per NEMA VE-1. Standard cable trays shall be UL classified as equipment grounding conductors.

### B. MATERIAL

1. **Pre-galvanized steel.** The structural quality of the steel shall meet the minimum yield and tensile strength of the ASTM standards (ASTM A 653) with G 90 coating thickness. All cable trays to be labeled for material identification purposes.
2. **Hot dipped galvanized steel.** All trays to be hot-dipped galvanized in accordance with ASTM A123. All trays to be labeled for material identification.
3. **Stainless steel.** All trays are to be constructed of AISA type 304 or 316 stainless steel. All trays to be labeled for material identification.

### C. TRAY TYPES

1. **Ladder cable tray.** Ladder shall consist of two side-rails with rungs riveted to the bottom flange of the side-rails. Rungs shall be spaced 8" or 12" (200 or 300 mm) on center. Rungs shall not protrude below the bottom of the side-rail.
2. **Allround Ladder cable tray.** Ladder shall consist of two side-rails with rungs welded to the side-rails. Rungs shall be spaced 10" (250 mm) on center. Rungs shall not protrude below the bottom of the side-rail.

### D. TRAY SIZE

1. **Height:** Ladder shall have an overall height of 2.3" and 4" (60 and 100 mm). Minimum load depth shall be 2" and 3.5" (50 and 90 mm).
2. **Width:** Widths shall be 8", 12", 16", 20" and 24" (200, 300, 400, 500 and 600 mm)
3. **Length:** Length shall be a nominal 10' or 3 meters and 20' or 6 meters

### E. ACCESSORIES

1. **Covers.** Covers shall be supplied to protect tray cable where needed. Covers will be solid and contain three pair of turn-bolt locks to secure the covers to the lips of the cable tray, requiring only the use of a slotted screwdriver.
2. **Splice plates.** Splice plates shall fasten to the outside of the cable tray side-rails and wrap around and snap onto each section of tray. Bolts and nuts are used to fasten to the tray and are included with splice plates. Plates shall not exceed the NEMA VE-1 resistance of 330 micro ohms.
3. **Other accessories** shall be furnished as required to protect, support, and install a cable tray system. Fittings shall made of the same material as the cable tray whenever possible. Fittings can be of factory construction or also be of a type that allows field constructed fittings.

### F. LOADING CAPABILITIES

1. Cable tray shall meet the load/span class designation in accordance with NEMA VE 1 and CSA E22.2 No 126.1. Cable tray shall also meet load/span designation in accordance with IEC 61537

### G. DESIGN AND MANUFACTURE

1. Cable tray design shall be manufactured by The Niedax Group, KLX, KRC and KRO series.

**Load / Span Class Designation in accordance  
with NEMA VE 1 and CSA E22.2 No. 126.1**

NIEDAX Series	Minimum Area		Load class in accordance to NEMA VE 1		
	(calculational) mm <sup>2</sup> / in. <sup>2</sup>	in accordance to NEMA VE 2 mm <sup>2</sup> / in. <sup>2</sup>	Rated Load Kg/m / lb./ft.	Support spacing m / ft.	Load/Span Class
KLX 60.203, ... F	279.0 / 0.43	258 / 0.4	113 / 75.9	2 / 6.6	8A, A
KLX 60.303, ... F	279.0 / 0.43	258 / 0.4	113 / 75.9	2 / 6.6	8A, A
KLX 60.403, ... F	279.0 / 0.43	258 / 0.4	113 / 75.9	2 / 6.6	8A, A
KLX 60.503, ... F	279.0 / 0.43	258 / 0.4	113 / 75.9	2 / 6.6	8A, A
KLX 60.603, ... F	279.0 / 0.43	258 / 0.4	113 / 75.9	2 / 6.6	8A, A
KLX 60.203 E3, ... E5	252.0 / 0.39	129 / 0.2	113 / 75.9	2 / 6.6	8A, A
KLX 60.303 E3, ... E5	252.0 / 0.39	129 / 0.2	113 / 75.9	2 / 6.6	8A, A
KLX 60.403 E3, ... E5	252.0 / 0.39	129 / 0.2	113 / 75.9	2 / 6.6	8A, A
KLX 60.503 E3, ... E5	252.0 / 0.39	129 / 0.2	113 / 75.9	2 / 6.6	8A, A
KLX 60.603 E3, ... E5	252.0 / 0.39	129 / 0.2	113 / 75.9	2 / 6.6	8A, A
KLX 60.206 E3	252.0 / 0.39	129 / 0.2	113 / 75.9	2 / 6.6	8A, A
KLX 60.306 E3	252.0 / 0.39	129 / 0.2	113 / 75.9	2 / 6.6	8A, A
KLX 60.406 E3	252.0 / 0.39	129 / 0.2	113 / 75.9	2 / 6.6	8A, A
KLX 60.506 E3	252.0 / 0.39	129 / 0.2	113 / 75.9	2 / 6.6	8A, A
KLX 60.606 E3	252.0 / 0.39	129 / 0.2	113 / 75.9	2 / 6.6	8A, A
KLX 100.203, ... F	414.0 / 0.64	258 / 0.4	106.5 / 71.6	2 / 6.6	8A, A
KLX 100.303, ... F	414.0 / 0.64	258 / 0.4	106.5 / 71.6	2 / 6.6	8A, A
KLX 100.403, ... F	414.0 / 0.64	258 / 0.4	106.5 / 71.6	2 / 6.6	8A, A
KLX 100.503, ... F	414.0 / 0.64	258 / 0.4	106.5 / 71.6	2 / 6.6	8A, A
KLX 100.603, ... F	414.0 / 0.64	258 / 0.4	106.5 / 71.6	2 / 6.6	8A, A

# CABLE LADDER SYSTEM

## Cable Ladder

distance between rungs: 300 mm

model no.	height (H) mm/Inch	width B mm/Inch	thick-ness (t) mm/Inch	delivery length m	EAN code	Weight per 100 m kg
S KL 60.203	60/2,3	200/7,8	1,5	6	288007	250
S KL 60.303	60/2,3	300/11,7	1,5	6	288106	260
S KL 60.403	60/2,3	400/15,6	1,5	6	288205	275
S KL 60.503	60/2,3	500/19,5	1,5	6	288304	320
S KL 60.603	60/2,3	600/23,4	1,5	6	288403	340
F KL 60.203 F	60/2,3	200/7,8	1,5	6	569908	250
F KL 60.303 F	60/2,3	300/11,7	1,5	6	570003	260
F KL 60.403 F	60/2,3	400/15,6	1,5	6	570102	275
F KL 60.503 F	60/2,3	500/19,5	1,5	6	570201	320
F KL 60.603 F	60/2,3	600/23,4	1,5	6	570300	340
E3 KL 60.203 E3	60/2,3	200/7,8	1,5	6	340705	257
E3 KL 60.303 E3	60/2,3	300/11,7	1,5	6	340804	282
E3 KL 60.403 E3	60/2,3	400/15,6	1,5	6	340903	307
E3 KL 60.503 E3	60/2,3	500/19,5	1,5	6	341009	332
E3 KL 60.603 E3	60/2,3	600/23,4	1,5	6	341108	357
E5 KL 60.203 E5	60/2,3	200/7,8	1,5	6	730001	257
E5 KL 60.303 E5	60/2,3	300/11,7	1,5	6	730100	282
E5 KL 60.403 E5	60/2,3	400/15,6	1,5	6	730209	307
E5 KL 60.503 E5	60/2,3	500/19,5	1,5	6	730223	332
E5 KL 60.603 E5	60/2,3	600/23,4	1,5	6	730247	357

perforated side rails with extra punch holes (diameter 8.5 mm) in the bottom , C-rail rungs with 11 mm slot width riveted to the side rails

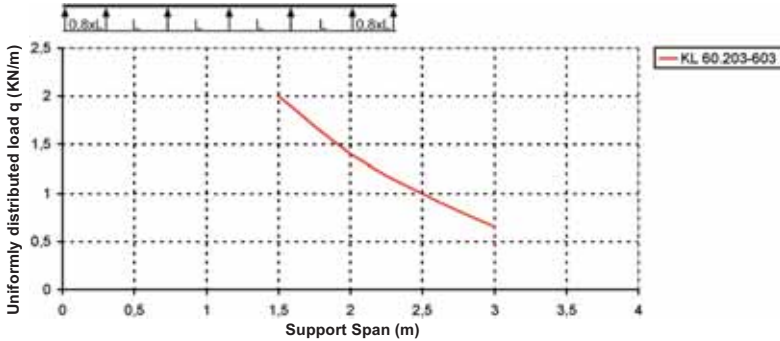
**HDG finish, bottom of side rails non perforated**

25 mm center distance for punch holes 9x15 mm

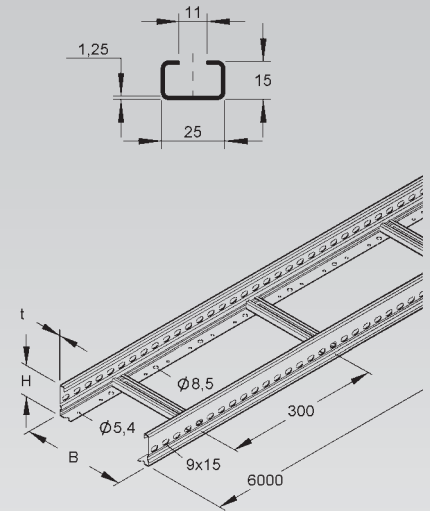
Cable ladder is available in 3 meter length as well.

Corresponding yoke clamps (BA... and BAK...) are listed in a separate section of this catalog.

Load Chart: q = uniformly distributed load (tested according to DIN EN IEC 61537 standard)



60



## Splice Plate

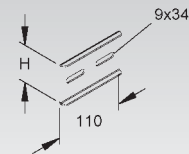
model no.	height (H) mm/Inch	acc. incl.	EAN code	Weight per 100 pc. kg
S KSV 60 S	60/2,3	2 FLM 8x13 F	289875	16
F KSV 60 F	60/2,3	2 FLM 8x13 F	289882	17
E3 KSV 60 E3	60/2,3	2 FLM 8x16 E3	341757	14
E5 KSV 60 E5	60/2,3	2 SKM 8x16 E5	730322	14

for positive locking connections of cable ladders with a side rail height of 60 mm and corresponding fittings

**2 pieces required per joint. Please order separately.**

Equipotential bonding guaranteed by bolting the splice plate to the side rails of the tray or ladder and the fitting..

60

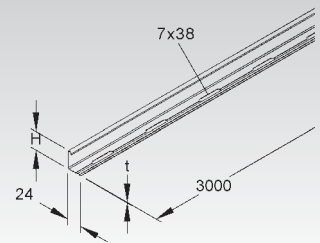
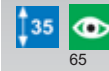


### Barrier Strip

model no.	height (H) mm/Inch	thick-ness (t) mm/Inch	acc. incl.	EAN code	Weight per 100 m kg
<b>S</b> RW 35	30/1,2	0,75	4 FLM 6x12	213504	35
<b>F</b> RW 35 F	30/1,2	0,75	4 FLM 6x12 F	213603	35
<b>E3</b> RW 35 E3	30/1,2	0,8	4 FLM 6x12 E3	333325	50

to separate wires and cables of different voltage levels or with different functions

Continuous perforation allows mounting without gradation. Slots (7x38 mm) are spaced at 100 mm.

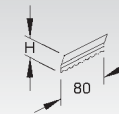


### Splice Plate for Barrier Strip

model no.	height (H) mm/Inch	length (A) mm/Inch	EAN code	Weight per 100 pc. kg
<b>E2</b> RTV 35 E2	29/1,1	80/3,1	213658	1

for positive locking connections of barrier strips with proper electrical conductivity

Barrier strips are connected by means of a special splice plate.



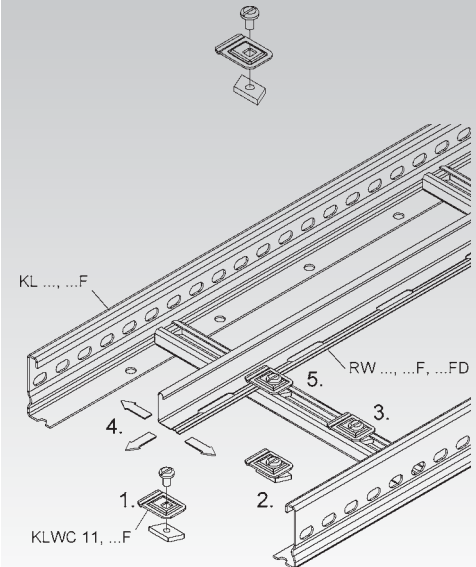
### Mounting Clamp for Barrier Strip

model no.	acc. incl.	EAN code	Weight per 100 pc. kg
<b>G</b> KLWC 11	1 FK 6x10, GSM 306	289608	2
<b>F</b> KLWC 11 F	1 FK 6x10 E3, GSM 306 E3	570409	3
<b>E3</b> KLWC 11 E3	1 FK 6x10 E3, GSM 306 E3	341627	3

for attaching barrier strips into the rungs of the long span ladder (slot width 11 mm)

To be used for: barrier strip RW...

insertable at any position of the rail





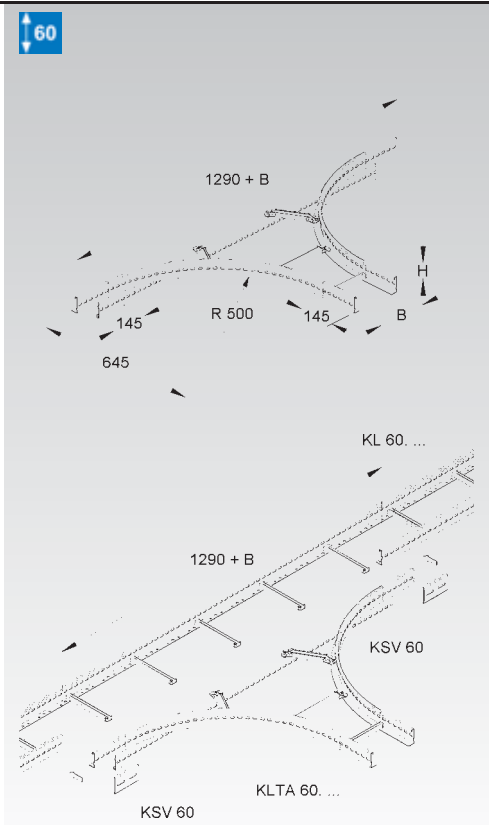
# CABLE LADDER SYSTEM

## Extension Horizontal Tee

model no.	height (H) mm/Inch	width B mm/Inch	EAN code	Weight per 100 pc. kg
S KLTA 60.203	60/2,3	200/7,8	913503	472
S KLTA 60.303	60/2,3	300/11,7	913527	487
S KLTA 60.403	60/2,3	400/15,6	913541	497
S KLTA 60.503	60/2,3	500/19,5	913565	521
S KLTA 60.603	60/2,3	600/23,4	913589	546
F KLTA 60.203 F	60/2,3	200/7,8	913602	482
F KLTA 60.303 F	60/2,3	300/11,7	913626	507
F KLTA 60.403 F	60/2,3	400/15,6	913640	534
F KLTA 60.503 F	60/2,3	500/19,5	913664	560
F KLTA 60.603 F	60/2,3	600/23,4	913688	587

The splice plates KSV 60 have to be ordered separately.

Corresponding yoke clamps (BA... and BAK...) are listed in a separate section of this catalog.



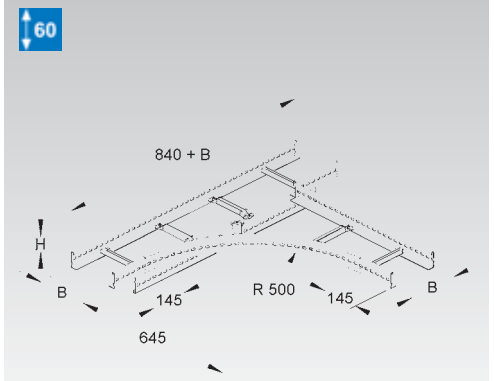
## Offset Tee

right

model no.	height (H) mm/Inch	width B mm/Inch	EAN code	Weight per 100 pc. kg
S KLAR 60.203	60/2,3	200/7,8	292202	450
S KLAR 60.303	60/2,3	300/11,7	292301	490
S KLAR 60.403	60/2,3	400/15,6	292400	530
S KLAR 60.503	60/2,3	500/19,5	292509	620
S KLAR 60.603	60/2,3	600/23,4	292608	660
F KLAR 60.203 F	60/2,3	200/7,8	570607	450
F KLAR 60.303 F	60/2,3	300/11,7	570706	490
F KLAR 60.403 F	60/2,3	400/15,6	570805	530
F KLAR 60.503 F	60/2,3	500/19,5	570904	620
F KLAR 60.603 F	60/2,3	600/23,4	571000	660

The splice plates KSV 60 have to be ordered separately.

Corresponding yoke clamps (BA... and BAK...) are listed in a separate section of this catalog.



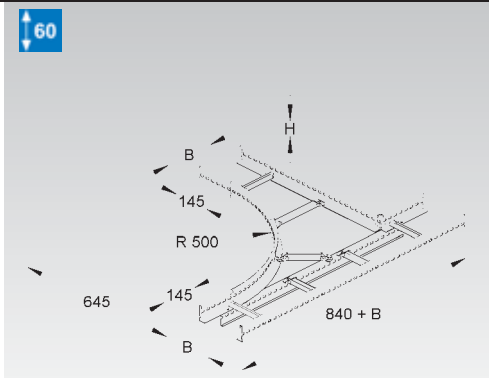
## Offset Tee

left

model no.	height (H) mm/Inch	width B mm/Inch	EAN code	Weight per 100 pc. kg
S KLAL 60.203	60/2,3	200/7,8	292707	450
S KLAL 60.303	60/2,3	300/11,7	292806	490
S KLAL 60.403	60/2,3	400/15,6	292905	530
S KLAL 60.503	60/2,3	500/19,5	293001	620
S KLAL 60.603	60/2,3	600/23,4	293100	660
F KLAL 60.203 F	60/2,3	200/7,8	571109	450
F KLAL 60.303 F	60/2,3	300/11,7	571208	490
F KLAL 60.403 F	60/2,3	400/15,6	571307	530
F KLAL 60.503 F	60/2,3	500/19,5	571406	620
F KLAL 60.603 F	60/2,3	600/23,4	571505	660

The splice plates KSV 60 have to be ordered separately.

Corresponding yoke clamps (BA... and BAK...) are listed in a separate section of this catalog.



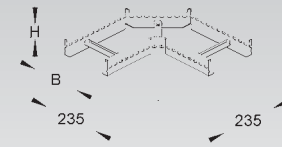
## Elbow

model no.	height (H) mm/Inch	width B mm/Inch	EAN code	Weight per 100 pc. kg
S KLE 60.203	60/2,3	200/7,8	291205	180
S KLE 60.303	60/2,3	300/11,7	291304	220
S KLE 60.403	60/2,3	400/15,6	291403	270
S KLE 60.503	60/2,3	500/19,5	291502	340
S KLE 60.603	60/2,3	600/23,4	291601	380
F KLE 60.203 F	60/2,3	200/7,8	571604	180
F KLE 60.303 F	60/2,3	300/11,7	571703	220
F KLE 60.403 F	60/2,3	400/15,6	571802	270
F KLE 60.503 F	60/2,3	500/19,5	571901	340
F KLE 60.603 F	60/2,3	600/23,4	572007	380
E5 KLE 60.203 E5	60/2,3	200/7,8	730506	180
E5 KLE 60.303 E5	60/2,3	300/11,7	730605	220
E5 KLE 60.403 E5	60/2,3	400/15,6	730704	270

The splice plates KSV 60 have to be ordered separately.

Corresponding yoke clamps (BA... and BAK...) are listed in a separate section of this catalog.

60



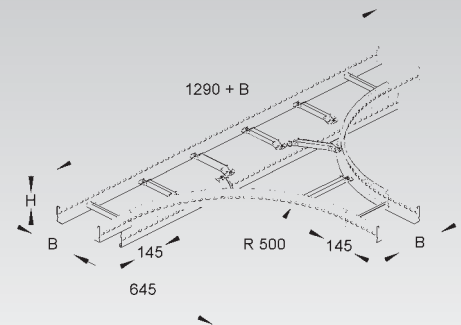
## Horizontal Tee

model no.	height (H) mm/Inch	width B mm/Inch	EAN code	Weight per 100 pc. kg
S KLT 60.203	60/2,3	200/7,8	291700	620
S KLT 60.303	60/2,3	300/11,7	291809	680
S KLT 60.403	60/2,3	400/15,6	291908	740
S KLT 60.503	60/2,3	500/19,5	292004	850
S KLT 60.603	60/2,3	600/23,4	292103	920
F KLT 60.203 F	60/2,3	200/7,8	573103	620
F KLT 60.303 F	60/2,3	300/11,7	573202	680
F KLT 60.403 F	60/2,3	400/15,6	573301	740
F KLT 60.503 F	60/2,3	500/19,5	573400	850
F KLT 60.603 F	60/2,3	600/23,4	573509	920
E3 KLT 60.203 E3	60/2,3	200/7,8	342808	680
E3 KLT 60.303 E3	60/2,3	300/11,7	342907	775
E3 KLT 60.403 E3	60/2,3	400/15,6	343003	870
E3 KLT 60.503 E3	60/2,3	500/19,5	343102	920
E3 KLT 60.603 E3	60/2,3	600/23,4	343201	1010

The splice plates KSV 60 have to be ordered separately.

Corresponding yoke clamps (BA... and BAK...) are listed in a separate section of this catalog.

60



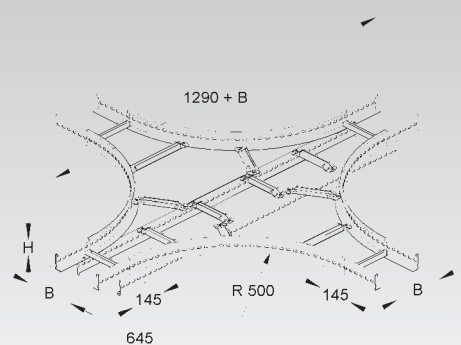
## Horizontal Cross

model no.	height (H) mm/Inch	width B mm/Inch	EAN code	Weight per 100 pc. kg
S KLK 60.203	60/2,3	200/7,8	293209	680
S KLK 60.303	60/2,3	300/11,7	293308	750
S KLK 60.403	60/2,3	400/15,6	293407	830
S KLK 60.503	60/2,3	500/19,5	293506	980
S KLK 60.603	60/2,3	600/23,4	293605	1100
F KLK 60.203 F	60/2,3	200/7,8	573608	680
F KLK 60.303 F	60/2,3	300/11,7	573707	750
F KLK 60.403 F	60/2,3	400/15,6	573806	830
F KLK 60.503 F	60/2,3	500/19,5	573905	980
F KLK 60.603 F	60/2,3	600/23,4	574001	1100
E3 KLK 60.203 E3	60/2,3	200/7,8	343300	760
E3 KLK 60.303 E3	60/2,3	300/11,7	343409	880
E3 KLK 60.403 E3	60/2,3	400/15,6	343508	1000
E3 KLK 60.503 E3	60/2,3	500/19,5	343607	1080
E3 KLK 60.603 E3	60/2,3	600/23,4	343706	1220

The splice plates KSV 60 have to be ordered separately.

Corresponding yoke clamps (BA... and BAK...) are listed in a separate section of this catalog.

60



# CABLE LADDER SYSTEM

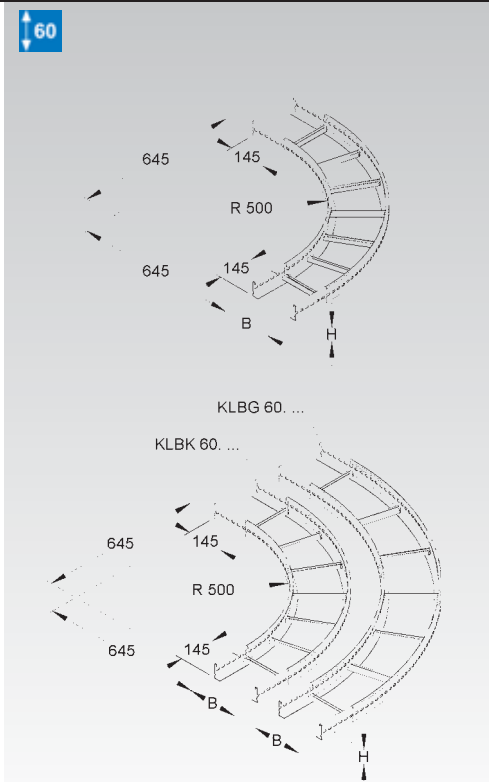
## Horizontal Elbow 90°, small

model no.	height (H)	width B	EAN code	Weight per 100 pc. kg
	mm/Inch	mm/Inch		
S KLBK 60.203	60/2,3	200/7,8	290208	360
S KLBK 60.303	60/2,3	300/11,7	290307	400
S KLBK 60.403	60/2,3	400/15,6	290406	440
S KLBK 60.503	60/2,3	500/19,5	290505	530
S KLBK 60.603	60/2,3	600/23,4	290604	570
F KLBK 60.203 F	60/2,3	200/7,8	572106	360
F KLBK 60.303 F	60/2,3	300/11,7	572205	400
F KLBK 60.403 F	60/2,3	400/15,6	572304	440
F KLBK 60.503 F	60/2,3	500/19,5	572403	530
F KLBK 60.603 F	60/2,3	600/23,4	572502	570
E3 KLBK 60.203 E3	60/2,3	200/7,8	342303	410
E3 KLBK 60.303 E3	60/2,3	300/11,7	342402	470
E3 KLBK 60.403 E3	60/2,3	400/15,6	342501	540
E3 KLBK 60.503 E3	60/2,3	500/19,5	342600	590
E3 KLBK 60.603 E3	60/2,3	600/23,4	342709	650

Sections of tray can be run in parallel. Minimum mounting distance in between two straight runs of the same width is 100 mm.

The splice plates KSV 60 have to be ordered separately.

Corresponding yoke clamps (BA... and BAK...) are listed in a separate section of this catalog.



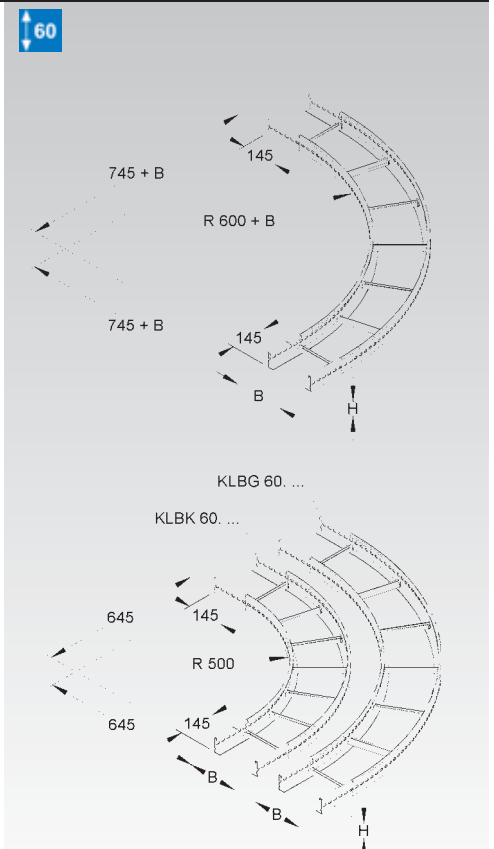
## Horizontal Elbow 90°, large

model no.	height (H)	width B	EAN code	Weight per 100 pc. kg
	mm/Inch	mm/Inch		
S KLBG 60.203	60/2,3	200/7,8	290703	470
S KLBG 60.303	60/2,3	300/11,7	290802	560
S KLBG 60.403	60/2,3	400/15,6	290901	650
S KLBG 60.503	60/2,3	500/19,5	291007	810
S KLBG 60.603	60/2,3	600/23,4	291106	940
F KLBG 60.203 F	60/2,3	200/7,8	572601	470
F KLBG 60.303 F	60/2,3	300/11,7	572700	560
F KLBG 60.403 F	60/2,3	400/15,6	572809	650
F KLBG 60.503 F	60/2,3	500/19,5	572908	810
F KLBG 60.603 F	60/2,3	600/23,4	573004	940

Sections of tray can be run in parallel. Minimum mounting distance in between two straight runs of the same width is 100 mm.

The splice plates KSV 60 have to be ordered separately.

Corresponding yoke clamps (BA... and BAK...) are listed in a separate section of this catalog.



## Adjustable Splice Plate

horizontal

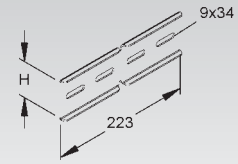
	model no.	height (H) mm/Inch	acc. incl.	EAN code	Weight per 100 pc. kg
S	KWV 60 S	60/2,3	4 FLM 8x13 F	290024	33
F	KWV 60 F	60/2,3	4 FLM 8x13 F	290048	35
E3	KWV 60 E3	60/2,3	4 FLM 8x16 E3	341955	33
★ E5	KWV 60 E5	60/2,3	4 SKM 8x16 E5	730384	33

to make horizontally adjustable splices

**2 pieces required per joint. Please order separately.**

Equipotential bonding guaranteed by bolting the splice plate to the side rails of the tray or ladder and the fitting..

60



## Adjustable Elbow

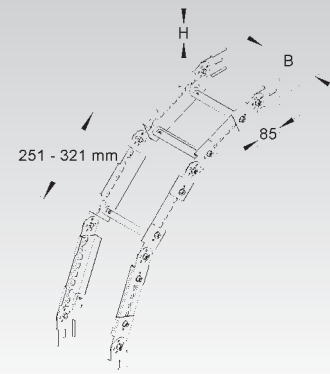
vertical

	model no.	height (H) mm/Inch	width B mm/Inch	acc. incl.	EAN code	Weight per 100 pc. kg
S	KGS 60.203	60/2,3	200/7,8	8 SKM 8x16 F, 16 FLM 8x13 F	293704	320
S	KGS 60.303	60/2,3	300/11,7	8 SKM 8x16 F, 16 FLM 8x13 F	293803	600
S	KGS 60.403	60/2,3	400/15,6	8 SKM 8x16 F, 16 FLM 8x13 F	293902	760
S	KGS 60.503	60/2,3	500/19,5	8 SKM 8x16 F, 16 FLM 8x13 F	294008	920
S	KGS 60.603	60/2,3	600/23,4	8 SKM 8x16 F, 16 FLM 8x13 F	294107	1210
F	KGS 60.203 F	60/2,3	200/7,8	8 SKM 8x16 F, 16 FLM 8x13 F	574100	320
F	KGS 60.303 F	60/2,3	300/11,7	8 SKM 8x16 F, 16 FLM 8x13 F	574209	600
F	KGS 60.403 F	60/2,3	400/15,6	8 SKM 8x16 F, 16 FLM 8x13 F	574308	760
F	KGS 60.503 F	60/2,3	500/19,5	8 SKM 8x16 F, 16 FLM 8x13 F	574407	920
F	KGS 60.603 F	60/2,3	600/23,4	8 SKM 8x16 F, 16 FLM 8x13 F	574506	1210

delivered as a kit (not assembled)

Corresponding yoke clamps (BA... and BAK...) are listed in a separate section of this catalog.

60



## Adjustable Splice Plate

vertical

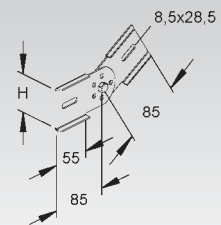
	model no.	height (H) mm/Inch	acc. incl.	EAN code	Weight per 100 pc. kg
S	KGV 60 S	60/2,3	2 FLM 8x13 F	289929	26
F	KGV 60 F	60/2,3	2 FLM 8x13 F	289943	28
E3	KGV 60 E3	60/2,3	2 FLM 8x16 E3	341856	26
E5	KGV 60 E5	60/2,3	2 SKM 8x16 E5	730353	26

for making horizontal elbows for KL... type cable ladder

**2 pieces required per joint. Please order separately.**

Equipotential bonding guaranteed by bolting the splice plate to the side rails of the tray or ladder and the fitting..

60



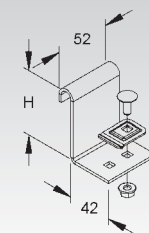
## Cable Ladder Connection Bracket

	model no.	height (H) mm/Inch	acc. incl.	EAN code	Weight per 100 pc. kg
F	KLAS 60	60/2,3	1 FLM 6x16 F	290109	15

connector bracket for field made horizontal joints of cable ladders with identical height

Install corner plate KLEB... to allow extended cable radius.

60



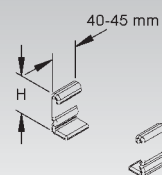
## Pair of Protective End Caps

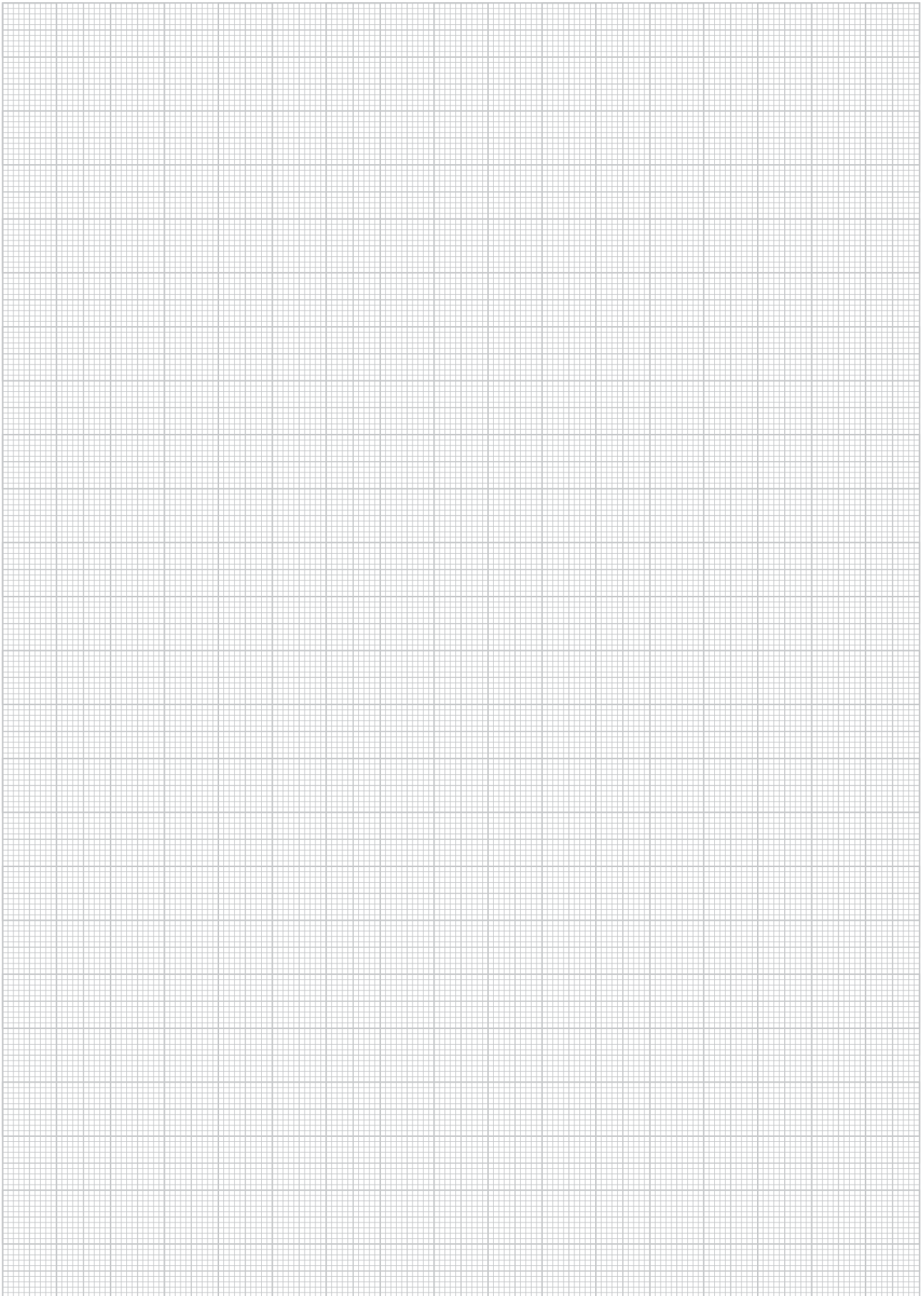
model no.	height (H) mm/Inch	color	EAN code	Weight per 100 pairs kg
<b>K10 SKK 60</b>	60/2,3	yellow	918416	5

to cover the ending of the side rail

**To prevent accidents and injuries you must install a pair of protective end caps. One pair consists of a left-hand and a right-hand version.**

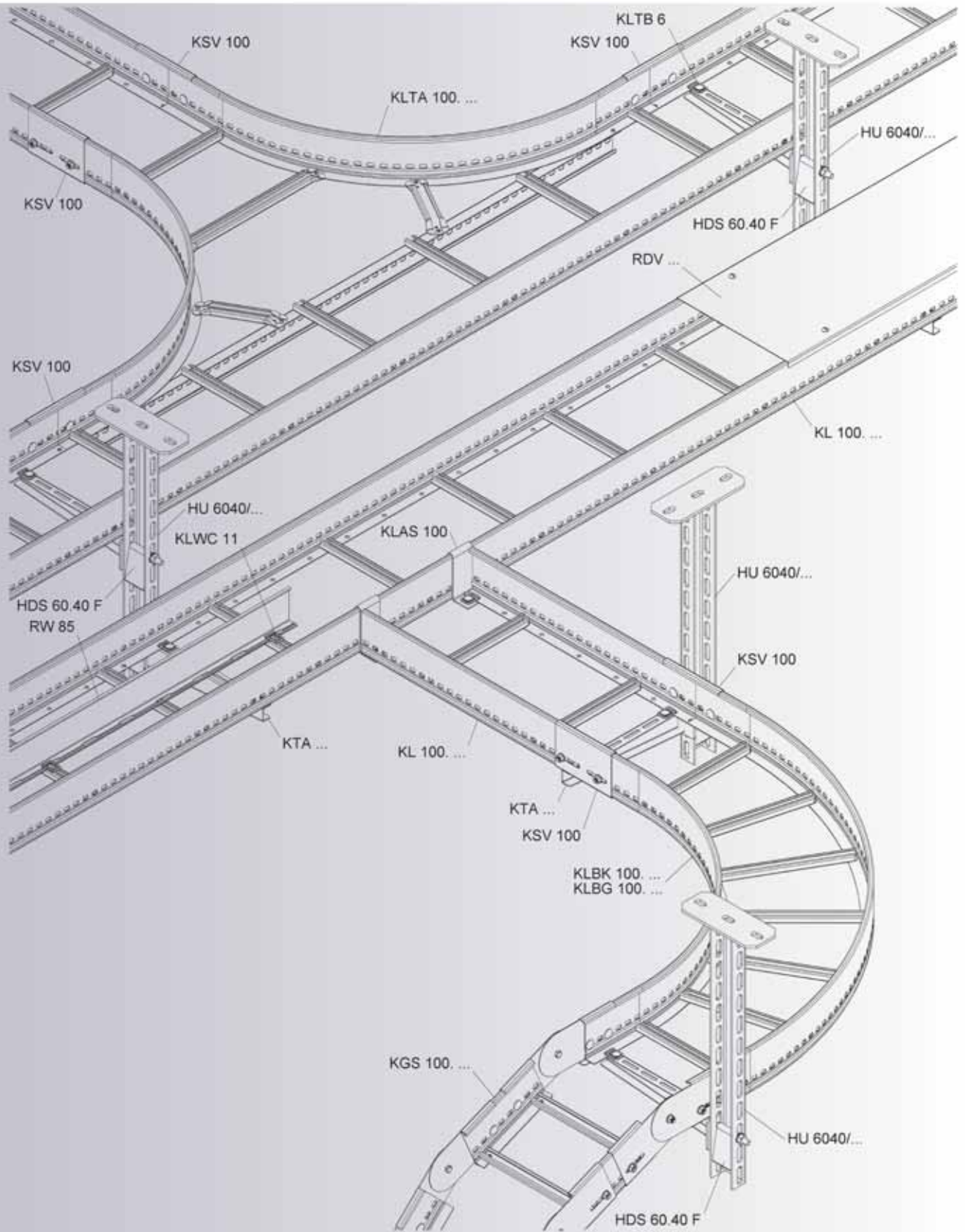
To be used for: Cable Ladder 60...





## Available Side Rail Heights

SYSTEM	Cable Ladder	<b>KL</b>	Page 264
ACCESSORIES	Splice Plate	<b>KSV 100</b>	Page 264
	Barrier Strip	<b>RW 85</b>	Page 264
	Splice Plate for Barrier Strip	<b>RTV 85</b>	Page 265
	Mounting Clamp for Barrier Strip	<b>KLWC 11</b>	Page 265
	Extension Horizontal Tee	<b>KLTA</b>	Page 265
	Horizontal Tee	<b>KLT</b>	Page 266
	Horizontal Cross	<b>KLK</b>	Page 266
	Horizontal Elbow 90°, small	<b>KLBK</b>	Page 266
	Large Elbow 90°	<b>KLBG</b>	Page 267
	Vertical Adjustable Splice Plate	<b>KWV 100</b>	Page 267
	Adjustable Elbow	<b>KGS</b>	Page 267
	Adjustable Splice Plate	<b>KGV 100</b>	Page 268
	Cable Ladder Connection Piece	<b>KLAS 100</b>	Page 268
	Pair of Protective Caps	<b>SKK 100</b>	Page 268
	Corner Plate	<b>KLEB</b>	Page 269
	Ladder Drop-out	<b>KLAB</b>	Page 269
	Cable Ladder Mounting Device	<b>KLTB 6</b>	Page 269
	Wall Support, symmetric	<b>WWU 150/8</b>	Page 269
	Wall Support, asymmetric	<b>WWA 100</b>	Page 269
	Cover for Cable Tray/Ladder	<b>RD</b>	Page 270
Cover for Cable Tray/Ladder, with turnbolt locks	<b>RDV</b>	Page 271	





# CABLE LADDER SYSTEM

## Cable Ladder

distance between rungs: 300 mm

model no.	height (H) mm/Inch	width B mm/Inch	thick-ness (t) mm/Inch	delivery length m	EAN code	Weight per 100 m kg
S KL 100.203	100/3,9	200/7,8	1,5	6	903658	341
S KL 100.303	100/3,9	300/11,7	1,5	6	903665	355
S KL 100.403	100/3,9	400/15,6	1,5	6	903672	368
S KL 100.503	100/3,9	500/19,5	1,5	6	903689	411
S KL 100.603	100/3,9	600/23,4	1,5	6	903696	431
F KL 100.203 F	100/3,9	200/7,8	1,5	6	904006	366
F KL 100.303 F	100/3,9	300/11,7	1,5	6	904020	381
F KL 100.403 F	100/3,9	400/15,6	1,5	6	904044	396
F KL 100.503 F	100/3,9	500/19,5	1,5	6	904068	443
F KL 100.603 F	100/3,9	600/23,4	1,5	6	904082	463

perforated side rails with extra punch holes (diameter 8.5 mm) in the bottom, C-rail rungs with 11 mm slot width riveted to the side rails

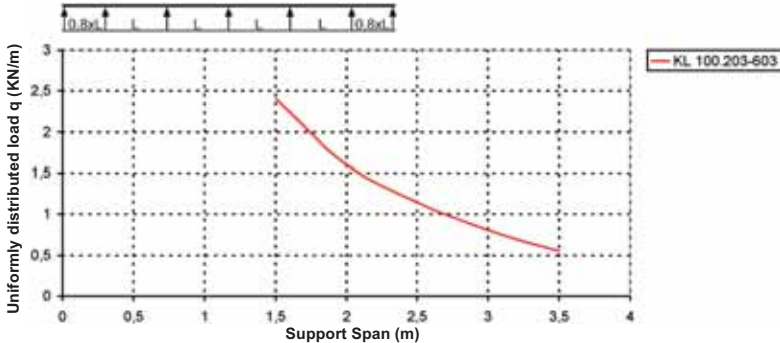
**HDG finish, bottom of side rails non perforated**

25 mm center distance for punch holes 9x15 mm

Cable ladder is available in 3 meter length as well.

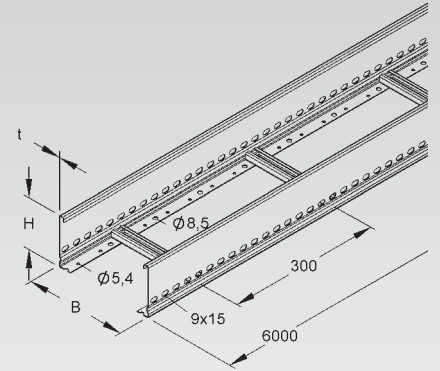
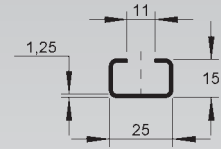
Corresponding yoke clamps (BA... and BAK...) are listed in a separate section of this catalog.

Load Chart: q = uniformly distributed load (tested according to DIN EN IEC 61537 standard)



Specified load ratings are independent of splice plate location.

100



## Splice Plate

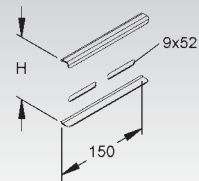
model no.	height (H) mm/Inch	acc. incl.	EAN code	Weight per 100 pc. kg
S KSV 100 S	100/3,9	2 FLM 8x13 F	906758	25,5
F KSV 100 F	100/3,9	2 FLM 8x13 F	906765	25,5

for positive locking connections of cable ladders with a side rail height of 100 mm and corresponding fittings

**2 pieces required per joint. Please order separately.**

Equipotential bonding guaranteed by bolting the splice plate to the side rails of the tray or ladder and the fitting..

100



## Barrier Strip

model no.	height (H) mm/Inch	thick-ness (t) mm/Inch	acc. incl.	EAN code	Weight per 100 m kg
S RW 85	80/3,1	0,9	4 FLM 6x12	237609	92
F RW 85 F	80/3,1	0,9	4 FLM 6x12 F	237708	92

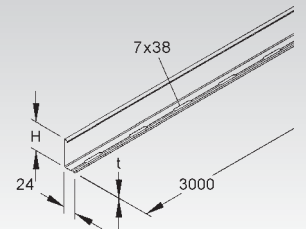
to separate wires and cables of different voltage levels or with different functions

Continuous perforation allows mounting without gradation. Slots (7x38 mm) are spaced at 100 mm.

85



65

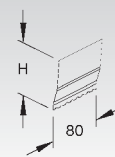


### Splice Plate for Barrier Strip

model no.	height (H) mm/Inch	length (A) mm/Inch	EAN code	Weight per 100 pc. kg
<b>E2</b> RTV 85 E2	79,5/3,1	80/3,1	237753	2

for positive locking connections of barrier strips with proper electrical conductivity

Barrier strips are connected by means of a special splice plate.

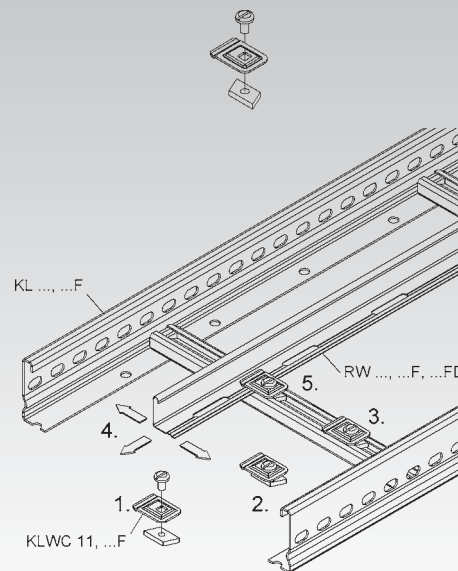


### Mounting Clamp for Barrier Strip

model no.	acc. incl.	EAN code	Weight per 100 pc. kg
<b>G</b> KLWC 11	1 FK 6x10, GSM 306	289608	2
<b>F</b> KLWC 11 F	1 FK 6x10 E3, GSM 306 E3	570409	3

for attaching barrier strips into the rungs of the long span ladder (slot width 11 mm)

To be used for: barrier strip RW...  
insertable at any position of the rail

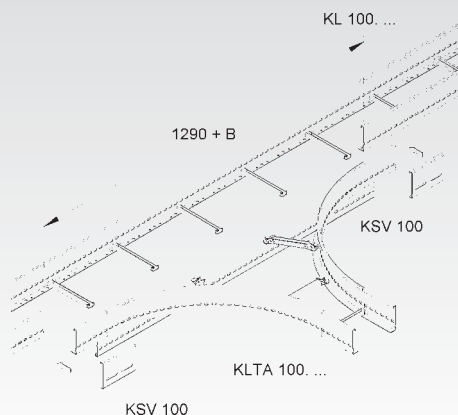
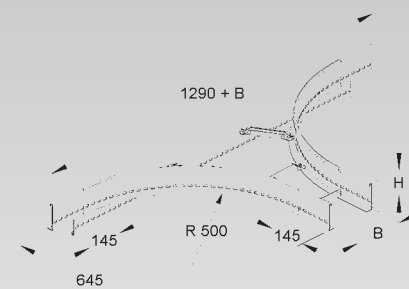


### Extension Horizontal Tee

model no.	height (H) mm/Inch	width B mm/Inch	EAN code	Weight per 100 pc. kg
<b>S</b> KLTA 100.203	100/3,9	200/7,8	913701	549
<b>S</b> KLTA 100.303	100/3,9	300/11,7	913725	574
<b>S</b> KLTA 100.403	100/3,9	400/15,6	913749	598
<b>S</b> KLTA 100.503	100/3,9	500/19,5	913763	623
<b>S</b> KLTA 100.603	100/3,9	600/23,4	913787	647
<b>F</b> KLTA 100.203 F	100/3,9	200/7,8	904310	590
<b>F</b> KLTA 100.303 F	100/3,9	300/11,7	904334	617
<b>F</b> KLTA 100.403 F	100/3,9	400/15,6	904358	643
<b>F</b> KLTA 100.503 F	100/3,9	500/19,5	904372	670
<b>F</b> KLTA 100.603 F	100/3,9	600/23,4	904396	696

The splice plates KSV 100 have to be ordered separately.

Corresponding yoke clamps (BA... and BAK...) are listed in a separate section of this catalog.



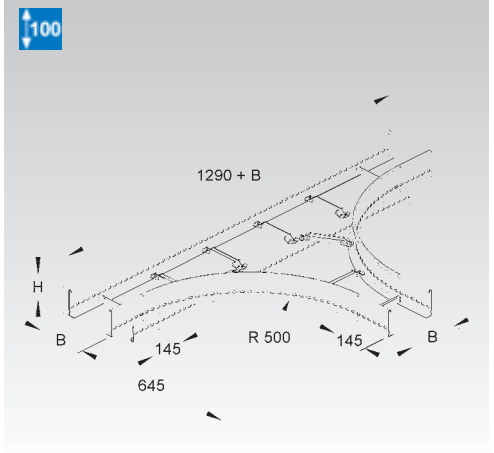
# CABLE LADDER SYSTEM

## Horizontal Tee

	model no.	height (H) mm/Inch	width B mm/Inch	EAN code	Weight per 100 pc. kg
S	KLT 100.203	100/3,9	200/7,8	903801	765
S	KLT 100.303	100/3,9	300/11,7	903818	830
S	KLT 100.403	100/3,9	400/15,6	903825	895
S	KLT 100.503	100/3,9	500/19,5	903832	1010
S	KLT 100.603	100/3,9	600/23,4	903849	1090
F	KLT 100.203 F	100/3,9	200/7,8	904303	765
F	KLT 100.303 F	100/3,9	300/11,7	904327	830
F	KLT 100.403 F	100/3,9	400/15,6	904341	895
F	KLT 100.503 F	100/3,9	500/19,5	904365	1010
F	KLT 100.603 F	100/3,9	600/23,4	904389	1090

The splice plates KSV 100 have to be ordered separately.

Corresponding yoke clamps (BA... and BAK...) are listed in a separate section of this catalog.

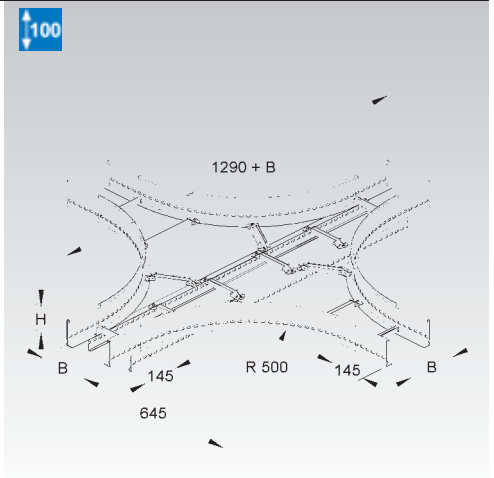


## Horizontal Cross

	model no.	height (H) mm/Inch	width B mm/Inch	EAN code	Weight per 100 pc. kg
S	KLK 100.203	100/3,9	200/7,8	903856	880
S	KLK 100.303	100/3,9	300/11,7	903863	960
S	KLK 100.403	100/3,9	400/15,6	903870	1045
S	KLK 100.503	100/3,9	500/19,5	903887	1200
S	KLK 100.603	100/3,9	600/23,4	903894	1325
F	KLK 100.203 F	100/3,9	200/7,8	904402	880
F	KLK 100.303 F	100/3,9	300/11,7	904426	960
F	KLK 100.403 F	100/3,9	400/15,6	904440	1045
F	KLK 100.503 F	100/3,9	500/19,5	904464	1200
F	KLK 100.603 F	100/3,9	600/23,4	904488	1325

The splice plates KSV 100 have to be ordered separately.

Corresponding yoke clamps (BA... and BAK...) are listed in a separate section of this catalog.



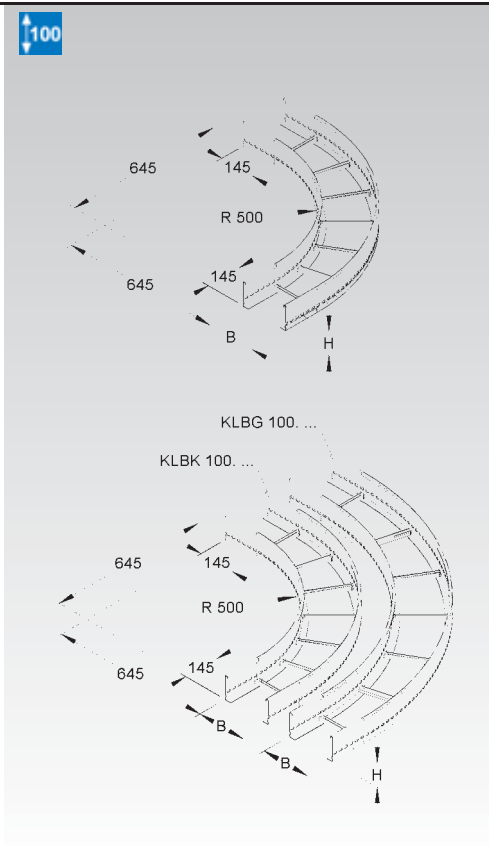
## Horizontal Elbow 90°, small

	model no.	height (H) mm/Inch	width B mm/Inch	EAN code	Weight per 100 pc. kg
S	KLBK 100.203	100/3,9	200/7,8	903702	430
S	KLBK 100.303	100/3,9	300/11,7	903719	475
S	KLBK 100.403	100/3,9	400/15,6	903726	520
S	KLBK 100.503	100/3,9	500/19,5	903733	615
S	KLBK 100.603	100/3,9	600/23,4	903740	660
F	KLBK 100.203 F	100/3,9	200/7,8	904105	430
F	KLBK 100.303 F	100/3,9	300/11,7	904129	475
F	KLBK 100.403 F	100/3,9	400/15,6	904143	520
F	KLBK 100.503 F	100/3,9	500/19,5	904167	615
F	KLBK 100.603 F	100/3,9	600/23,4	904181	660

Sections of tray can be run in parallel. Minimum mounting distance in between two straight runs of the same width is 100 mm.

The splice plates KSV 100 have to be ordered separately.

Corresponding yoke clamps (BA... and BAK...) are listed in a separate section of this catalog.



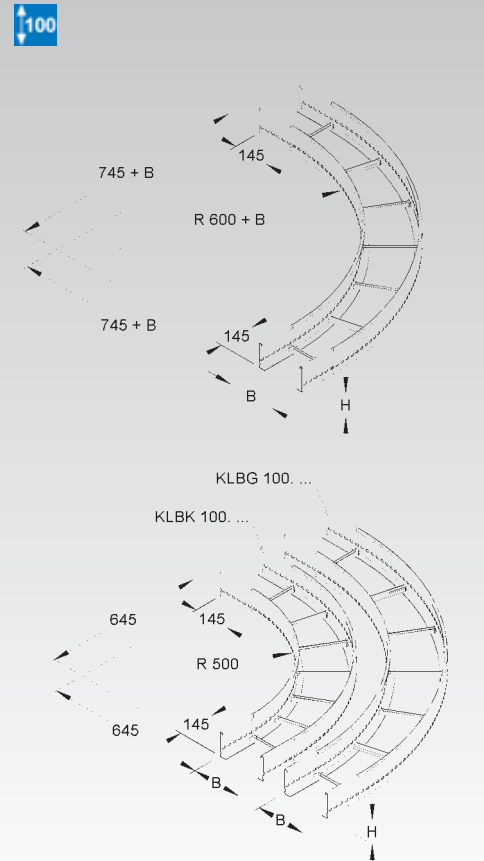
## Horizontal Elbow 90°, large

model no.	height (H) mm/Inch	width B mm/Inch	EAN code	Weight per 100 pc. kg
S KLBG 100.203	100/3,9	200/7,8	903757	570
S KLBG 100.303	100/3,9	300/11,7	903764	670
S KLBG 100.403	100/3,9	400/15,6	903771	775
S KLBG 100.503	100/3,9	500/19,5	903788	950
S KLBG 100.603	100/3,9	600/23,4	903795	1090
F KLBG 100.203 F	100/3,9	200/7,8	904204	570
F KLBG 100.303 F	100/3,9	300/11,7	904228	670
F KLBG 100.403 F	100/3,9	400/15,6	904242	775
F KLBG 100.503 F	100/3,9	500/19,5	904266	950
F KLBG 100.603 F	100/3,9	600/23,4	904280	1090

Sections of tray can be run in parallel. Minimum mounting distance in between two straight runs of the same width is 100 mm.

The splice plates KSV 100 have to be ordered separately.

Corresponding yoke clamps (BA... and BAK...) are listed in a separate section of this catalog.



## Adjustable Splice Plate

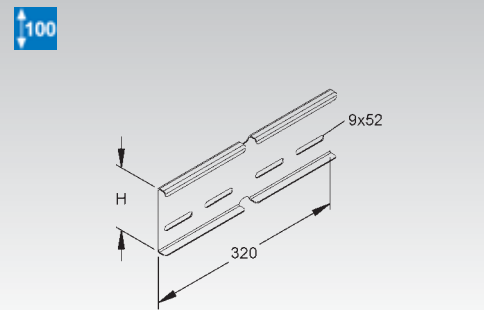
horizontal

model no.	height (H) mm/Inch	acc. incl.	EAN code	Weight per 100 pc. kg
S KVV 100 S	100/3,9	4 FLM 8x13 F	906796	55
F KVV 100 F	100/3,9	4 FLM 8x13 F	906802	55

to make horizontally adjustable splices

**2 pieces required per joint. Please order separately.**

Equipotential bonding guaranteed by bolting the splice plate to the side rails of the tray or ladder and the fitting..



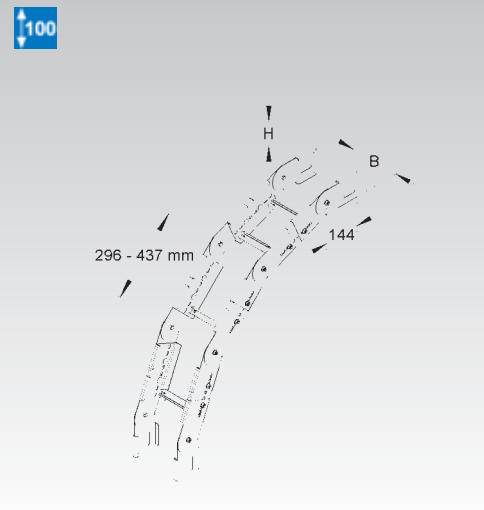
## Adjustable Elbow

vertical

model no.	height (H) mm/Inch	width B mm/Inch	acc. incl.	EAN code	Weight per 100 pc. kg
S KGS 100.203	100/3,9	200/7,8	8 SKM 8x16 F, 16 FLM 8x13 F	903900	370
S KGS 100.303	100/3,9	300/11,7	8 SKM 8x16 F, 16 FLM 8x13 F	903917	430
S KGS 100.403	100/3,9	400/15,6	8 SKM 8x16 F, 16 FLM 8x13 F	903924	490
S KGS 100.503	100/3,9	500/19,5	8 SKM 8x16 F, 16 FLM 8x13 F	903931	575
S KGS 100.603	100/3,9	600/23,4	8 SKM 8x16 F, 16 FLM 8x13 F	903948	620
F KGS 100.203 F	100/3,9	200/7,8	8 SKM 8x16 F, 16 FLM 8x13 F	904501	370
F KGS 100.303 F	100/3,9	300/11,7	8 SKM 8x16 F, 16 FLM 8x13 F	904525	430
F KGS 100.403 F	100/3,9	400/15,6	8 SKM 8x16 F, 16 FLM 8x13 F	904549	490
F KGS 100.503 F	100/3,9	500/19,5	8 SKM 8x16 F, 16 FLM 8x13 F	904563	575
F KGS 100.603 F	100/3,9	600/23,4	8 SKM 8x16 F, 16 FLM 8x13 F	904587	620

delivered as a kit (not assembled)

Corresponding yoke clamps (BA... and BAK...) are listed in a separate section of this catalog.



# CABLE LADDER SYSTEM

## Adjustable Splice Plate

vertical

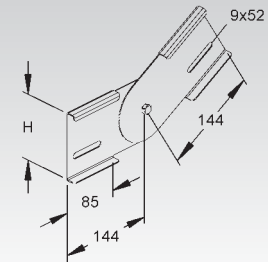
	model no.	height (H) mm/inch	acc. incl.	EAN code	Weight per 100 pc. kg
S	KGV 100 S	100/3,9	2 FLM 8x13 F	906772	54
F	KGV 100 F	100/3,9	2 FLM 8x13 F	906789	54

for making horizontal elbows for KL... type cable ladder

**2 pieces required per joint. Please order separately.**

Equipotential bonding guaranteed by bolting the splice plate to the side rails of the tray or ladder and the fitting..

100



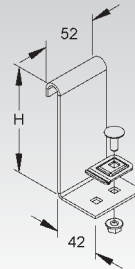
## Cable Ladder Connection Bracket

	model no.	height (H) mm/inch	acc. incl.	EAN code	Weight per 100 pc. kg
F	KLAS 100	100/3,9	1 FLM 6x16 F	295005	20,5

connector bracket for field made horizontal joints of cable ladders with identical height

Install corner plate KLEB... to allow extended cable radius.

100



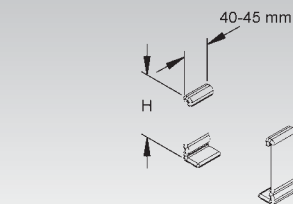
## Pair of Protective End Caps

	model no.	height (H) mm/inch	color	EAN code	Weight per 100 pairs kg
K10	SKK 100	100/3,9	yellow	918423	5

to cover the ending of the side rail

**To prevent accidents and injuries you must install a pair of protective end caps. One pair consists of a left-hand and a right-hand version.**

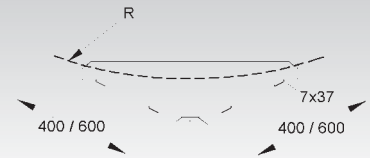
To be used for: Cable Ladder 100...



## Corner Plate

model no.	Radius (R) mm/Inch	EAN code	Weight per 100 pc. kg
S KLEB 300	300	287208	122,5
S KLEB 600	600	287307	260

Corner plate to allow extended cable radius at blunt horizontal joints.

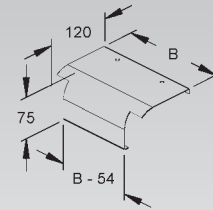


## Ladder Drop Out

model no.	width B mm/Inch	acc. incl.	EAN code	Weight per 100 pc. kg
S KLAB 200	190/7,4	2 ZM 6x10 DIN 84, 2 GSM 306	287406	60
S KLAB 300	290/11,3	2 ZM 6x10 DIN 84, 2 GSM 306	287505	90
S KLAB 400	390/15,2	2 ZM 6x10 DIN 84, 2 GSM 306	287604	120
S KLAB 500	490/19,1	2 ZM 6x10 DIN 84, 2 GSM 306	287703	150
S KLAB 600	590/23	2 ZM 6x10 DIN 84, 2 GSM 306	287802	180
F KLAB 200 F	190/7,4	2 ZM 6x10 E3 DIN 84, 2 GSM 306 E3	900176	60
F KLAB 300 F	290/11,3	2 ZM 6x10 E3 DIN 84, 2 GSM 306 E3	900183	90
F KLAB 400 F	390/15,2	2 ZM 6x10 E3 DIN 84, 2 GSM 306 E3	900190	120
F KLAB 500 F	490/19,1	2 ZM 6x10 E3 DIN 84, 2 GSM 306 E3	900206	150
F KLAB 600 F	590/23	2 ZM 6x10 E3 DIN 84, 2 GSM 306 E3	900213	180
E3 KLAB 200 E3	190/7,4	2 ZM 6x10 E3 DIN 84, 2 GSM 306 E3	900121	60
E3 KLAB 300 E3	290/11,3	2 ZM 6x10 E3 DIN 84, 2 GSM 306 E3	900138	90
E3 KLAB 400 E3	390/15,2	2 ZM 6x10 E3 DIN 84, 2 GSM 306 E3	900145	120
E3 KLAB 500 E3	490/19,1	2 ZM 6x10 E3 DIN 84, 2 GSM 306 E3	900152	150
E3 KLAB 600 E3	590/23	2 ZM 6x10 E3 DIN 84, 2 GSM 306 E3	900169	180

for rung mounting, with rounded edges to protect cables

To be used for: Cable ladders with rungs made of C-rail, slot width 11 mm



## Cable Ladder Mounting Bracket

model no.	acc. incl.	EAN code	Weight per 100 pc. kg
S KLTB 6	1 FLM 6x16 F	282708	2
F KLTB 6 F	1 FLM 6x16 F	282722	2
E3 KLTB 6 E3	1 FLM 6x12 E3	342006	2
E5 KLTB 6 E5	1 FLM 6x12 E5	730407	2

clamping device to fix cable ladders on brackets

2 pieces required per bracket

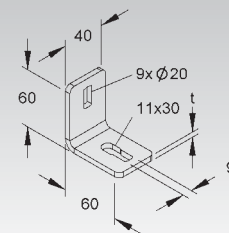


## Wall Support

symmetric

model no.	thick-ness (t) mm/Inch	acc. incl.	EAN code	Weight per 100 pc. kg
F WWU 150/8	5	1 FLM 8x16 F	194506	21
E3 WWU 150/8 E3	4	1 FLM 8x16 E3	344307	21
E5 WWU 150/8 E5	4	1 SKM 8x16 E5	728909	21

for floor-, ceiling- or wall-mount



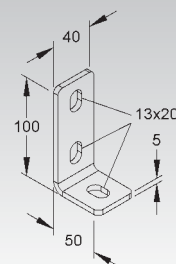
## Wall Support

asymmetric

model no.	thick-ness (t) mm/Inch	acc. incl.	EAN code	Weight per 100 pc. kg
F WWA 100	5	1 FLM 10x25 F	194759	30

for floor-, ceiling- or wall-mount

To be used for: U-profile U 50/..., U 5050/..., U 6040/..., U 100/...



# CABLE LADDER SYSTEM ACCESSORIES

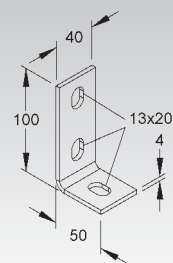
## Wall Support

asymmetric

model no.	thick-ness (t) mm/Inch	acc. incl.	EAN code	Weight per 100 pc. kg
<b>E3 WWA 100 E3</b>	4	1 FLM 10x25 E3	344345	19,4

for floor-, ceiling- or wall-mount

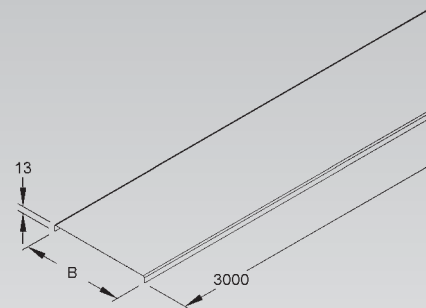
To be used for: Stainless Steel U-Profile U 50/..., U 6040/..., U 100/...



## Cover for Cable Tray/Ladder

model no.	width B mm/Inch	EAN code	Weight per 100 m kg
<b>S RD 70</b>	70/2,7	260157	73
<b>S RD 100</b>	100/3,9	260300	95
<b>S RD 120</b>	120/4,7	260355	114
<b>S RD 150</b>	150/5,8	260409	126
<b>S RD 200</b>	200/7,8	260508	175
<b>S RD 250</b>	250/9,8	260607	213
<b>S RD 300</b>	300/11,7	260706	256
<b>S RD 400</b>	400/15,6	260805	336
<b>S RD 500</b>	500/19,5	260904	416
<b>S RD 550</b>	550/21,4	261000	458
<b>S RD 600</b>	600/23,4	261109	496
<b>F RD 100 F</b>	100/3,9	262502	78,5
<b>F RD 150 F</b>	150/5,8	262601	127
<b>F RD 200 F</b>	200/7,8	262700	175
<b>F RD 250 F</b>	250/9,8	262809	214
<b>F RD 300 F</b>	300/11,7	262908	257
<b>F RD 400 F</b>	400/15,6	263004	337
<b>F RD 500 F</b>	500/19,5	263103	417
<b>F RD 550 F</b>	550/21,4	263202	459
<b>F RD 600 F</b>	600/23,4	263301	497
<b>E3 RD 100 E3</b>	100/3,9	336203	95
<b>E3 RD 200 E3</b>	200/7,8	336302	175
<b>E3 RD 300 E3</b>	300/11,7	336401	256
<b>E3 RD 400 E3</b>	400/15,6	336500	336
<b>E3 RD 500 E3</b>	500/19,5	336609	416
<b>E3 RD 550 E3</b>	550/21,4	336708	416
<b>E3 RD 600 E3</b>	600/23,4	336807	496

To be used for: cable ladder horizontal bends of 35 mm, 60 mm, 85 mm and 110 mm, type RLV ..., RLR..., RL..., RS..., RLC..., RSV... as well as for cable ladders with a side rail height of 60 mm and 100 mm, type KL...



## Cover for Cable Tray/Ladder

with turnbolt locks

model no.	width B mm/Inch	EAN code	Weight per 100 m kg
S RDV 70	70/2,7	261253	55
S RDV 100	100/3,9	261406	97
S RDV 120	120/4,7	261451	116
S RDV 150	150/5,8	261505	129
S RDV 200	200/7,8	261604	177
S RDV 250	250/9,8	261703	216
S RDV 300	300/11,7	261802	260
S RDV 400	400/15,6	261901	340
S RDV 500	500/19,5	262007	420
S RDV 550	550/21,4	262106	460
S RDV 600	600/23,4	262205	500
F RDV 100 F	100/3,9	263608	97
F RDV 150 F	150/5,8	263707	129
F RDV 200 F	200/7,8	263806	177
F RDV 250 F	250/9,8	263905	216
F RDV 300 F	300/11,7	264001	260
F RDV 400 F	400/15,6	264100	340
F RDV 500 F	500/19,5	264209	420
F RDV 550 F	550/21,4	264308	460
F RDV 600 F	600/23,4	264407	500
• FD RDV 100 FD	100/3,9	890682	96
• FD RDV 200 FD	200/7,8	890705	177
• FD RDV 300 FD	300/11,7	890729	259
• FD RDV 400 FD	400/15,6	892402	339
• FD RDV 500 FD	500/19,5	892426	420
• FD RDV 600 FD	600/23,4	892440	500
E3 RDV 100 E3	100/3,9	336906	97
E3 RDV 200 E3	200/7,8	337002	177
E3 RDV 300 E3	300/11,7	337101	257
E3 RDV 400 E3	400/15,6	337200	340
E3 RDV 500 E3	500/19,5	337309	420
E3 RDV 550 E3	550/21,4	337408	460
E3 RDV 600 E3	600/23,4	337507	500

Turn-bolt locks for finish E3 and E5 are always made of stainless steel type E5.

To be used for: cable ladder horizontal bends of 35 mm, 60 mm, 85 mm and 110 mm, type RLV ..., RLR..., RL..., RS..., RLC..., RSV... as well as for cable ladders with a side rail height of 60 mm and 100 mm, type KL...

Outdoor usage requires additional securing against windloads etc. using ex. self tapping screws or steel cable ties.

use turnbolt lock RDRS 9 and cover clamp RDHF 9 E2 for extra requirements

