

Allround Cable Ladder

-  Cable Ladder
-  Fittings
-  Covers
-  Accessories



All straight sections of cable tray as well as their corresponding system components (fittings, splice plates, covers, ...) are classified by UL in accordance with NEMA VE 1 for the USA and CSA E22.2 No. 126.1 for Canada.
Please add an 'X' after the first sequence of characters in the part number to get your products labeled for UL conformity (f.e. RLV 60.200 becomes RLVX 60.200 or GRS 110.300 becomes GR SX 110.300).



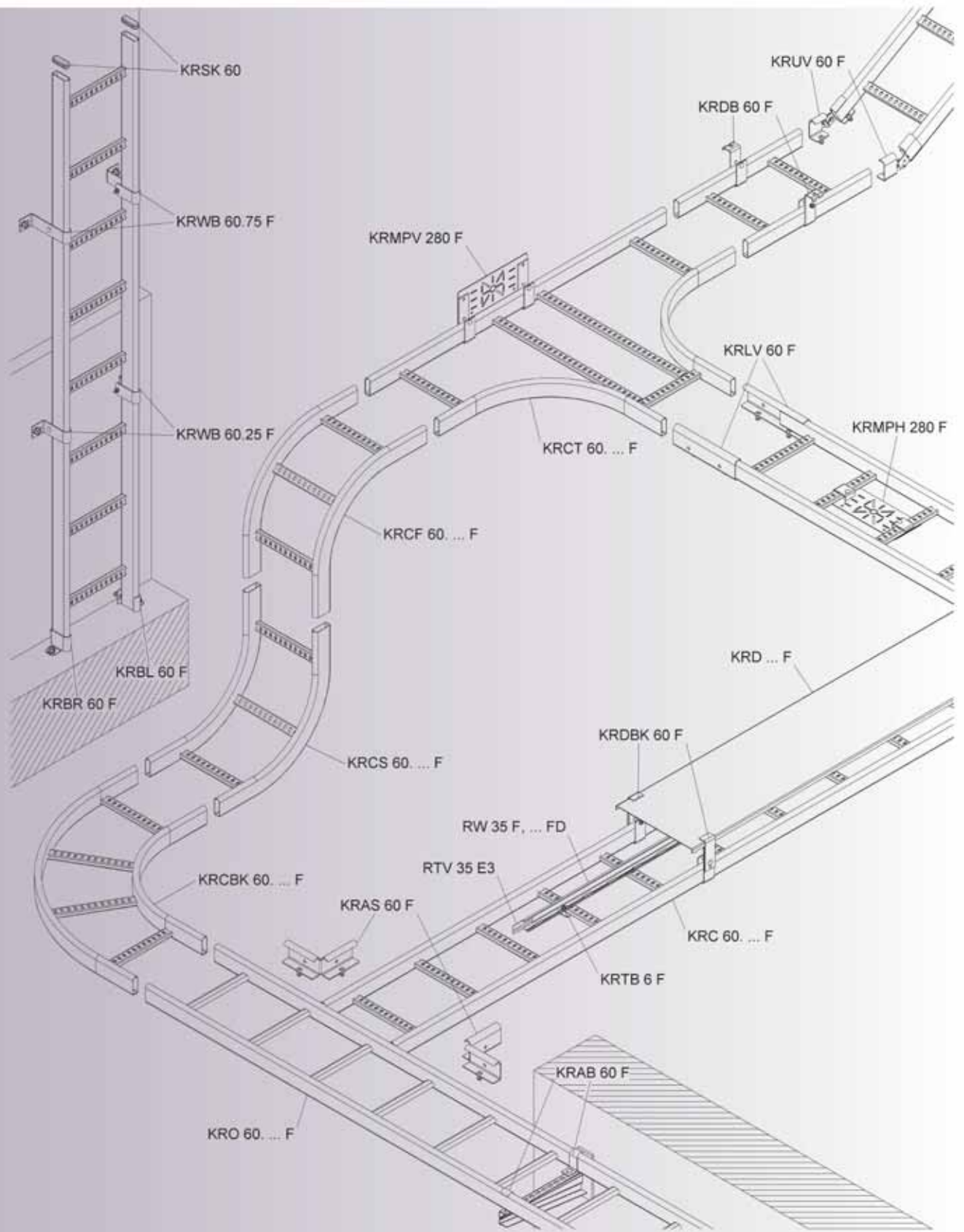
Allround cable ladders are filling the gap in between the classical and the long span cable ladders in terms of load capacities. Due to their oval pipe type siderails and welded rungs they offer highest stability at long support spans with a minimum of material needed.

Allround cable ladders are used for horizontal and vertical installations in harsh industrial environment as well as in commercial buildings of all kinds.



Available Side Rail Heights

SYSTEM	Cable Ladder	KRC	Page 276
ACCESSORIES	Horizontal Elbow 90°, small	KRCBK	Page 276
	Horizontal Tee	KRCT	Page 276
	Vertical Outside Elbow 90°	KRCS	Page 277
	Vertical Outside Elbow 90°	KRCF	Page 277
	Cable Ladder	KRO	Page 277
	Horizontal Elbow 90°, small	KROBK	Page 278
	Horizontal Tee	KROT	Page 278
	Vertical Outside Elbow 90°	KROS	Page 278
	Vertical Outside Elbow 90°	KROF	Page 278
	Protective End Cap	KRSK 60	Page 279
	Splice Plate	KRLV 60	Page 279
	Horizontal Tee	KRAS 60	Page 279
	Adjustable Splice Plate	KRUV 60	Page 279
	Barrier Strip	RW 35	Page 279
	Splice Plate for Barrier Strip	RTV 35	Page 279
	Barrier Strip Mounting Device	KRTB 6	Page 280
	Mounting Plate, for Horizontal Mounting	KRMPH 280	Page 280
	Mounting Plate, for Vertical Mounting	KRMPV 280	Page 280
	Cover for Cable Ladders	KRD	Page 280
	Hold-Down Clamp for Covers	KRDBK 60	Page 280
	Beam Clamp for Fixing on Brackets	KRAB 60	Page 281
	For Fixing on the Wall	KRWB	Page 281
	Floor Mounting Device, left	KRBL 60	Page 281
	Floor Mounting Device, right	KRBR 60	Page 281
	Hanger for Ceiling Suspension	KRDB 60	Page 281



ALLROUND CABLE LADDER

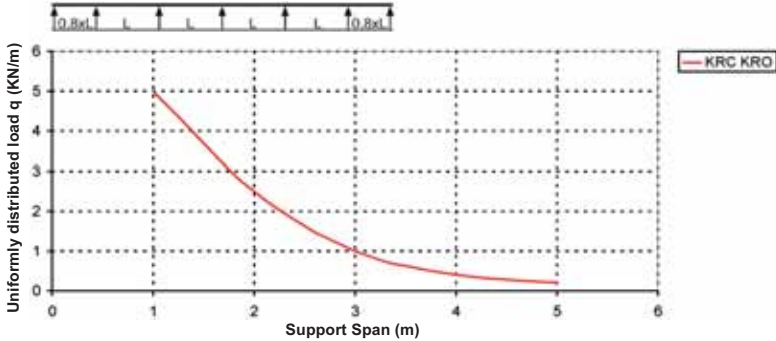
Cable Ladder

model no.	height (H) mm/Inch	width B mm/Inch	length (A) mm/Inch	EAN code	Weight per 100 m kg
F KRC 60.125 F	60/2,3	100/3,9	6000/234	846900	44
F KRC 60.225 F	60/2,3	200/7,8	6000/234	846917	49
F KRC 60.325 F	60/2,3	300/11,7	6000/234	846924	53
F KRC 60.425 F	60/2,3	400/15,6	6000/234	846931	58
F KRC 60.525 F	60/2,3	500/19,5	6000/234	846948	62
F KRC 60.625 F	60/2,3	600/23,4	6000/234	846955	66

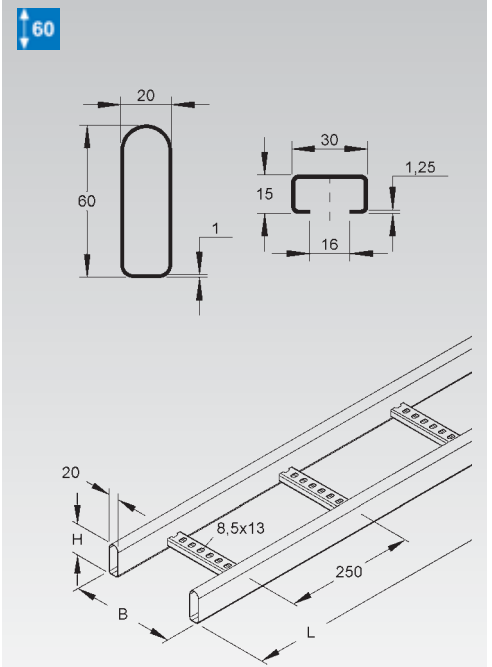
slotted rail rungs welded to oval tubular side rails

Cable ladders are available in powder coated finish as well. Colors according to RAL specification. Price and delivery time available on request.

Load Chart: q = uniformly distributed load (tested according to DIN EN IEC 61537 standard)



Specified load ratings are independent of splice plate location.



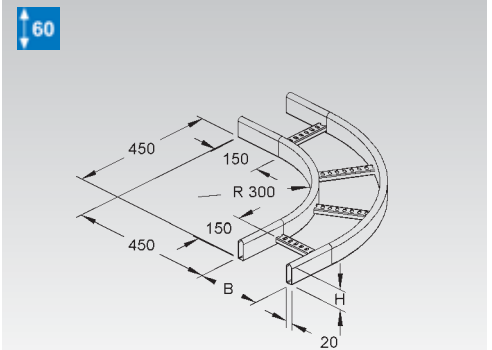
Horizontal Elbow 90°, small

model no.	height (H) mm/Inch	width B mm/Inch	EAN code	Weight per 100 pc. kg
F KRCBK 60.125 F	60/2,3	100/3,9	848805	230
F KRCBK 60.225 F	60/2,3	200/7,8	848829	280
F KRCBK 60.325 F	60/2,3	300/11,7	848843	320
F KRCBK 60.425 F	60/2,3	400/15,6	848867	400
F KRCBK 60.525 F	60/2,3	500/19,5	848881	450
F KRCBK 60.625 F	60/2,3	600/23,4	848904	560

slotted rail rungs welded to oval tubular side rails

Fittings are available in powder coated finish as well. Colors according to RAL specification. Price and delivery time available on request.

Corresponding yoke clamps (BA... and BAK...) are listed in a separate section of this catalog.



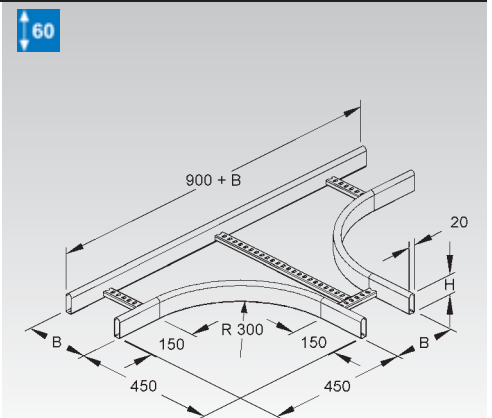
Horizontal Tee

model no.	height (H) mm/Inch	width B mm/Inch	EAN code	Weight per 100 pc. kg
F KRCT 60.125 F	60/2,3	100/3,9	850006	340
F KRCT 60.225 F	60/2,3	200/7,8	850020	410
F KRCT 60.325 F	60/2,3	300/11,7	850044	480
F KRCT 60.425 F	60/2,3	400/15,6	850068	560
F KRCT 60.525 F	60/2,3	500/19,5	850082	630
F KRCT 60.625 F	60/2,3	600/23,4	850105	700

slotted rail rungs welded to oval tubular side rails

Fittings are available in powder coated finish as well. Colors according to RAL specification. Price and delivery time available on request.

Corresponding yoke clamps (BA... and BAK...) are listed in a separate section of this catalog.



Vertical Inside Elbow 90°

vertical

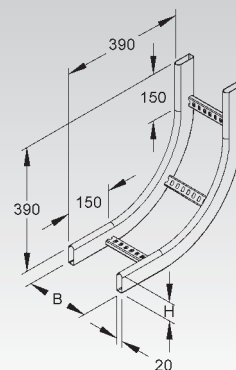
	model no.	height (H) mm/Inch	width B mm/Inch	EAN code	Weight per 100 pc. kg
F	KRCS 60.125 F	60/2,3	100/3,9	849208	190
F	KRCS 60.225 F	60/2,3	200/7,8	849222	210
F	KRCS 60.325 F	60/2,3	300/11,7	849246	230
F	KRCS 60.425 F	60/2,3	400/15,6	849260	250
F	KRCS 60.525 F	60/2,3	500/19,5	849284	280
F	KRCS 60.625 F	60/2,3	600/23,4	849307	300

slotted rail rungs welded to oval tubular side rails

Fittings are available in powder coated finish as well. Colors according to RAL specification. Price and delivery time available on request.

Corresponding yoke clamps (BA... and BAK...) are listed in a separate section of this catalog.

60



Vertical Outside Elbow 90°

vertical

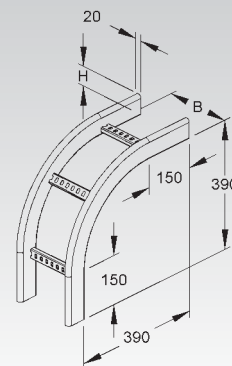
	model no.	height (H) mm/Inch	width B mm/Inch	EAN code	Weight per 100 pc. kg
F	KRCF 60.125 F	60/2,3	100/3,9	849604	190
F	KRCF 60.225 F	60/2,3	200/7,8	849628	210
F	KRCF 60.325 F	60/2,3	300/11,7	849642	230
F	KRCF 60.425 F	60/2,3	400/15,6	849666	250
F	KRCF 60.525 F	60/2,3	500/19,5	849680	280
F	KRCF 60.625 F	60/2,3	600/23,4	849703	300

solid oval tubular rungs welded to oval tubular side rails

Fittings are available in powder coated finish as well. Colors according to RAL specification. Price and delivery time available on request.

Corresponding yoke clamps (BA... and BAK...) are listed in a separate section of this catalog.

60



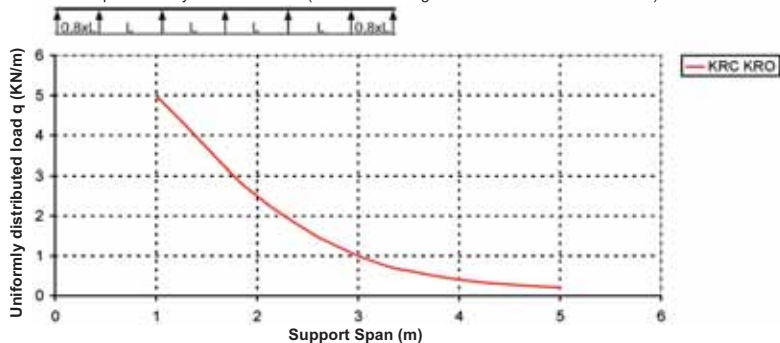
Cable Ladder

	model no.	height (H) mm/Inch	width B mm/Inch	length (A) mm/Inch	EAN code	Weight per 100 m kg
F	KRO 60.125 F	60/2,3	100/3,9	6000/234	846962	45
F	KRO 60.225 F	60/2,3	200/7,8	6000/234	846979	50
F	KRO 60.325 F	60/2,3	300/11,7	6000/234	846986	56
F	KRO 60.425 F	60/2,3	400/15,6	6000/234	846993	61
F	KRO 60.525 F	60/2,3	500/19,5	6000/234	847006	67
F	KRO 60.625 F	60/2,3	600/23,4	6000/234	847013	72

slotted rail rungs welded to tubular oval side rails

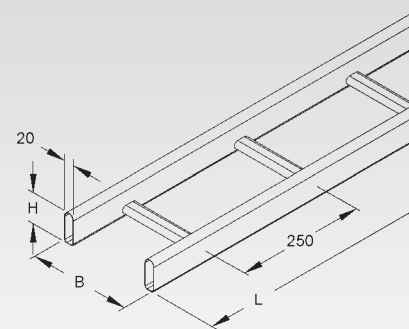
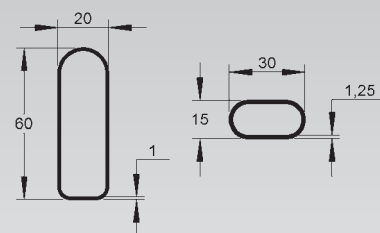
Cable ladders are available in powder coated finish as well. Colors according to RAL specification. Price and delivery time available on request.

Load Chart: q = uniformly distributed load (tested according to DIN EN IEC 61537 standard)



Specified load ratings are independent of splice plate location.

60



ALLROUND CABLE LADDER

Horizontal Elbow 90°, small

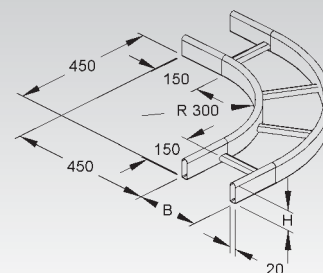
model no.	height (H) mm/Inch	width B mm/Inch	EAN code	Weight per 100 pc. kg
F KROBK 60.125 F	60/2,3	100/3,9	849000	230
F KROBK 60.225 F	60/2,3	200/7,8	849024	280
F KROBK 60.325 F	60/2,3	300/11,7	849048	320
F KROBK 60.425 F	60/2,3	400/15,6	849062	400
F KROBK 60.525 F	60/2,3	500/19,5	849086	450
F KROBK 60.625 F	60/2,3	600/23,4	849109	560

slotted rail rungs welded to tubular oval side rails

Fittings are available in powder coated finish as well. Colors according to RAL specification. Price and delivery time available on request.

Corresponding yoke clamps (BA... and BAK...) are listed in a separate section of this catalog.

60



Horizontal Tee

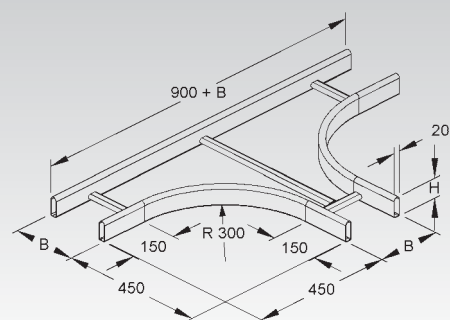
model no.	height (H) mm/Inch	width B mm/Inch	EAN code	Weight per 100 pc. kg
F KROT 60.125 F	60/2,3	100/3,9	850204	340
F KROT 60.225 F	60/2,3	200/7,8	850228	410
F KROT 60.325 F	60/2,3	300/11,7	850242	480
F KROT 60.425 F	60/2,3	400/15,6	850266	560
F KROT 60.525 F	60/2,3	500/19,5	850280	630
F KROT 60.625 F	60/2,3	600/23,4	850303	700

slotted rail rungs welded to tubular oval side rails

Fittings are available in powder coated finish as well. Colors according to RAL specification. Price and delivery time available on request.

Corresponding yoke clamps (BA... and BAK...) are listed in a separate section of this catalog.

60



Vertical Inside Elbow 90°

vertical

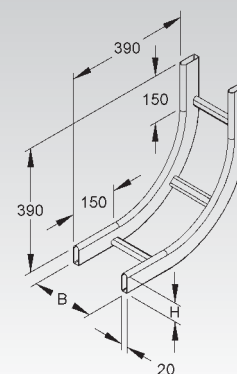
model no.	height (H) mm/Inch	width B mm/Inch	EAN code	Weight per 100 pc. kg
F KROS 60.125 F	60/2,3	100/3,9	849406	190
F KROS 60.225 F	60/2,3	200/7,8	849420	210
F KROS 60.325 F	60/2,3	300/11,7	849444	230
F KROS 60.425 F	60/2,3	400/15,6	849468	250
F KROS 60.525 F	60/2,3	500/19,5	849482	280
F KROS 60.625 F	60/2,3	600/23,4	849505	300

solid oval tubular rungs welded to oval tubular side rails

Fittings are available in powder coated finish as well. Colors according to RAL specification. Price and delivery time available on request.

Corresponding yoke clamps (BA... and BAK...) are listed in a separate section of this catalog.

60



Vertical Outside Elbow 90°

vertical

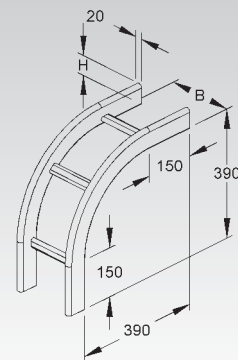
model no.	height (H) mm/Inch	width B mm/Inch	EAN code	Weight per 100 pc. kg
F KROF 60.125 F	60/2,3	100/3,9	849802	190
F KROF 60.225 F	60/2,3	200/7,8	849826	210
F KROF 60.325 F	60/2,3	300/11,7	849840	230
F KROF 60.425 F	60/2,3	400/15,6	849864	250
F KROF 60.525 F	60/2,3	500/19,5	849888	280
F KROF 60.625 F	60/2,3	600/23,4	849901	300

solid oval tubular rungs welded to oval tubular side rails

Fittings are available in powder coated finish as well. Colors according to RAL specification. Price and delivery time available on request.

Corresponding yoke clamps (BA... and BAK...) are listed in a separate section of this catalog.

60



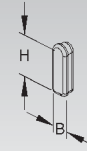
Protective End Cap

model no.	height (H) mm/Inch	width B mm/Inch	color	EAN code	Weight per 100 pc. kg
K03 KRSK 60	60/2,3	20/0,8	yellow	850853	1

to cover the ending of the side rail

**To prevent accidents and injuries you must install protective end caps.
2 pieces required per end cap**

To be used for: all-round cable ladders, type KRC and KRO ... as well as the corresponding fittings/accessories



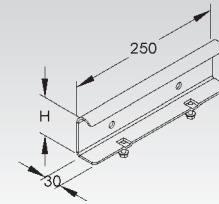
Splice Plate

model no.	height (H) mm/Inch	EAN code	Weight per 100 pc. kg
F KRLV 60 F	61/2,4	850402	69

for positive locking connections of the allround cable ladders KRO and KRC with proper electrical conductivity

2 pieces required per joint

60



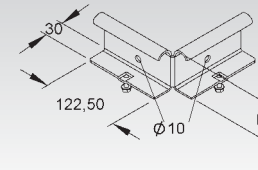
Extension Tee Splice Plate

model no.	height (H) mm/Inch	EAN code	Weight per 100 pc. kg
F KRAS 60 F	61/2,4	850600	69

connector bracket for field made horizontal joints of KRC/KRO type cable ladders

2 pieces required per joint

60



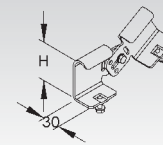
Adjustable Splice Plate

model no.	height (H) mm/Inch	EAN code	Weight per 100 pc. kg
F KRUV 60 F	61/2,4	850457	34

for making horizontal and vertical joints for allround cable ladders

2 pieces required per joint

60



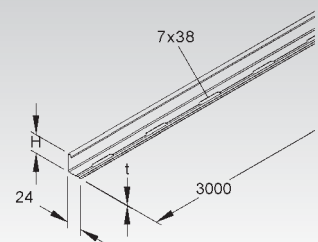
Barrier Strip

model no.	height (H) mm/Inch	thick-ness (t) mm/Inch	acc. incl.	EAN code	Weight per 100 m kg
F RW 35 F	30/1,2	0,75	4 FLM 6x12 F	213603	35
FD RW 35 FD	30/1,2	0,75	4 FLM 6x12 F	213627	35

to separate wires and cables of different voltage levels or with different functions

Continuous perforation allows mounting without gradation. Slots (7x38 mm) are spaced at 100 mm.

35



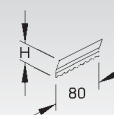
Splice Plate for Barrier Strip

model no.	height (H) mm/Inch	length (A) mm/Inch	EAN code	Weight per 100 pc. kg
E2 RTV 35 E2	29/1,1	80/3,1	213658	1

for positive locking connections of barrier strips with proper electrical conductivity

Barrier strips are connected by means of a special splice plate.

35

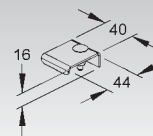


ALLROUND CABLE LADDER

Barrier Strip Mounting Bracket

model no.	EAN code	Weight per 100 pc. kg
F KRTB 6 F	851102	3

for attaching barrier strips and/or mounting plates onto the rungs of allround cable ladders

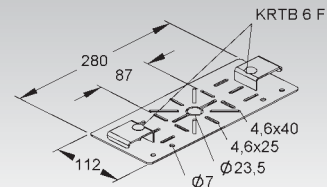


Mounting Plate

model no.	EAN code	Weight per 100 pc. kg
F KRMPH 280 F	850907	82

for horizontal mounting of distribution or junction boxes in between the rungs

Two KRTB 6 F clamps needed for installing the mounting plate to the rungs of the allround ladder.
rung spacing 250 mm for allround cable ladder type KRC... and KRO...

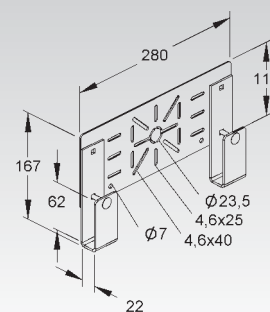


Mounting Plate

model no.	EAN code	Weight per 100 pc. kg
F KRMPV 280 F	850952	82

for vertical mounting of distribution or junction boxes on side rails of KRC/KRO type ladder or fittings

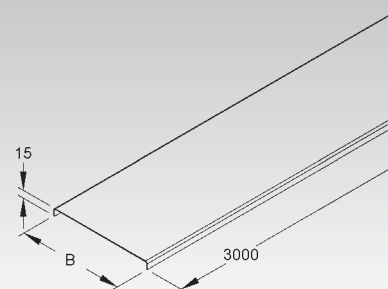
60



Cover for Cable Ladders

model no.	width B	EAN code	Weight per 100 m kg
	mm/Inch		
F KRD 100 F	109/4,3	851201	156
F KRD 200 F	209/8,2	851225	275
F KRD 300 F	309/12,1	851249	393
F KRD 400 F	409/16	851263	510
F KRD 500 F	509/19,9	851287	628
F KRD 600 F	609/23,8	851300	746

To be used for: all-round cable ladders, type KRC and KRO ...



Cover Clamp

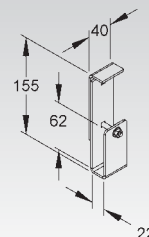
model no.	EAN code	Weight per 100 pc. kg
F KRDBK 60 F	851188	43

for raised mounting of KRD... type cover on top of the allround cable ladder

2 pieces required for fixing

To be mounted to the side rail of the all-round cable ladders.

60



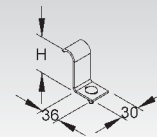
Mounting Clamp for KRC/KRO Ladder

model no.	height (H) mm/Inch	EAN code	Weight per 100 pc. kg
F KRAB 60 F	57/2,2	850655	10

to clamp the allround cable ladders of type KRC... and KRO...

2 pieces required per bracket

60



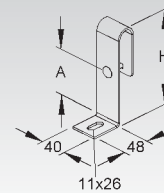
Wall Support

model no.	distance between drilling holes (A) mm/Inch	height (H) mm/Inch	EAN code	Weight per 100 pc. kg
F KRWB 60.25 F	25	94/3,7	850501	36
F KRWB 60.75 F	75	144/5,6	850556	41

for mounting the allround cable ladders to the wall

2 pieces required for fixing

60



Floor Mounting Device

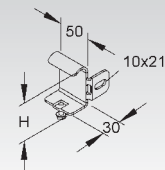
left

model no.	height (H) mm/Inch	EAN code	Weight per 100 pc. kg
F KRBL 60 F	61/2,4	850754	18

for proper installation a lefthand and a righthand fixing clamp (KRBL 60 F and KRBR 60 F) are required

for proper installation a lefthand and a righthand fixing clamp (KRBL 60 F and KRBR 60 F) are required

60



Floor Mounting Device

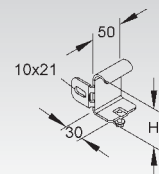
right

model no.	height (H) mm/Inch	EAN code	Weight per 100 pc. kg
F KRBR 60 F	61/2,4	850808	18

for proper installation a lefthand and a righthand fixing clamp (KRBL 60 F and KRBR 60 F) are required

for proper installation a lefthand and a righthand fixing clamp (KRBL 60 F and KRBR 60 F) are required

60



Frame for Ceiling Suspension

model no.	height (H) mm/Inch	EAN code	Weight per 100 pc. kg
F KRDB 60 F	114/4,4	850709	25

for direct installation of allround cable ladders and fittings on horizontal ceilings

2 pieces required for fixing

60

