

Part No.		Part No.		Part No.		Part No.	
----------	---	----------	---	----------	--	----------	---

ACS ORIGINALSTRUT®: CABLE DUCT & TRUNKING
STRAIGHT 50H

DHGST3W100	<u>04 - 01</u>
DHGST3W200	<u>04 - 01</u>
DHGST3W300	<u>04 - 01</u>
DHGST3W450	<u>04 - 01</u>
DHGST3W600	<u>04 - 01</u>

90° IN.RISER 50H

DHGIR3W100	<u>04 - 02</u>
DHGIR3W200	<u>04 - 02</u>
DHGIR3W300	<u>04 - 02</u>
DHGIR3W450	<u>04 - 02</u>
DHGIR3W600	<u>04 - 02</u>

CONNECTOR PLATE 50H

DHGCP3W100	<u>03 - 03</u>
DHGCP3W200	<u>03 - 03</u>
DHGCP3W300	<u>03 - 03</u>
DHGCP3W450	<u>03 - 03</u>
DHGCP3W600	<u>03 - 03</u>

END PLATE 50H

DHGEP3W100	<u>04 - 04</u>
DHGEP3W200	<u>04 - 04</u>
DHGEP3W300	<u>04 - 04</u>
DHGEP3W450	<u>04 - 04</u>
DHGEP3W600	<u>04 - 04</u>

STRAIGHT 100H

DHG5W100	<u>04 - 01</u>
DHG5W200	<u>04 - 01</u>
DHG5W300	<u>04 - 01</u>
DHG5W450	<u>04 - 01</u>
DHG5W600	<u>04 - 01</u>

90° IN.RISER 100H

DHGIR5W100	<u>04 - 02</u>
DHGIR5W200	<u>04 - 02</u>
DHGIR5W300	<u>04 - 02</u>
DHGIR5W450	<u>04 - 02</u>
DHGIR5W600	<u>04 - 02</u>

CONNECTOR PLATE 100H

DHGCP5W100	<u>03 - 03</u>
DHGCP5W200	<u>03 - 03</u>
DHGCP5W300	<u>03 - 03</u>
DHGCP5W450	<u>03 - 03</u>
DHGCP5W600	<u>03 - 03</u>

END PLATE 100H

DHGEP5W100	<u>04 - 04</u>
DHGEP5W200	<u>04 - 04</u>
DHGEP5W300	<u>04 - 04</u>
DHGEP5W450	<u>04 - 04</u>
DHGEP5W600	<u>04 - 04</u>

BEND 50H

DHGBE3W100	<u>04 - 02</u>
DHGBE3W200	<u>04 - 02</u>
DHGBE3W300	<u>04 - 02</u>
DHGBE3W450	<u>04 - 02</u>
DHGBE3W600	<u>04 - 02</u>

HORIZONTAL TEE 90° 50H

DHGT3W100	<u>03 - 03</u>
DHGT3W200	<u>03 - 03</u>
DHGT3W300	<u>03 - 03</u>
DHGT3W450	<u>03 - 03</u>
DHGT3W600	<u>03 - 03</u>

DUCT DIVIDER 50H

DHGDVSH050	<u>04 - 04</u>
------------	----------------

DUCT HANGER 50H

DHGDH3W100	<u>04 - 04</u>
DHGDH3W200	<u>04 - 04</u>
DHGDH3W300	<u>04 - 04</u>
DHGDH3W450	<u>04 - 06</u>
DHGDH3W600	<u>04 - 06</u>

BEND 100H

DHGBE5W100	<u>04 - 02</u>
DHGBE5W200	<u>04 - 02</u>
DHGBE5W300	<u>04 - 02</u>
DHGBE5W450	<u>04 - 02</u>
DHGBE5W600	<u>04 - 02</u>

HORIZONTAL TEE 90° 100H

DHGT5W100	<u>03 - 03</u>
DHGT5W200	<u>03 - 03</u>
DHGT5W300	<u>03 - 03</u>
DHGT5W450	<u>03 - 03</u>
DHGT5W600	<u>03 - 03</u>

REDUCER PLATE 50H

DHGRP3W100	<u>04 - 04</u>
DHGRP3W150	<u>04 - 04</u>
DHGRP3W200	<u>04 - 04</u>
DHGRP3W300	<u>04 - 04</u>

DUCT HANGER 100H

DHGDH5W100	<u>04 - 04</u>
DHGDH5W200	<u>04 - 04</u>
DHGDH5W300	<u>04 - 04</u>
DHGDH5W450	<u>04 - 04</u>
DHGDH5W600	<u>04 - 04</u>

90° EX.RISER 50H

DHGER3W100	<u>04 - 02</u>
DHGER3W200	<u>04 - 02</u>
DHGER3W300	<u>04 - 02</u>
DHGER3W450	<u>04 - 02</u>
DHGER3W600	<u>04 - 02</u>

HORIZONTAL CROSS 90° 50H

DHGCE3W100	<u>03 - 03</u>
DHGCE3W200	<u>03 - 03</u>
DHGCE3W300	<u>03 - 03</u>
DHGCE3W450	<u>03 - 03</u>
DHGCE3W600	<u>03 - 03</u>

REDUCER PLATE 100H

DHGRP5W100	<u>04 - 04</u>
DHGRP5W150	<u>04 - 04</u>
DHGRP5W200	<u>04 - 04</u>
DHGRP5W300	<u>04 - 04</u>

90° EX.RISER 100H

DHGER5W100	<u>04 - 02</u>
DHGER5W200	<u>04 - 02</u>
DHGER5W300	<u>04 - 02</u>
DHGER5W450	<u>04 - 02</u>
DHGER5W600	<u>04 - 02</u>

HORIZONTAL CROSS 90° 100H

DHGCE5W100	<u>03 - 03</u>
DHGCE5W200	<u>03 - 03</u>
DHGCE5W300	<u>03 - 03</u>
DHGCE5W450	<u>03 - 03</u>
DHGCE5W600	<u>03 - 03</u>

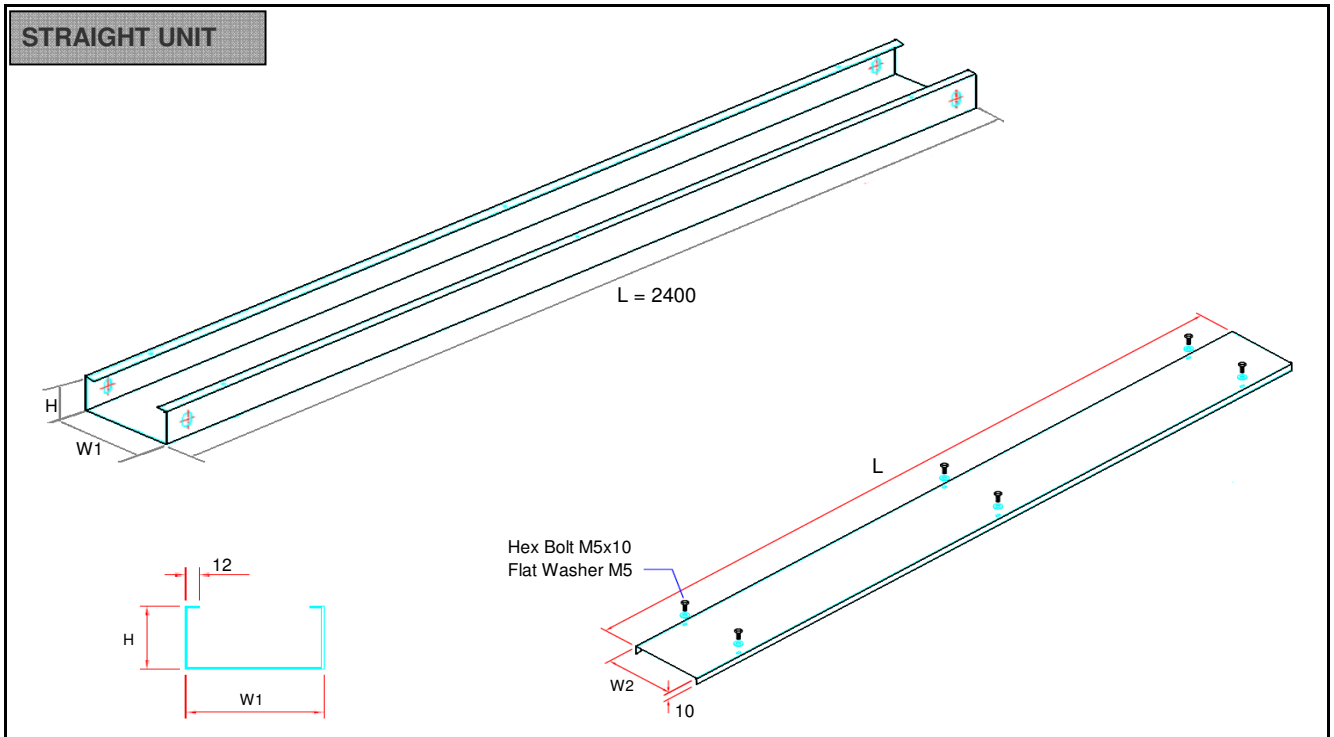
SPLICE PLATE 50H

DTHGSSPH050	<u>04 - 04</u>
-------------	----------------

SPLICE PLATE 100H

DTHGSSPH100	<u>04 - 04</u>
-------------	----------------

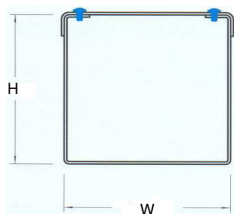
ACS ORIGINALSTRUT®; CABLE DUCT & TRUNKING



Width "W" (mm)	Part No. / SAP Des.		Thick (mm)
	Depth "H" (50mm)	Depth "H" (100mm)	
100	DHGST3W100	DHGST5W100	1.6
200	DHGST3W200	DHGST5W200	1.6
300	DHGST3W300	DHGST5W300	1.6
450	DHGST3W450	DHGST5W450	1.6
600	DHGST3W600	DHGST5W600	1.6

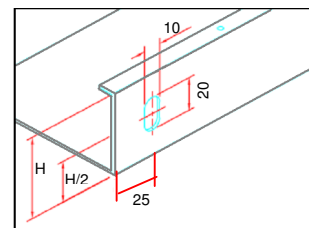
Note Other thickness or widths more than 600W available on request and Thickness is 2.0mmT.
Length 2.4 or 3.0m
Dividers at your nominated positions across body width for cable separation

Screw on Lid Fixing System



The screw on Lid (Cover) fixing system provides extra security to the supported and enclosed cables, it is a simple & economical system which offers strong screw cover fixing

Connection Detail



At each end connection, we offer a connector plate for connecting duct together, this system is far more superior than other systems available

General Features

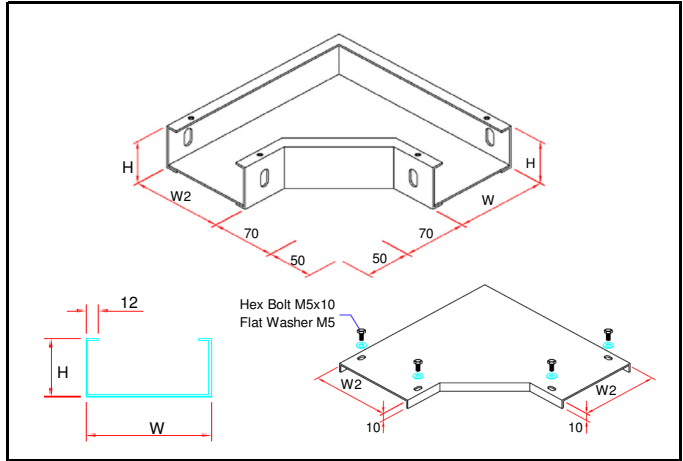
Standard unit comprises of body, pre-drilled cover and fixing screws
Cable Trunking is manufactured to BS 4678-1:1971

Finish Hot Dipped Galvanised BS729, ASTM A123,
Pre-Galvanised, Aluminium (BS EM 10142), Stainless Steel Grade 304 / 316 or Painted

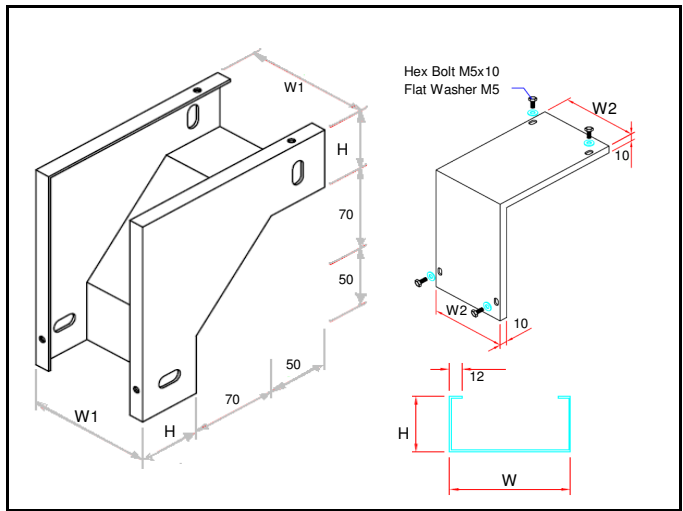
ACS ORIGINALSTRUT®; CABLE DUCT & TRUNKING

Accessories - Bends & Risers

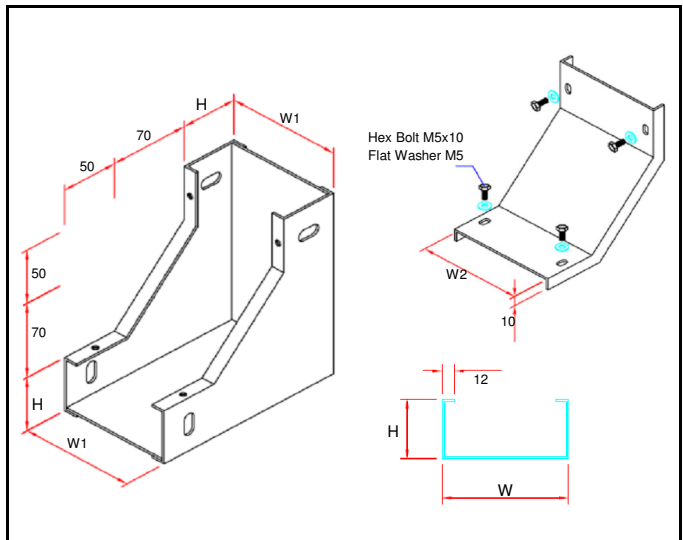
Horizontal Bend 90° c/w Cover			
Width "W" (mm)	Part No. / SAP Des.		Thick (mm)
	Depth "H" (50mm)	Depth "H" (100mm)	
100	DHGBE3W100	DHGBE5W100	1.6
200	DHGBE3W200	DHGBE5W200	1.6
300	DHGBE3W300	DHGBE5W300	1.6
450	DHGBE3W450	DHGBE5W450	1.6
600	DHGBE3W600	DHGBE5W600	1.6



External Riser 90° c/w Cover			
Width "W" (mm)	Part No. / SAP Des.		Thick (mm)
	Depth "H" (50mm)	Depth "H" (100mm)	
100	DHGER3W100	DHGER5W100	1.6
200	DHGER3W200	DHGER5W200	1.6
300	DHGER3W300	DHGER5W300	1.6
450	DHGER3W450	DHGER5W450	1.6
600	DHGER3W600	DHGER5W600	1.6



Internal Riser 90° c/w Cover			
Width "W" (mm)	Part No. / SAP Des.		Thick (mm)
	Depth "H" (50mm)	Depth "H" (100mm)	
100	DHGIR3W100	DHGIR5W100	1.6
200	DHGIR3W200	DHGIR5W200	1.6
300	DHGIR3W300	DHGIR5W300	1.6
450	DHGIR3W450	DHGIR5W450	1.6
600	DHGIR3W600	DHGIR5W600	1.6

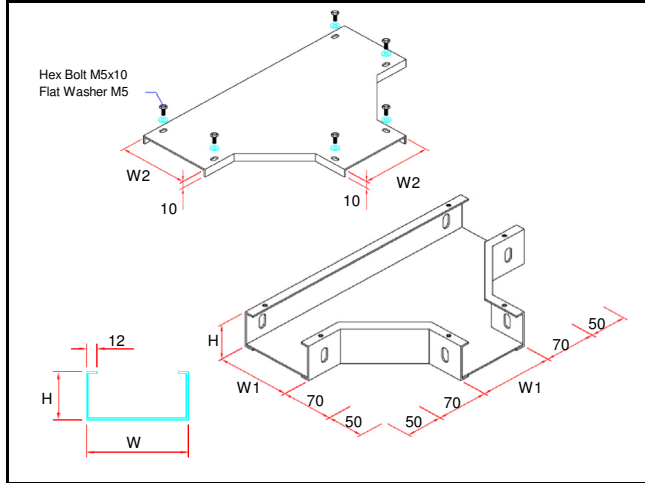


Note Standard unit comprises of body, pre-drilled cover and fixing screws
 Other thickness or widths more than 600W available on request and Thickness is 2.0mmT.
Finish Hot Dipped Galvanised, Pre Galvanised, Aluminium, Stainless Steel SS304 / SS316 or Painted

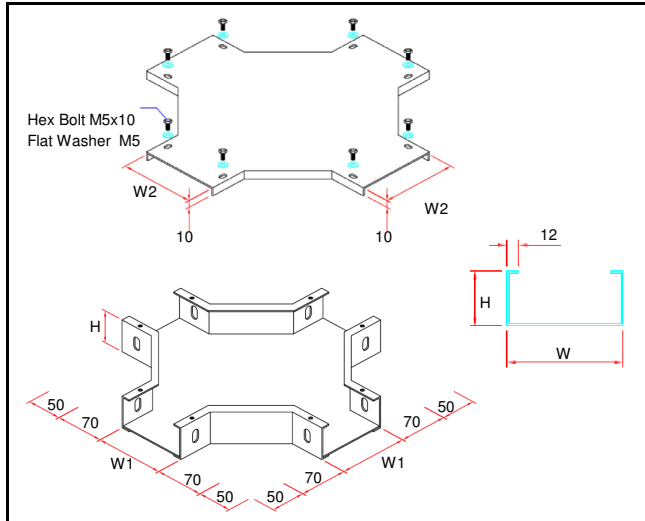
ACS ORIGINALSTRUT®; CABLE DUCT & TRUNKING

Accessories - Tees, Crosses & Connector Plate

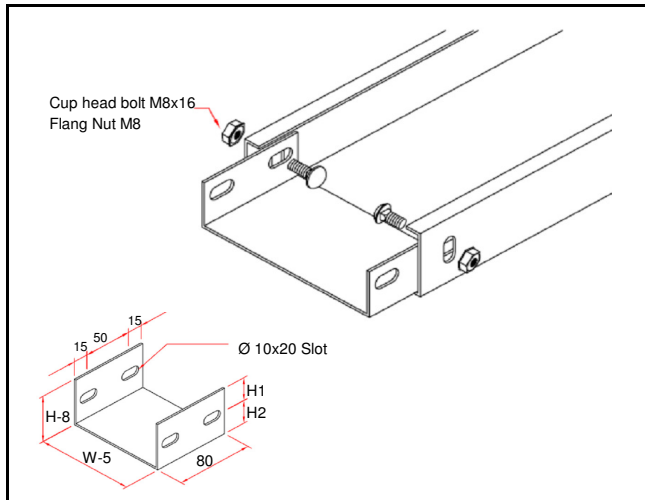
Horizontal Tee 90° c/w Cover			
Width "W" (mm)	Part No. / SAP Des.		Thick (mm)
	Depth "H" (50mm)	Depth "H" (100mm)	
100	DHGTE3W100	DHGTE5W100	1.6
200	DHGTE3W200	DHGTE5W200	1.6
300	DHGTE3W300	DHGTE5W300	1.6
450	DHGTE3W450	DHGTE5W450	1.6
600	DHGTE3W600	DHGTE5W600	1.6



Horizontal Cross 90° c/w Cover			
Width "W" (mm)	Part No. / SAP Des.		Thick (mm)
	Depth "H" (50mm)	Depth "H" (100mm)	
100	DHGCE3W100	DHGCE5W100	1.6
200	DHGCE3W200	DHGCE5W200	1.6
300	DHGCE3W300	DHGCE5W300	1.6
450	DHGCE3W450	DHGCE5W450	1.6
600	DHGCE3W600	DHGCE5W600	1.6



Connector Plate			
Width "W" (mm)	Part No. / SAP Des.		Thick (mm)
	Depth "H" (50mm)	Depth "H" (100mm)	
100	DHGCP3W100	DHGCP5W100	1.6
200	DHGCP3W200	DHGCP5W200	1.6
300	DHGCP3W300	DHGCP5W300	1.6
450	DHGCP3W450	DHGCP5W450	1.6
600	DHGCP3W600	DHGCP5W600	1.6



Note Standard unit comprises of body, pre drilled Cover and Fixing screws

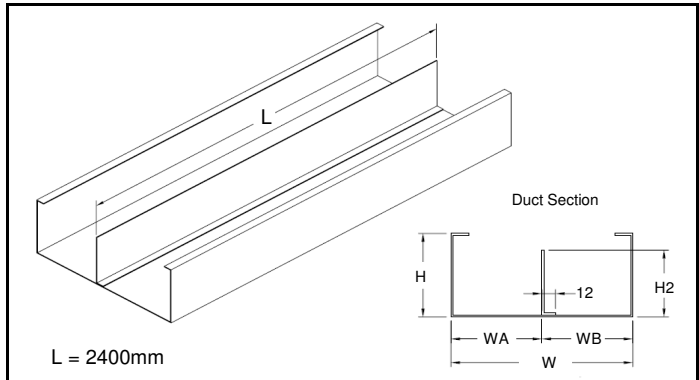
Other thickness or widths more than 600W available on request and Thickness is 2.0mmT.

Finish Hot Dipped Galvanised, Pre Galvanised, Aluminium, Stainless Steel Grade 304 / 316 or Painted

ACS ORIGINALSTRUT®; CABLE DUCT & TRUNKING

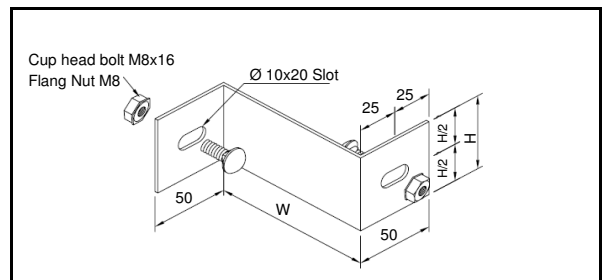
Cable Duct & Trunking - Accessories

Duct Divider		
Part No. / SAP Des.		Thick (mm)
Depth "H" (50mm)	Depth "H" (100mm)	
DHGDVSH050	DHGDVSH100	1.6

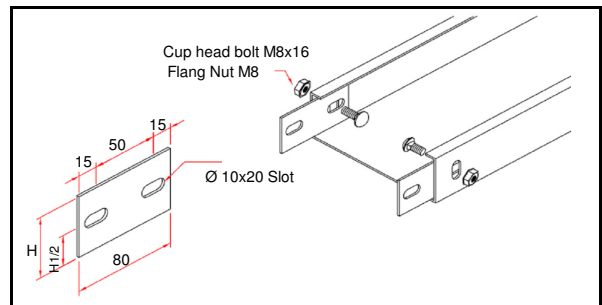


*WA/WB As per require

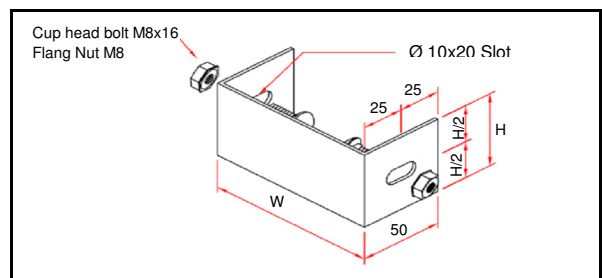
Reducer Plate			
Width "W" (mm)	Part No. / SAP Des.		Thick (mm)
	Depth "H" (50mm)	Depth "H" (100mm)	
100	DHGRP3W100	DHGRP5W100	1.6
150	DHGRP3W150	DHGRP5W150	1.6
200	DHGRP3W200	DHGRP5W200	1.6
300	DHGRP3W300	DHGRP5W300	1.6



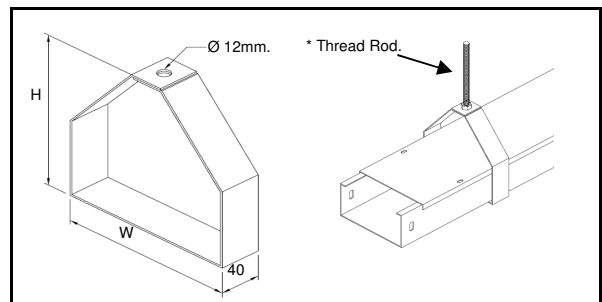
Splice Plate		
Part No. / SAP Des.		Thick (mm)
Depth "H" (50mm)	Depth "H" (100mm)	
DTHGSSPH050	DTHGSSPH100	1.6



End Plate			
Width "W" (mm)	Part No. / SAP Des.		Thick (mm)
	Depth "H" (50mm)	Depth "H" (100mm)	
100	DHGEP3W100	DHGEP5W100	1.6
200	DHGEP3W200	DHGEP5W200	1.6
300	DHGEP3W300	DHGEP5W300	1.6
450	DHGEP3W450	DHGEP5W450	1.6
600	DHGEP3W600	DHGEP5W600	1.6



Duct Hanger			
Width "W" (mm)	Part No. / SAP Des.		Thick (mm)
	Depth "H" (50mm)	Depth "H" (100mm)	
100	DHGDH3W100	DHGDH5W100	1.6
200	DHGDH3W200	DHGDH5W200	1.6
300	DHGDH3W300	DHGDH5W300	1.6
450	DHGDH3W450	DHGDH5W450	1.6
600	DHGDH3W600	DHGDH5W600	1.6



Note Standard unit comprises of body, pre-drilled cover and fixing screws
Other thickness or widths more than 600W available on request and Thickness is 2.0mmT.

* Threaded Rod available on request

Finish Hot Dipped Galvanised, Pre Galvanised, Aluminium, Stainless Steel Grade 304 / 316 or Painted