



Part No.	Part No.	Part No.	Part No.	Part No.	Part No.
<b>CABLE TRAYS MEDIUM DUTY</b>					
<b>H25</b>				<b>H50</b>	
THGSTMD2W050 06 - 06	CTHGBEW200 03 - 07	THGTEMD4W600 03 - 07		THGERMD3W050 03 - 08	CTHGSRW200 03 - 08
THGSTMD2W100 06 - 06	CTHGBEW300 03 - 07	THGTEMD4W750 03 - 07		THGERMD3W100 03 - 08	CTHGSRW300 03 - 08
THGSTMD2W150 06 - 06	CTHGBEW450 03 - 07	THGTEMD4W900 03 - 07		THGERMD3W150 03 - 08	CTHGSRW450 03 - 08
THGSTMD2W200 06 - 06	CTHGBEW600 03 - 07	<b>H100</b>		THGERMD3W200 03 - 08	CTHGSRW600 03 - 08
THGSTMD2W300 06 - 06	CTHGBEW750 03 - 07	THGTEMD5W050 03 - 07		THGERMD3W300 03 - 08	CTHGSRW750 03 - 08
THGSTMD2W450 06 - 06	CTHGBEW900 03 - 07	THGTEMD5W100 03 - 07		THGERMD3W450 03 - 08	CTHGSRW900 03 - 08
THGSTMD2W600 06 - 06		THGTEMD5W150 03 - 07		THGERMD3W600 03 - 08	
THGSTMD2W750 06 - 06	<b>90D CROSS EQUAL-MD</b>	THGTEMD5W200 03 - 07		THGERMD3W750 03 - 08	<b>TRAY RIGHT HAND REDUCER-MD</b>
THGSTMD2W900 06 - 06	<b>H25</b>	THGTEMD5W300 03 - 07		THGERMD3W900 03 - 08	<b>H25</b>
	THGCEMD2W050 03 - 07	THGTEMD5W450 03 - 07			THGRRMD2W050 03 - 09
	THGCEMD2W100 03 - 07	THGTEMD5W600 03 - 07			THGRRMD2W100 03 - 09
	THGCEMD2W150 03 - 07	THGTEMD5W750 03 - 07			THGRRMD2W130 03 - 09
	THGCEMD2W200 03 - 07	THGTEMD5W900 03 - 07			THGRRMD2W200 03 - 09
	THGCEMD2W300 03 - 07	<b>COVER TEE</b>			THGRRMD2W300 03 - 09
	THGCEMD2W450 03 - 07	CTHGTW050 03 - 07			THGRRMD2W450 03 - 09
	THGCEMD2W600 03 - 07	CTHGTW100 03 - 07			THGRRMD2W600 03 - 09
	THGCEMD2W750 03 - 07	CTHGTW150 03 - 07			THGRRMD2W750 03 - 09
	THGCEMD2W900 03 - 07	CTHGTW200 03 - 07			
<b>H50</b>		CTHGTW200 03 - 07			THGRRMD3W050 03 - 09
THGSTMD3W050 06 - 06	THGCEMD3W050 03 - 07	CTHGTW300 03 - 07			THGRRMD3W100 03 - 09
THGSTMD3W100 06 - 06	THGCEMD3W100 03 - 07	CTHGTW450 03 - 07			THGRRMD3W130 03 - 09
THGSTMD3W150 06 - 06	THGCEMD3W150 03 - 07	CTHGTW600 03 - 07			THGRRMD3W200 03 - 09
THGSTMD3W200 06 - 06	THGCEMD3W200 03 - 07	CTHGTW750 03 - 07			THGRRMD3W300 03 - 09
THGSTMD3W300 06 - 06	THGCEMD3W300 03 - 07	CTHGTW900 03 - 07			THGRRMD3W450 03 - 09
THGSTMD3W450 06 - 06	THGCEMD3W450 03 - 07	<b>90D INTERNAL RISER-MD</b>			THGRRMD3W600 03 - 09
THGSTMD3W600 06 - 06	THGCEMD3W600 03 - 07	<b>H25</b>			THGRRMD3W750 03 - 09
THGSTMD3W750 06 - 06	THGCEMD3W750 03 - 07	THGIRMD2W050 03 - 08			
THGSTMD3W900 06 - 06	THGCEMD3W900 03 - 07	THGIRMD2W100 03 - 08			<b>H75</b>
		THGIRMD2W150 03 - 08			THGRRMD4W050 03 - 09
		THGIRMD2W200 03 - 08			THGRRMD4W100 03 - 09
		THGIRMD2W200 03 - 08			THGRRMD4W130 03 - 09
		THGIRMD2W300 03 - 08			THGRRMD4W200 03 - 09
		THGIRMD2W450 03 - 08			THGRRMD4W300 03 - 09
		THGIRMD2W600 03 - 08			THGRRMD4W450 03 - 09
		THGIRMD2W750 03 - 08			THGRRMD4W600 03 - 09
		THGIRMD2W900 03 - 08			THGRRMD4W750 03 - 09
		<b>H50</b>			
		THGIRMD3W050 03 - 08			<b>H100</b>
		THGIRMD3W100 03 - 08			THGRRMD5W050 03 - 09
		THGIRMD3W150 03 - 08			THGRRMD5W100 03 - 09
		THGIRMD3W200 03 - 08			THGRRMD5W130 03 - 09
		THGIRMD3W300 03 - 08			THGRRMD5W200 03 - 09
		THGIRMD3W450 03 - 08			THGRRMD5W300 03 - 09
		THGIRMD3W600 03 - 08			THGRRMD5W450 03 - 09
		THGIRMD3W750 03 - 08			THGRRMD5W600 03 - 09
		THGIRMD3W900 03 - 08			THGRRMD5W750 03 - 09
		<b>H75</b>			<b>COVER REDUCER RH</b>
		THGIRMD4W050 03 - 08			CTHGRRW050 03 - 09
		THGIRMD4W100 03 - 08			CTHGRRW100 03 - 09
		THGIRMD4W150 03 - 08			CTHGRRW130 03 - 09
		THGIRMD4W200 03 - 08			CTHGRRW200 03 - 09
		THGIRMD4W300 03 - 08			CTHGRRW300 03 - 09
		THGIRMD4W450 03 - 08			CTHGRRW450 03 - 09
		THGIRMD4W600 03 - 08			CTHGRRW600 03 - 09
		THGIRMD4W750 03 - 08			CTHGRRW750 03 - 09
		THGIRMD4W900 03 - 08			
		<b>H100</b>			<b>TRAY LEFT HAND REDUCER-MD</b>
		THGIRMD5W050 03 - 08			<b>H25</b>
		THGIRMD5W100 03 - 08			THGLRMD2W050 03 - 09
		THGIRMD5W150 03 - 08			THGLRMD2W100 03 - 09
		THGIRMD5W200 03 - 08			THGLRMD2W130 03 - 09
		THGIRMD5W300 03 - 08			THGLRMD2W200 03 - 09
		THGIRMD5W450 03 - 08			THGLRMD2W300 03 - 09
		THGIRMD5W600 03 - 08			THGLRMD2W450 03 - 09
		THGIRMD5W750 03 - 08			THGLRMD2W600 03 - 09
		THGIRMD5W900 03 - 08			THGLRMD2W750 03 - 09
		<b>COVER IN RISER</b>			
		CTHGIRW050 03 - 08			<b>H50</b>
		CTHGIRW100 03 - 08			THGLRMD3W050 03 - 09
		CTHGIRW130 03 - 08			THGLRMD3W100 03 - 09
		CTHGIRW200 03 - 08			THGLRMD3W130 03 - 09
		CTHGIRW300 03 - 08			THGLRMD3W200 03 - 09
		CTHGIRW450 03 - 08			THGLRMD3W300 03 - 09
		CTHGIRW600 03 - 08			THGLRMD3W450 03 - 09
		CTHGIRW750 03 - 08			THGLRMD3W600 03 - 09
		CTHGIRW900 03 - 08			THGLRMD3W750 03 - 09
		<b>90D EXTERNAL RISER-MD</b>			
		<b>H25</b>			<b>H75</b>
		THGERMD2W050 03 - 08			THGSRMD5W050 03 - 08
		THGERMD2W100 03 - 08			THGSRMD5W100 03 - 08
		THGERMD2W150 03 - 08			THGSRMD5W130 03 - 08
		THGERMD2W200 03 - 08			THGSRMD5W200 03 - 08
		THGERMD2W300 03 - 08			THGSRMD5W300 03 - 08
		THGERMD2W450 03 - 08			THGSRMD5W450 03 - 08
		THGERMD2W600 03 - 08			THGSRMD5W600 03 - 08
		THGERMD2W750 03 - 08			THGSRMD5W750 03 - 08
		THGERMD2W900 03 - 08			THGSRMD5W900 03 - 08
		<b>H50</b>			<b>COVER STRAIGHT REDUCER</b>
		THGERMD3W050 03 - 08			CTHGSRW050 03 - 08
		THGERMD3W100 03 - 08			CTHGSRW100 03 - 08
		THGERMD3W150 03 - 08			CTHGSRW130 03 - 08
		THGERMD3W200 03 - 08			
		THGERMD3W300 03 - 08			
		THGERMD3W450 03 - 08			
		THGERMD3W600 03 - 08			
		THGERMD3W750 03 - 08			
		THGERMD3W900 03 - 08			
		<b>H100</b>			
		THGERMD4W050 03 - 08			
		THGERMD4W100 03 - 08			
		THGERMD4W130 03 - 08			
		THGERMD4W200 03 - 08			
		THGERMD4W300 03 - 08			
		THGERMD4W450 03 - 08			
		THGERMD4W600 03 - 08			
		THGERMD4W750 03 - 08			
		THGERMD4W900 03 - 08			

**INDEX**  
**03 : CABLE TRAYS**

Part No.		Part No.		Part No.		Part No.		Part No.	
THGLRMD5W300	03 - 09	<b>COVER BEND</b>		THGTEHD4W200	03 - 11	<b>H75</b>		THGRRHD2W200	03 - 13
THGLRMD5W450	03 - 09	CTHGBEW050	03 - 11	THGTEHD4W300	03 - 11	THGERHD4W050	03 - 12	THGRRHD2W300	03 - 13
THGLRMD5W600	03 - 09	CTHGBEW100	03 - 11	THGTEHD4W450	03 - 11	THGERHD4W150	03 - 12	THGRRHD2W450	03 - 13
THGLRMD5W750	03 - 09	CTHGBEW150	03 - 11	<b>COVER TEE</b>		THGERHD4W200	03 - 12	THGRRHD2W600	03 - 13
<b>COVER REDUCER LH</b>		CTHGBEW200	03 - 11	CTHGTEW050	03 - 11	THGERHD4W300	03 - 12	THGRRHD2W750	03 - 13
CTHGRLW050	03 - 09	CTHGBEW300	03 - 11	CTHGTEW100	03 - 11	THGERHD4W450	03 - 12	<b>H50</b>	
CTHGRLW100	03 - 09	CTHGBEW450	03 - 11	CTHGTEW150	03 - 11	THGERHD4W600	03 - 12	THGRRHD3W050	03 - 13
CTHGRLW130	03 - 09	CTHGBEW600	03 - 11	CTHGTEW200	03 - 11	THGERHD4W750	03 - 12	THGRRHD3W100	03 - 13
CTHGRLW200	03 - 09	CTHGBEW750	03 - 11	CTHGTEW300	03 - 11	THGERHD4W900	03 - 12	THGRRHD3W130	03 - 13
CTHGRLW300	03 - 09	CTHGBEW900	03 - 11	CTHGTEW450	03 - 11	<b>H100</b>		THGRRHD3W200	03 - 13
CTHGRLW450	03 - 09	<b>90D CROSS EQUAL-HD</b>		CTHGTEW600	03 - 11	THGERHD5W050	03 - 12	THGRRHD3W300	03 - 13
CTHGRLW600	03 - 09	<b>H25</b>		CTHGTEW750	03 - 11	THGERHD5W100	03 - 12	THGRRHD3W450	03 - 13
CTHGRLW750	03 - 09	THGCEHD2W050	03 - 11	CTHGTEW900	03 - 11	THGERHD5W130	03 - 12	THGRRHD3W600	03 - 13
<b>CABLE TRAYS-HD</b>		THGCEHD2W150	03 - 11	<b>90D INTERNAL RISER-HD</b>		THGERHD5W200	03 - 12	THGRRHD3W750	03 - 13
<b>H25</b>		THGCEHD2W200	03 - 11	<b>H25</b>		THGERHD5W300	03 - 12	<b>H75</b>	
THGSTHD2W075	03 - 10	THGCEHD2W300	03 - 11	THGIRHD2W050	03 - 12	THGERHD5W450	03 - 12	THGRRHD4W050	03 - 13
THGSTHD2W100	03 - 10	THGCEHD2W450	03 - 11	THGIRHD2W100	03 - 12	THGERHD5W600	03 - 12	THGRRHD4W100	03 - 13
THGSTHD2W150	03 - 10	THGCEHD2W600	03 - 11	THGIRHD2W150	03 - 12	THGERHD5W750	03 - 12	THGRRHD4W130	03 - 13
THGSTHD2W200	03 - 10	THGCEHD2W750	03 - 11	THGIRHD2W200	03 - 12	THGERHD5W900	03 - 12	THGRRHD4W200	03 - 13
THGSTHD2W300	03 - 10	THGCEHD2W900	03 - 11	THGIRHD2W300	03 - 12	<b>COVER EX. RISER</b>		THGRRHD4W300	03 - 13
THGSTHD2W450	03 - 10	<b>H50</b>		THGIRHD2W450	03 - 12	CTHGERW050	03 - 12	THGRRHD4W450	03 - 13
THGSTHD2W600	03 - 10	THGCEHD3W050	03 - 11	THGIRHD2W600	03 - 12	CTHGERW100	03 - 12	THGRRHD4W600	03 - 13
THGSTHD2W750	03 - 10	THGCEHD3W100	03 - 11	THGIRHD2W750	03 - 12	CTHGERW130	03 - 12	THGRRHD4W750	03 - 13
THGSTHD2W900	03 - 10	THGCEHD3W150	03 - 11	THGIRHD2W900	03 - 12	CTHGERW200	03 - 12	<b>H100</b>	
<b>H50</b>		THGCEHD3W200	03 - 11	<b>H50</b>		CTHGERW300	03 - 12	THGRRHD5W050	03 - 13
THGSTHD3W075	03 - 10	THGCEHD3W300	03 - 11	THGIRHD3W050	03 - 12	CTHGERW450	03 - 12	THGRRHD5W100	03 - 13
THGSTHD3W100	03 - 10	THGCEHD3W450	03 - 11	THGIRHD3W100	03 - 12	CTHGERW600	03 - 12	THGRRHD5W130	03 - 13
THGSTHD3W150	03 - 10	THGCEHD3W600	03 - 11	THGIRHD3W150	03 - 12	CTHGERW750	03 - 12	THGRRHD5W200	03 - 13
THGSTHD3W200	03 - 10	THGCEHD3W750	03 - 11	THGIRHD3W200	03 - 12	CTHGERW900	03 - 12	THGRRHD5W300	03 - 13
THGSTHD3W300	03 - 10	THGCEHD3W900	03 - 11	THGIRHD3W300	03 - 12	<b>STRAIGHT REDUCER-HD</b>		THGRRHD5W450	03 - 13
THGSTHD3W450	03 - 10	<b>H75</b>		THGIRHD3W450	03 - 12	<b>H25</b>		THGRRHD5W600	03 - 13
THGSTHD3W600	03 - 10	THGCEHD4W050	03 - 11	THGIRHD3W600	03 - 12	THGSRHD2W050	03 - 12	THGRRHD5W750	03 - 13
THGSTHD3W750	03 - 10	THGCEHD4W100	03 - 11	THGIRHD3W750	03 - 12	THGSRHD2W100	03 - 12	<b>COVER REDUCER RH</b>	
THGSTHD3W900	03 - 10	THGCEHD4W150	03 - 11	THGIRHD3W900	03 - 12	THGSRHD2W130	03 - 12	CTHGERW050	03 - 13
<b>H100</b>		THGCEHD4W200	03 - 11	<b>H75</b>		THGSRHD2W200	03 - 12	CTHGERW100	03 - 13
THGSTHD5W075	03 - 10	THGCEHD4W300	03 - 11	THGIRHD4W050	03 - 12	THGSRHD2W300	03 - 12	CTHGERW130	03 - 13
THGSTHD5W100	03 - 10	THGCEHD4W450	03 - 11	THGIRHD4W100	03 - 12	THGSRHD2W450	03 - 12	CTHGERW200	03 - 13
THGSTHD5W150	03 - 10	THGCEHD4W600	03 - 11	THGIRHD4W150	03 - 12	THGSRHD2W600	03 - 12	CTHGERW300	03 - 13
THGSTHD5W200	03 - 10	THGCEHD4W750	03 - 11	THGIRHD4W200	03 - 12	THGSRHD2W750	03 - 12	CTHGERW450	03 - 13
THGSTHD5W300	03 - 10	THGCEHD4W900	03 - 11	THGIRHD4W300	03 - 12	THGSRHD2W900	03 - 12	CTHGERW600	03 - 13
THGSTHD5W450	03 - 10	<b>H100</b>		THGIRHD4W450	03 - 12	<b>H50</b>		CTHGERW750	03 - 13
THGSTHD5W600	03 - 10	THGCEHD5W050	03 - 11	THGIRHD4W600	03 - 12	THGSRHD3W050	03 - 12	CTHGERW900	03 - 13
THGSTHD5W750	03 - 10	THGCEHD5W100	03 - 11	THGIRHD4W750	03 - 12	THGSRHD3W100	03 - 12	<b>TRAY LEFT HAND REDUCER-HD</b>	
THGSTHD5W900	03 - 10	THGCEHD5W150	03 - 11	THGIRHD4W900	03 - 12	THGSRHD3W130	03 - 12	<b>H25</b>	
<b>90D BEND EQUAL-HD</b>		THGCEHD5W200	03 - 11	<b>H100</b>		THGSRHD3W200	03 - 12	THGLRHD2W050	03 - 13
<b>H25</b>		THGCEHD5W300	03 - 11	THGIRHD5W050	03 - 12	THGSRHD3W300	03 - 12	THGLRHD2W100	03 - 13
THGBEHD2W050	03 - 11	THGCEHD5W450	03 - 11	THGIRHD5W100	03 - 12	THGSRHD3W450	03 - 12	THGLRHD2W130	03 - 13
THGBEHD2W100	03 - 11	THGCEHD5W600	03 - 11	THGIRHD5W150	03 - 12	THGSRHD3W600	03 - 12	THGLRHD2W200	03 - 13
THGBEHD2W150	03 - 11	THGCEHD5W750	03 - 11	THGIRHD5W200	03 - 12	THGSRHD3W750	03 - 12	THGLRHD2W300	03 - 13
THGBEHD2W200	03 - 11	THGCEHD5W900	03 - 11	THGIRHD5W300	03 - 12	THGSRHD3W900	03 - 12	THGLRHD2W450	03 - 13
THGBEHD2W300	03 - 11	<b>COVER CROSS</b>		THGIRHD5W450	03 - 12	<b>H75</b>		THGLRHD2W600	03 - 13
THGBEHD2W450	03 - 11	CTHGCEW050	03 - 11	THGIRHD5W600	03 - 12	THGSRHD4W050	03 - 12	THGLRHD2W750	03 - 13
THGBEHD2W600	03 - 11	CTHGCEW100	03 - 11	THGIRHD5W750	03 - 12	THGSRHD4W100	03 - 12	<b>H50</b>	
THGBEHD2W750	03 - 11	CTHGCEW150	03 - 11	THGIRHD5W900	03 - 12	THGSRHD4W130	03 - 12	THGLRHD3W050	03 - 13
THGBEHD2W900	03 - 11	CTHGCEW200	03 - 11	<b>COVER IN. RISER</b>		THGSRHD4W200	03 - 12	THGLRHD3W100	03 - 13
<b>H50</b>		CTHGCEW300	03 - 11	CTHGIRW050	03 - 12	THGSRHD4W300	03 - 12	THGLRHD3W130	03 - 13
THGBEHD3W050	03 - 11	CTHGCEW450	03 - 11	CTHGIRW100	03 - 12	THGSRHD4W450	03 - 12	THGLRHD3W200	03 - 13
THGBEHD3W100	03 - 11	CTHGCEW600	03 - 11	CTHGIRW130	03 - 12	THGSRHD4W600	03 - 12	THGLRHD3W300	03 - 13
THGBEHD3W150	03 - 11	CTHGCEW750	03 - 11	CTHGIRW200	03 - 12	THGSRHD4W750	03 - 12	THGLRHD3W450	03 - 13
THGBEHD3W200	03 - 11	CTHGCEW900	03 - 11	CTHGIRW300	03 - 12	THGSRHD4W900	03 - 12	THGLRHD3W600	03 - 13
THGBEHD3W300	03 - 11	<b>90D TEE EQUAL-HD</b>		CTHGIRW450	03 - 12	<b>H100</b>		THGLRHD3W750	03 - 13
THGBEHD3W450	03 - 11	<b>H25</b>		CTHGIRW600	03 - 12	THGSRHD5W050	03 - 12	<b>H75</b>	
THGBEHD3W600	03 - 11	THGTEHD2W050	03 - 11	CTHGIRW750	03 - 12	THGSRHD5W100	03 - 12	THGLRHD4W050	03 - 13
THGBEHD3W750	03 - 11	THGTEHD2W100	03 - 11	CTHGIRW900	03 - 12	THGSRHD5W130	03 - 12	THGLRHD4W100	03 - 13
THGBEHD3W900	03 - 11	THGTEHD2W150	03 - 11	<b>90D EXTERNAL RISER-HD</b>		THGSRHD5W200	03 - 12	THGLRHD4W130	03 - 13
<b>H75</b>		THGTEHD2W200	03 - 11	<b>H25</b>		THGSRHD5W300	03 - 12	THGLRHD4W200	03 - 13
THGBEHD4W050	03 - 11	THGTEHD2W300	03 - 11	THGERHD2W050	03 - 12	THGSRHD5W450	03 - 12	THGLRHD4W300	03 - 13
THGBEHD4W100	03 - 11	THGTEHD2W450	03 - 11	THGERHD2W100	03 - 12	THGSRHD5W600	03 - 12	THGLRHD4W450	03 - 13
THGBEHD4W150	03 - 11	THGTEHD2W600	03 - 11	THGERHD2W150	03 - 12	THGSRHD5W750	03 - 12	THGLRHD4W600	03 - 13
THGBEHD4W200	03 - 11	THGTEHD2W750	03 - 11	THGERHD2W200	03 - 12	THGSRHD5W900	03 - 12	THGLRHD4W750	03 - 13
THGBEHD4W300	03 - 11	THGTEHD2W900	03 - 11	THGERHD2W300	03 - 12	<b>COVER STRAIGHT REDUCER</b>		<b>H100</b>	
THGBEHD4W450	03 - 11	<b>H50</b>		THGERHD2W450	03 - 12	CTHGSRW050	03 - 12	THGLRHD5W050	03 - 13
THGBEHD4W600	03 - 11	THGTEHD3W050	03 - 11	THGERHD2W600	03 - 12	CTHGSRW100	03 - 12	THGLRHD5W100	03 - 13
THGBEHD4W750	03 - 11	THGTEHD3W100	03 - 11	THGERHD2W750	03 - 12	CTHGSRW130	03 - 12	THGLRHD5W130	03 - 13
THGBEHD4W900	03 - 11	THGTEHD3W150	03 - 11	THGERHD2W900	03 - 12	CTHGSRW200	03 - 12	THGLRHD5W200	03 - 13
<b>H100</b>		THGTEHD3W200	03 - 11	<b>H50</b>		CTHGSRW300	03 - 12	THGLRHD5W300	03 - 13
THGBEHD5W050	03 - 11	THGTEHD3W300	03 - 11	THGERHD3W050	03 - 12	CTHGSRW450	03 - 12	THGLRHD5W450	03 - 13
THGBEHD5W100	03 - 11	THGTEHD3W450	03 - 11	THGERHD3W100	03 - 12	CTHGSRW750	03 - 12	THGLRHD5W600	03 - 13
THGBEHD5W150	03 - 11	THGTEHD3W600	03 - 11	THGERHD3W150	03 - 12	CTHGSRW900	03 - 12	THGLRHD5W750	03 - 13
THGBEHD5W200	03 - 11	THGTEHD3W750	03 - 11	THGERHD3W200	03 - 12	<b>TRAY RIGHT HAND REDUCER-HD</b>		<b>COVER REDUCER LH</b>	
THGBEHD5W300	03 - 11	THGTEHD3W900	03 - 11	THGERHD3W300	03 - 12	<b>H25</b>		CTHGRLW050	03 - 13
THGBEHD5W450	03 - 11	<b>H75</b>		THGERHD3W450	03 - 12	THGRRHD2W050	03 - 13	CTHGRLW100	03 - 13
THGBEHD5W600	03 - 11	THGTEHD4W050	03 - 11	THGERHD3W600	03 - 12	THGRRHD2W100	03 - 13	CTHGRLW130	03 - 13
THGBEHD5W750	03 - 11	THGTEHD4W100	03 - 11	THGERHD3W750	03 - 12	THGRRHD2W130	03 - 13	CTHGRLW200	03 - 13
THGBEHD5W900	03 - 11	THGTEHD4W150	03 - 11	THGERHD3W900	03 - 12			CTHGRLW300	03 - 13

Part No.	Part No.	Part No.	Part No.	Part No.	
CTHGRLW600	03 - 13	<b>TRAY EXPANSION SPLICE PLATE</b>	THGSEPH025	03 - 16	
CTHGRWL750	03 - 13	THGESPH050	03 - 16	THGSEPH100	03 - 17
		THGESPH075	03 - 16	<b>TRAY COVER CLAMP</b>	
		THGESPH100	03 - 16	THGCCH025	03 - 17
<b>TRAY COVER</b>		<b>TRAY END PLATE</b>		THGCCH050	03 - 17
<b>COVER STRAIGHT</b>		<b>H25</b>		THGCCH075	03 - 17
CTHGSTW050	03 - 14	THG2EPW050	03 - 10	THGCCH100	03 - 17
CTHGSTW075	03 - 14	THG2EPW100	03 - 10	THGZCH025	03 - 17
CTHGSTW100	03 - 14	THG2EPW130	03 - 10	THGZCH050	03 - 17
CTHGSTW150	03 - 14	THG2EPW200	03 - 10	THGZCH075	03 - 17
CTHGSTW300	03 - 14	THG2EPW300	03 - 10	THGZCH100	03 - 17
CTHGSTW450	03 - 14	THG2EPW450	03 - 10		
CTHGSTW600	03 - 14	THG2EPW600	03 - 10	<b>TRAY J HOOK COVER CLAMP</b>	
CTHGSTW750	03 - 14	THG2EPW750	03 - 10	<b>H25</b>	
CTHGSTW900	03 - 14	THG2EPW900	03 - 10	THG2JCW050	03 - 17
		<b>H50</b>		THG2JCW100	03 - 17
<b>COVER PEAKED ST.</b>		THG3EPW050	03 - 10	THG2JCW130	03 - 17
CTHGPKW050	03 - 14	THG3EPW100	03 - 10	THG2JCW200	03 - 17
CTHGPKW075	03 - 14	THG3EPW130	03 - 10	THG2JCW300	03 - 17
CTHGPKW100	03 - 14	THG3EPW200	03 - 10	THG2JCW450	03 - 17
CTHGPKW150	03 - 14	THG3EPW300	03 - 10	THG2JCW600	03 - 17
CTHGPKW200	03 - 14	THG3EPW450	03 - 10	THG2JCW750	03 - 17
CTHGPKW300	03 - 14	THG3EPW600	03 - 10	THG2JCW900	03 - 17
CTHGPKW450	03 - 14	THG3EPW750	03 - 10	<b>H50</b>	
CTHGPKW600	03 - 14	THG3EPW900	03 - 10	THG3JCW050	03 - 17
CTHGPKW750	03 - 14	<b>H75</b>		THG3JCW100	03 - 17
CTHGPKW900	03 - 14	THG4EPW050	03 - 10	THG3JCW130	03 - 17
		THG4EPW100	03 - 10	THG3JCW200	03 - 17
<b>COVER VENTILATED ST.</b>		THG4EPW130	03 - 10	THG3JCW300	03 - 17
CTHGVSW050	03 - 14	THG4EPW200	03 - 10	THG3JCW450	03 - 17
CTHGVSW075	03 - 14	THG4EPW300	03 - 10	THG3JCW600	03 - 17
CTHGVSW100	03 - 14	THG4EPW450	03 - 10	THG3JCW750	03 - 17
CTHGVSW150	03 - 14	THG4EPW600	03 - 10	THG3JCW900	03 - 17
CTHGVSW200	03 - 14	THG4EPW750	03 - 10	<b>H75</b>	
CTHGVSW300	03 - 14	THG4EPW900	03 - 10	THG4JCW050	03 - 17
CTHGVSW450	03 - 14	<b>H100</b>		THG4JCW100	03 - 17
CTHGVSW600	03 - 14	THG5EPW050	03 - 16	THG4JCW130	03 - 17
CTHGVSW750	03 - 14	THG5EPW100	03 - 16	THG4JCW200	03 - 17
CTHGVSW900	03 - 14	THG5EPW130	03 - 16	THG4JCW300	03 - 17
<b>TRAY STRAIGHT SPLICE PLATE</b>		THG5EPW200	03 - 16	THG4JCW450	03 - 17
THGSSPH025	03 - 15	THG5EPW300	03 - 16	THG4JCW600	03 - 17
THGSSPH050	03 - 15	THG5EPW450	03 - 16	THG4JCW750	03 - 17
THGSSPH075	03 - 15	THG5EPW600	03 - 16	THG4JCW900	03 - 17
THGSSPH100	03 - 15	THG5EPW750	03 - 16	<b>H100</b>	
<b>TRAY VER. SPLICE PLATE</b>		THG5EPW900	03 - 16	THG5JCW050	03 - 17
THGVSPH025	03 - 15	<b>TRAY REDUCER PLATE</b>		THG5JCW100	03 - 17
THGVSPH050	03 - 15	<b>H25</b>		THG5JCW130	03 - 17
THGVSPH075	03 - 15	THG2RPW050	03 - 16	THG5JCW200	03 - 17
THGVSPH100	03 - 15	THG2RPW100	03 - 16	THG5JCW300	03 - 17
<b>TRAY SPLICE PLATE-HD</b>		THG2RPW130	03 - 16	THG5JCW450	03 - 17
THGVSPH025	03 - 15	THG2RPW200	03 - 16	THG5JCW600	03 - 17
THGVSPH050	03 - 15	THG2RPW300	03 - 16	THG5JCW750	03 - 17
THGVSPH100	03 - 15	<b>H50</b>		THG5JCW900	03 - 17
<b>TRAY FISH PLATE FOR-LD</b>		THG3RPW050	03 - 16		
THGTFPW050	03 - 15	THG3RPW100	03 - 16	<b>CABLE MESH BASKETS</b>	
THGTFPW100	03 - 15	THG3RPW130	03 - 16	MHGST2W130	03 - 18
THGTFPW130	03 - 15	THG3RPW200	03 - 16	MHGST2W225	03 - 18
THGTFPW200	03 - 15	THG3RPW300	03 - 16	MHGST2W300	03 - 18
THGTFPW300	03 - 15	<b>H75</b>		MHGST2W450	03 - 18
THGTFPW450	03 - 15	THG4RPW050	03 - 16		
THGTFPW600	03 - 15	THG4RPW100	03 - 16	<b>CABLE MESH BASKETS-Accessories</b>	
THGTFPW750	03 - 15	THG4RPW130	03 - 16	45° External Riser	03 - 19
THGTFPW900	03 - 15	THG4RPW200	03 - 16	45° Internal Riser	03 - 19
<b>TRAY HOR. SPLICE PLATE</b>		THG4RPW300	03 - 16	Y-Junction	03 - 19
THGHSPH025	03 - 16	<b>H100</b>		Standard Tee	03 - 19
THGHSPH050	03 - 16	THG5RPW050	03 - 16	45° Bemd	03 - 19
THGHSPH075	03 - 16	THG5RPW100	03 - 16	90° Bemd	03 - 19
THGHSPH100	03 - 16	THG5RPW130	03 - 16		
<b>TRAY 90D SPLICE PLATE</b>		THG5RPW200	03 - 16		
THG90SH025	03 - 16	THG5RPW300	03 - 16		
THG90SH050	03 - 16	<b>TRAY SEPARATOR</b>			
THG90SH075	03 - 16	THGSEPH025	03 - 17		
THG90SH100	03 - 16	THGSEPH050	03 - 17		



## ACS ORIGINALSTRUT®; CABLE TRAYS

### GENERAL INFORMATION

#### ACS ORIGINALSTRUT®; Cable Trays - Selection Guide

For over 40 years, ACS ORIGINALSTRUT® Cable support systems have been installed in almost every facet of industry from simple installations supporting cables around a factory wall to major projects such as power stations, oil refineries, aluminium smelters, coal loaders, petro-chemical refineries, grain terminals, major commercial buildings and off-shore oil and gas platforms

We also manufacture a complete range of support systems including adjustable cantilever brackets, beam clamps, trapeze hangers, and a variety of cable fixing clamps and straps. This extensive range of products has enabled us to be established as the accepted market leader in cable support systems

Our range of Cable Tray products feature a unique perforation pattern to meet the wide variety of customer needs. This pattern is made up of two different sized horizontal and vertical slots which allow a greater number of fixing positions and options of different width cable ties and cleats. Cable Tray is available to meet light, medium and heavy duty load applications in a range of widths from 50mm-900mm. Special widths such as 1,000 - 1,200mm available on request

We manufacture the following range of Cable Trays in a variety of materials detailed in individual catalogue pages

Light Duty - With 20mm , 25mm or 50mm high square side

Medium Duty - With 25mm , 50mm , 75mm or 100mm high + return flange

Heavy Duty - With 25mm , 50mm or 100mm high + return flange

The selection of a Cable Tray System for a particular application depends on FOUR main factors

- 1 Environmental conditions, the working environment a Cable Tray System determines the choice of material used in manufacture. ACS ORIGINALSTRUT®; has the capability of manufacturing Cable Trays in many different materials to suit varying environments as follows

Hot Dipped Galvanised to AS/NZS 4680 / BSEN ISO 1461:1999

Aluminium

Stainless Steel Grade 304 / 316

Painted or FRP

- 2 Physical size and quantity of cables, smaller diameter cables do not require the same strength of support but they do not have any rigidity to support themselves and therefore require a more continuous support platform. A large quantity of smaller diameter cables would probably require a high sided cable tray in order to contain the sideways movement of the cables during laying
- 3 Cable weight, the total maximum weight of the cables to be supported determines the choice of Tray Profile and Height in conjunction with the designated Support Span
- 4 Support Span, the distance over which the Cable Tray has to support the nominated total weight of cables determines the choice of Tray Profile and Height

#### **OTHER CABLE TRAYS (Made to Order)**

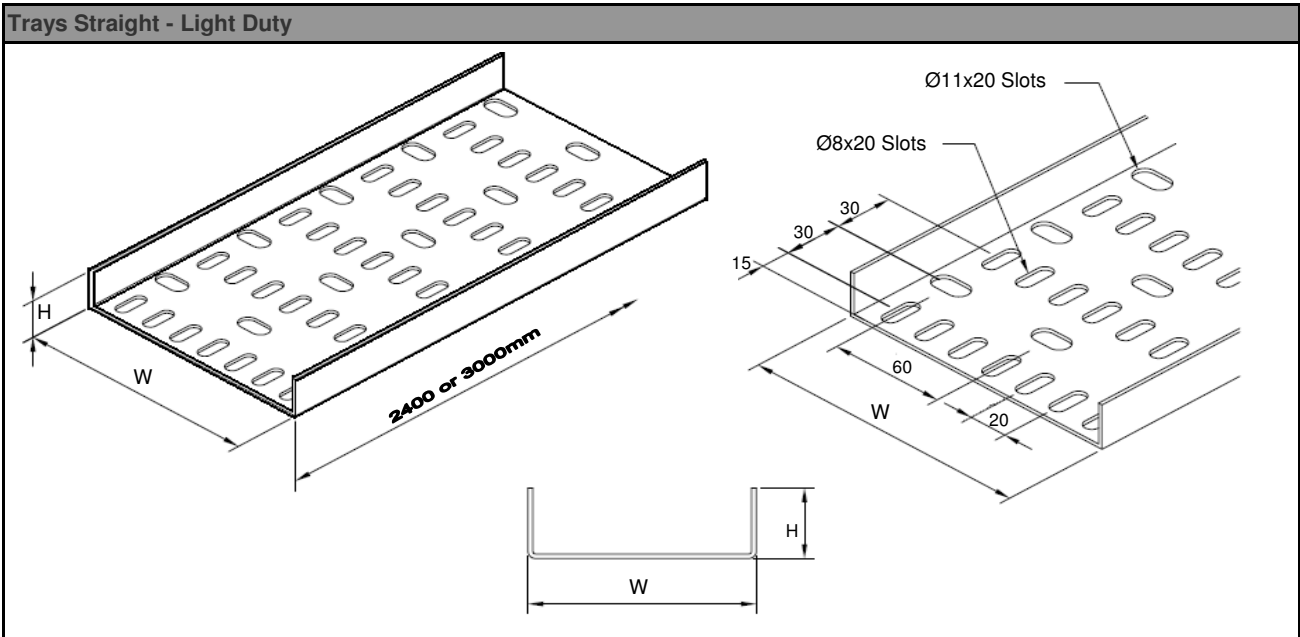
ACS ORIGINALSTRUT®; has the capability to manufacture other Cable Tray profiles and perforation configurations to suit a variety of applications and uses

Cable Tray can be manufactured up to a Maximum width of 900mm in standard profile as one piece unit, wider Cable Trays could be manufactured in multiple units but a more practical approach would be to install two or more standard width cable trays alongside each other to make up the desired width

Cable Tray can be manufactured up to a maximum length of 3 metres in increments of 50mm or even down to lengths of less than a metre (again in increments of 50mm)

Cable Tray can be manufactured with a variety of side heights (not necessarily two equal side heights and in increments of 25 mm) providing that the sum of the side heights and the width does not exceed 900mm and that the width equals or exceeds the side height

**ACS ORIGINALSTRUT®; CABLE TRAYS - LIGHT DU**



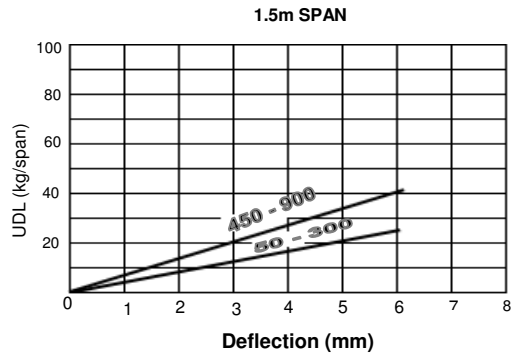
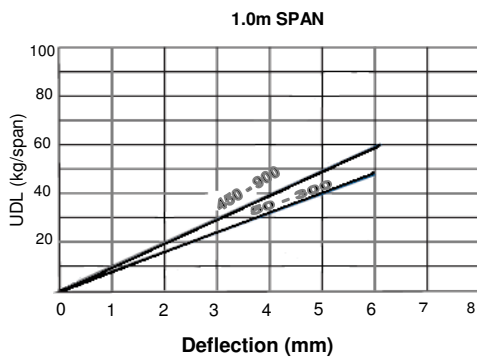
Trays Straight - Light Duty			
Width mm (W)	Part No "H" 20 mm	Part No "H" 25 mm	Part No "H" 50 mm
50	THGSTLD1W050	THGSTLD2W050	THGSTLD3W050
100	THGSTLD1W100	THGSTLD2W100	THGSTLD3W100
150	THGSTLD1W150	THGSTLD2W150	THGSTLD3W150
200	THGSTLD1W200	THGSTLD2W200	THGSTLD3W200
300	THGSTLD1W300	THGSTLD2W300	THGSTLD3W300
450	THGSTLD1W450	THGSTLD2W450	THGSTLD3W450
600	THGSTLD1W600	THGSTLD2W600	THGSTLD3W600
750	THGSTLD1W750	THGSTLD2W750	THGSTLD3W750
900	THGSTLD1W900	THGSTLD2W900	THGSTLD3W900

**Thick** 1.0mm, 1.6mm and 2.0mm, other thickness, widths or shape available on request

Couplers and fixing bolts for cable tray systems must be ordered separately

**Finish** Hot Dipped Galvanised, Aluminium, Stainless Steel Grade 304 / 316 or Painted

**Loading Data**



The graphs shown have been prepared using data obtained from tests carried out by independent test houses and at UK factory

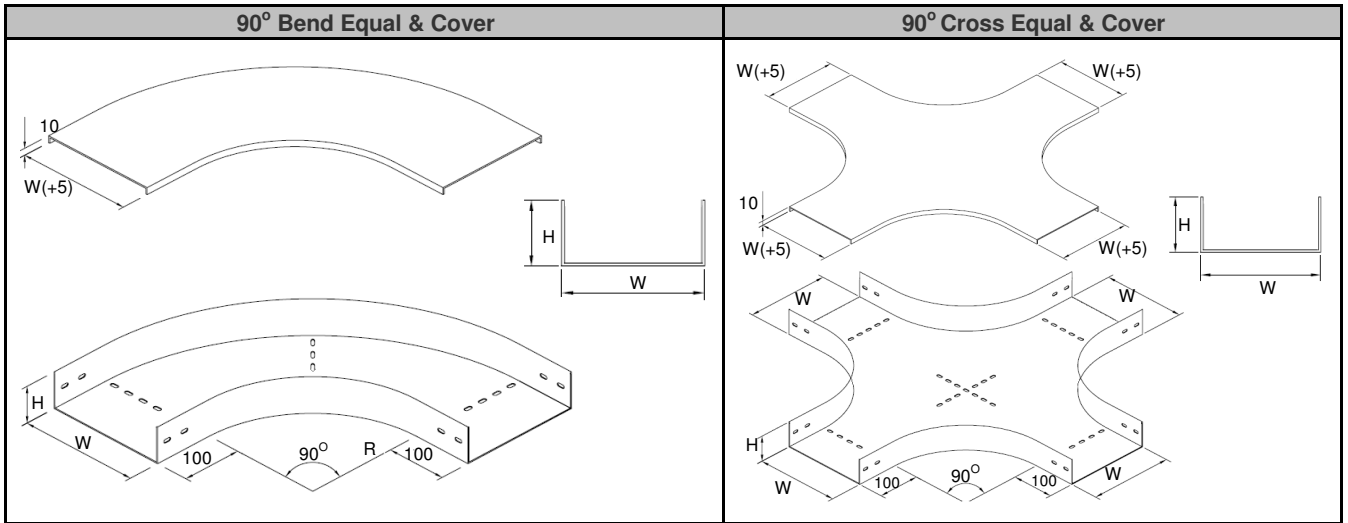
The load figures shown have been calculated to give a minimum safety factor of 2 and to maintain an aesthetic appearance to the finished installation.

The loadings relate to continuous span situations and should therefore be reduced by 1.8 for end spans

Due to material and manufacturing tolerances, test results can vary from tray to tray and therefore the data shown is typical and given for guidance only ACS ORIGINALSTRUT®; offer no guarantee that installed trays will match the test results exactly and accept no liability for supplied tray not matching these figures

**ACS ORIGINALSTRUT®; CABLE TRAYS LIGHT DUTY - ACCESSORIES**

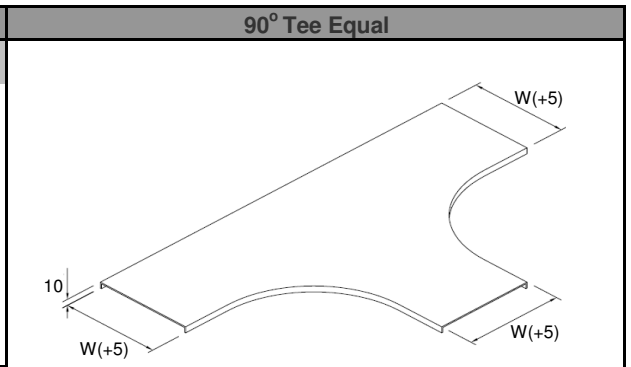
**Bends, Tees , Crosses & Cover**



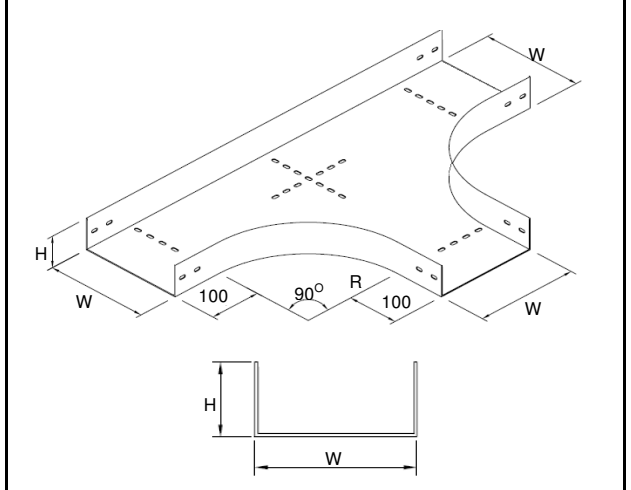
90° Bend Equal				
Width mm (W)	Part No "H" 25 mm	Part No "H" 50 mm	Part No "H" 75 mm	Part No "H" 100 mm
50	THGBELD2W050	THGBELD3W050	THGBELD4W050	THGBELD5W050
100	THGBELD2W100	THGBELD3W100	THGBELD4W100	THGBELD5W100
150	THGBELD2W150	THGBELD3W150	THGBELD4W150	THGBELD5W150
200	THGBELD2W200	THGBELD3W200	THGBELD4W200	THGBELD5W200
300	THGBELD2W300	THGBELD3W300	THGBELD4W300	THGBELD5W300
450	THGBELD2W450	THGBELD3W450	THGBELD4W450	THGBELD5W450
600	THGBELD2W600	THGBELD3W600	THGBELD4W600	THGBELD5W600
750	THGBELD2W750	THGBELD3W750	THGBELD4W750	THGBELD5W750
900	THGBELD2W900	THGBELD3W900	THGBELD4W900	THGBELD5W900

90° Cross Equal			
Part No "H" 25 mm	Part No "H" 50 mm	Part No "H" 75 mm.	Part No "H" 100 mm
THGCELD2W050	THGCELD3W050	THGCELD4W050	THGCELD5W050
THGCELD2W100	THGCELD3W100	THGCELD4W100	THGCELD5W100
THGCELD2W150	THGCELD3W150	THGCELD4W150	THGCELD5W150
THGCELD2W200	THGCELD3W200	THGCELD4W200	THGCELD5W200
THGCELD2W300	THGCELD3W300	THGCELD4W300	THGCELD5W300
THGCELD2W450	THGCELD3W450	THGCELD4W450	THGCELD5W450
THGCELD2W600	THGCELD3W600	THGCELD4W600	THGCELD5W600
THGCELD2W750	THGCELD3W750	THGCELD4W750	THGCELD5W750
THGCELD2W900	THGCELD3W900	THGCELD4W900	THGCELD5W900

90° Tee Equal				
Width mm (W)	Part No "H" 25 mm	Part No "H" 50 mm	Part No "H" 75 mm	Part No "H" 100 mm
50	THGTELD2W050	THGTELD3W050	THGTELD4W050	THGTELD5W050
100	THGTELD2W100	THGTELD3W100	THGTELD4W100	THGTELD5W100
150	THGTELD2W150	THGTELD3W150	THGTELD4W150	THGTELD5W150
200	THGTELD2W200	THGTELD3W200	THGTELD4W200	THGTELD5W200
300	THGTELD2W300	THGTELD3W300	THGTELD4W300	THGTELD5W300
450	THGTELD2W450	THGTELD3W450	THGTELD4W450	THGTELD5W450
600	THGTELD2W600	THGTELD3W600	THGTELD4W600	THGTELD5W600
750	THGTELD2W750	THGTELD3W750	THGTELD4W750	THGTELD5W750
900	THGTELD2W900	THGTELD3W900	THGTELD4W900	THGTELD5W900



Cover			
Width mm (W)	Part No BEND	Part No CROSS	Part No TEE
50	CTHGBEW050	CTHGCEW050	CTHGTEW050
100	CTHGBEW100	CTHGCEW100	CTHGTEW100
150	CTHGBEW150	CTHGCEW150	CTHGTEW150
200	CTHGBEW200	CTHGCEW200	CTHGTEW200
300	CTHGBEW300	CTHGCEW300	CTHGTEW300
450	CTHGBEW450	CTHGCEW450	CTHGTEW450
600	CTHGBEW600	CTHGCEW600	CTHGTEW600
750	CTHGBEW750	CTHGCEW750	CTHGTEW750
900	CTHGBEW900	CTHGCEW900	CTHGTEW900

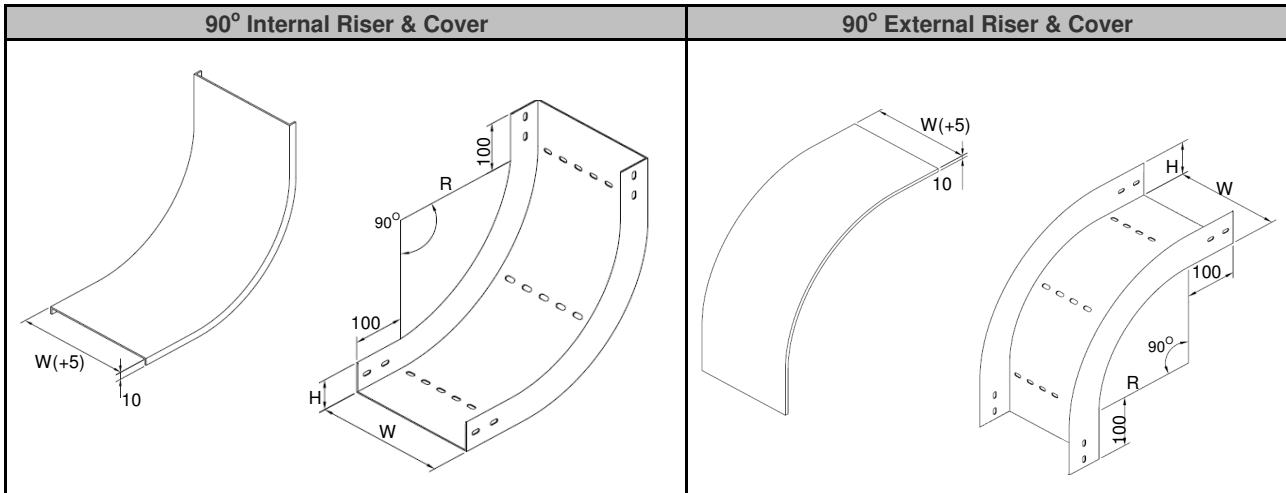


Thick 1.0mm, 1.6mm and 2.0mm, other thickness, widths or shape available on request

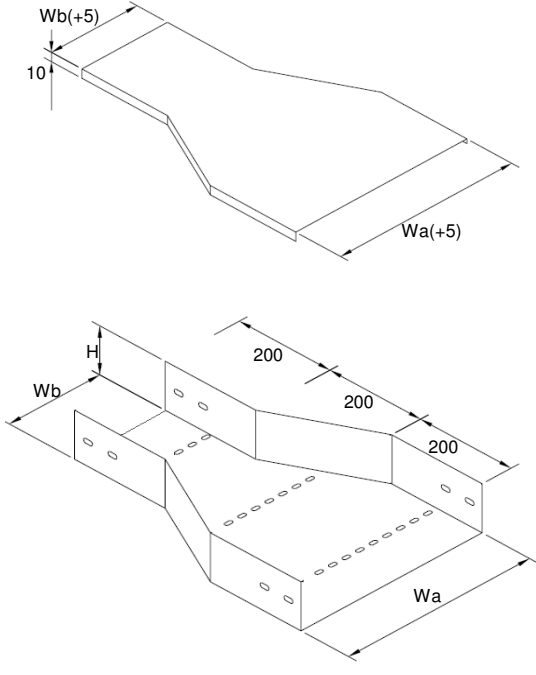
Couplers and fixing bolts for cable tray systems must be ordered separately  
 Finish Hot Dipped Galvanised, Aluminium, Stainless Steel Grade 304 / 316 or Painted

**ACS ORIGINALSTRUT®; CABLE TRAYS LIGHT DUTY ACCESSORIES**

**Risers, Reducers & Cover**



90° Internal Riser					90° External Riser			
Width mm (W)	Part No "H" 25 mm	Part No "H" 50 mm	Part No "H" 75 mm	Part No "H" 100 mm	Part No "H" 25 mm	Part No "H" 50 mm	Part No "H" 75 mm	Part No "H" 100 mm
50	THGIRLD2W050	THGIRLD3W050	THGIRLD4W050	THGIRLD5W050	THGERLD2W050	THGERLD3W050	THGERLD4W050	THGERLD5W050
100	THGIRLD2W100	THGIRLD3W100	THGIRLD4W100	THGIRLD5W100	THGERLD2W100	THGERLD3W100	THGERLD4W100	THGERLD5W100
150	THGIRLD2W150	THGIRLD3W150	THGIRLD4W150	THGIRLD5W150	THGERLD2W150	THGERLD3W150	THGERLD4W150	THGERLD5W150
200	THGIRLD2W200	THGIRLD3W200	THGIRLD4W200	THGIRLD5W200	THGERLD2W200	THGERLD3W200	THGERLD4W200	THGERLD5W200
300	THGIRLD2W300	THGIRLD3W300	THGIRLD4W300	THGIRLD5W300	THGERLD2W300	THGERLD3W300	THGERLD4W300	THGERLD5W300
450	THGIRLD2W450	THGIRLD3W450	THGIRLD4W450	THGIRLD5W450	THGERLD2W450	THGERLD3W450	THGERLD4W450	THGERLD5W450
600	THGIRLD2W600	THGIRLD3W600	THGIRLD4W600	THGIRLD5W600	THGERLD2W600	THGERLD3W600	THGERLD4W600	THGERLD5W600
750	THGIRLD2W750	THGIRLD3W750	THGIRLD4W750	THGIRLD5W750	THGERLD2W750	THGERLD3W750	THGERLD4W750	THGERLD5W750
900	THGIRLD2W900	THGIRLD3W900	THGIRLD4W900	THGIRLD5W900	THGERLD2W900	THGERLD3W900	THGERLD4W900	THGERLD5W900

Straight Reducer					Straight Reducer & Cover
Width mm (Wb)	Part No "H" 25 mm	Part No "H" 50 mm	Part No "H" 75 mm	Part No "H" 100 mm	
50	THGSRLD2W050	THGSRLD3W050	THGSRLD4W050	THGSRLD5W050	
100	THGSRLD2W100	THGSRLD3W100	THGSRLD4W100	THGSRLD5W100	
150	THGSRLD2W150	THGSRLD3W150	THGSRLD4W150	THGSRLD5W150	
200	THGSRLD2W200	THGSRLD3W200	THGSRLD4W200	THGSRLD5W200	
300	THGSRLD2W300	THGSRLD3W300	THGSRLD4W300	THGSRLD5W300	
450	THGSRLD2W450	THGSRLD3W450	THGSRLD4W450	THGSRLD5W450	
600	THGSRLD2W600	THGSRLD3W600	THGSRLD4W600	THGSRLD5W600	
750	THGSRLD2W750	THGSRLD3W750	THGSRLD4W750	THGSRLD5W750	
900	THGSRLD2W900	THGSRLD3W900	THGSRLD4W900	THGSRLD5W900	

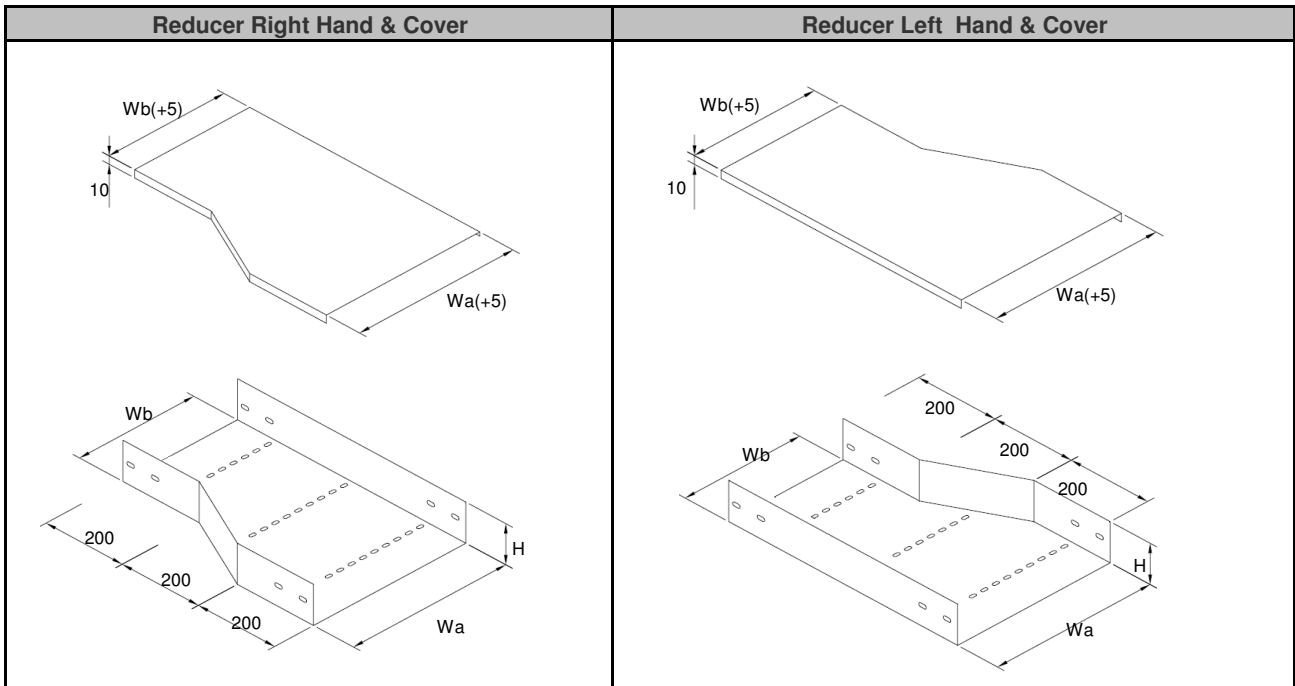
Cover			
Width mm (Wb)	Part No INT RISER COVER	Part No EXT RISER COVER	Part No STR REDUCER COVER
50	CTHGIRW050	CTHGERW050	CTHGSRW050
100	CTHGIRW100	CTHGERW100	CTHGSRW100
150	CTHGIRW150	CTHGERW150	CTHGSRW150
200	CTHGIRW200	CTHGERW200	CTHGSRW200
300	CTHGIRW300	CTHGERW300	CTHGSRW300
450	CTHGIRW450	CTHGERW450	CTHGSRW450
600	CTHGIRW600	CTHGERW600	CTHGSRW600
750	CTHGIRW750	CTHGERW750	CTHGSRW750
900	CTHGIRW900	CTHGERW900	CTHGSRW900

Thick 1.0mm, 1.6mm and 2.0mm, other thickness, widths or shape available on request

Couplers and fixing bolts for cable tray systems must be ordered separately

Finish Hot Dipped Galvanised, Aluminium, Stainless Steel Grade 304 / 316 or Painted



**ACS ORIGINALSTRUT®; CABLE TRAYS LIGHT DUTY - ACCESSORIES**
**Tray Reducers & Cover**

**Tray Reducer Right Hand**

Width mm ( Wb )	Part No "H" 25 mm	Part No "H" 50 mm	Part No "H" 75 mm	Part No "H" 100 mm
50	THGRRLD2W050	THGRRLD3W050	THGRRLD4W050	THGRRLD5W050
100	THGRRLD2W100	THGRRLD3W100	THGRRLD4W100	THGRRLD5W100
150	THGRRLD2W150	THGRRLD3W150	THGRRLD4W150	THGRRLD5W150
200	THGRRLD2W200	THGRRLD3W200	THGRRLD4W200	THGRRLD5W200
300	THGRRLD2W300	THGRRLD3W300	THGRRLD4W300	THGRRLD5W300
450	THGRRLD2W450	THGRRLD3W450	THGRRLD4W450	THGRRLD5W450
600	THGRRLD2W600	THGRRLD3W600	THGRRLD4W600	THGRRLD5W600
750	THGRRLD2W750	THGRRLD3W750	THGRRLD4W750	THGRRLD5W750

**Cover**

Width mm ( W )	Part No REDUCER RH	Part No REDUCER LH
50	CTHGRRW050	CTHGRLW050
100	CTHGRRW100	CTHGRLW100
150	CTHGRRW150	CTHGRLW150
200	CTHGRRW200	CTHGRLW200
300	CTHGRRW300	CTHGRLW300
450	CTHGRRW450	CTHGRLW450
600	CTHGRRW600	CTHGRLW600
750	CTHGRRW750	CTHGRLW750

**Tray Reducer Left Hand**

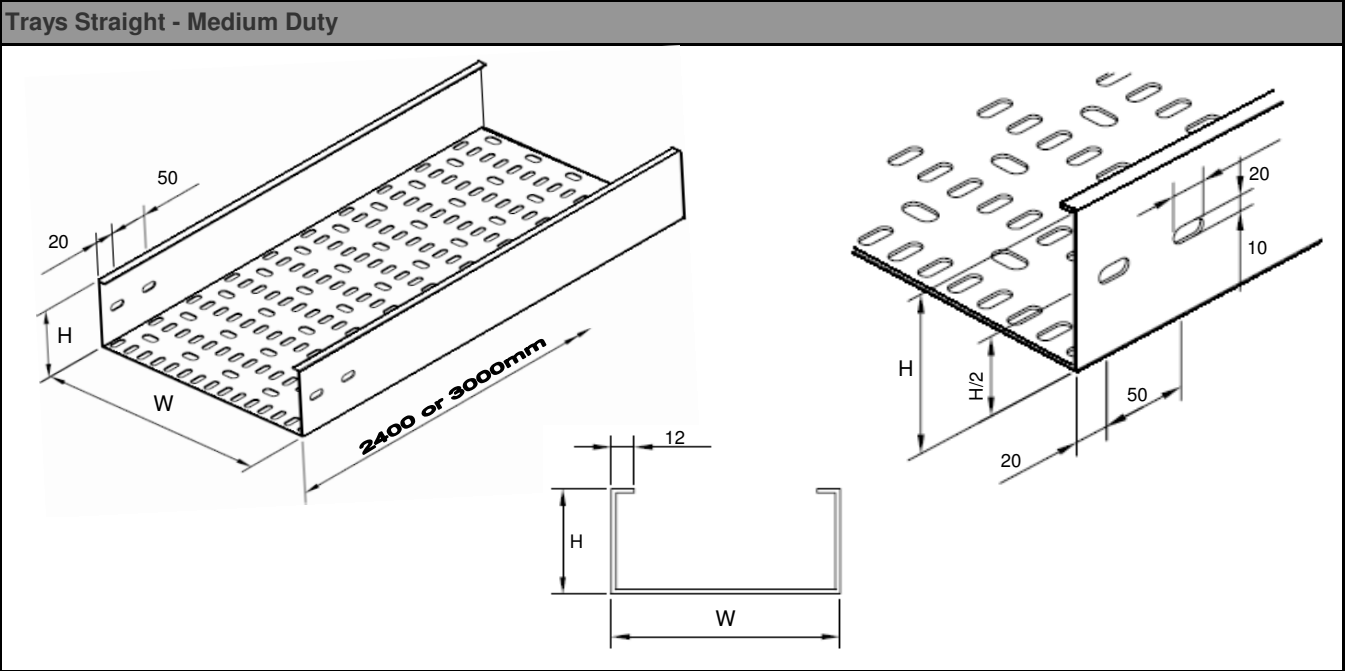
Width mm ( Wb )	Part No "H" 25 mm	Part No "H" 50 mm	Part No "H" 75 mm	Part No "H" 100 mm
50	THGLRLD2W050	THGLRLD3W050	THGLRLD4W050	THGLRLD5W050
100	THGLRLD2W100	THGLRLD3W100	THGLRLD4W100	THGLRLD5W100
150	THGLRLD2W150	THGLRLD3W150	THGLRLD4W150	THGLRLD5W150
200	THGLRLD2W200	THGLRLD3W200	THGLRLD4W200	THGLRLD5W200
300	THGLRLD2W300	THGLRLD3W300	THGLRLD4W300	THGLRLD5W300
450	THGLRLD2W450	THGLRLD3W450	THGLRLD4W450	THGLRLD5W450
600	THGLRLD2W600	THGLRLD3W600	THGLRLD4W600	THGLRLD5W600
750	THGLRLD2W750	THGLRLD3W750	THGLRLD4W750	THGLRLD5W750

**Thick** 1.0mm, 1.6mm and 2.0mm, other thickness, widths or shape available on request

Couplers and fixing bolts for cable tray systems must be ordered separately

**Finish** Hot Dipped Galvanised, Aluminium, Stainless Steel Grade 304 / 316  
or Painted

**ACS ORIGINALSTRUT®; CABLE TRAYS - MEDIUM DUTY**



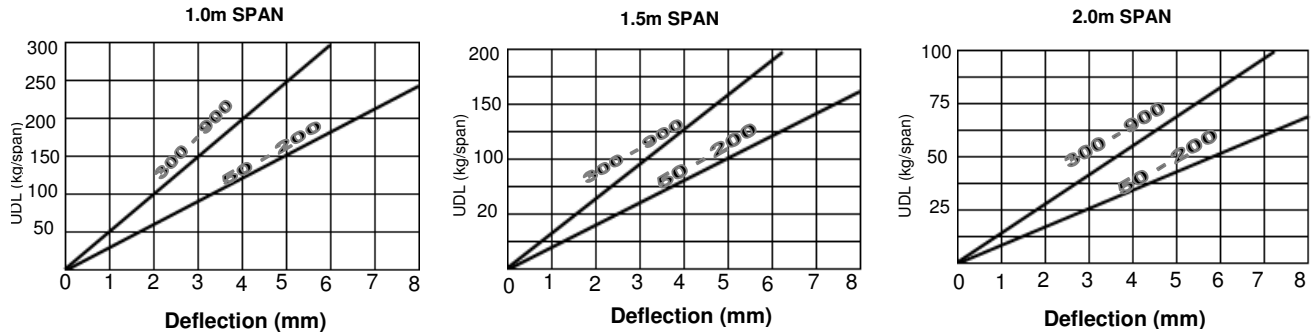
Trays Straight - Medium Duty				
Width mm (W)	Part No "H" 25 mm	Part No "H" 50 mm	Part No "H" 75 mm	Part No "H" 100 mm
50	THGSTMD2W050	THGSTMD3W050	THGSTMD4W050	THGSTMD5W050
100	THGSTMD2W100	THGSTMD3W100	THGSTMD4W100	THGSTMD5W100
150	THGSTMD2W150	THGSTMD3W150	THGSTMD4W150	THGSTMD5W150
200	THGSTMD2W200	THGSTMD3W200	THGSTMD4W200	THGSTMD5W200
300	THGSTMD2W300	THGSTMD3W300	THGSTMD4W300	THGSTMD5W300
450	THGSTMD2W450	THGSTMD3W450	THGSTMD4W450	THGSTMD5W450
600	THGSTMD2W600	THGSTMD3W600	THGSTMD4W600	THGSTMD5W600
750	THGSTMD2W750	THGSTMD3W750	THGSTMD4W750	THGSTMD5W750
900	THGSTMD2W900	THGSTMD3W900	THGSTMD4W900	THGSTMD5W900

Thick 1.0mm, 1.6mm and 2.0mm, other thickness, widths or shape available on request

Couplers and fixing bolts for cable tray systems must be ordered separately

Finish Hot Dipped Galvanised, Aluminium, Stainless Steel Grade 304 / 316 or Painted

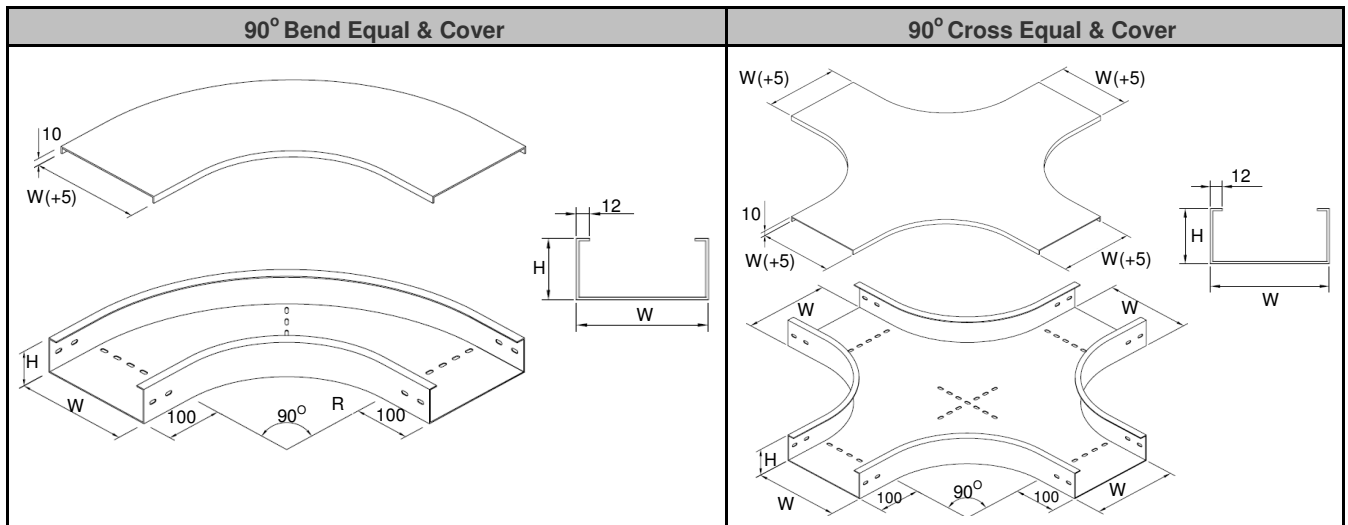
**Loading Data (For Height 25mm and 50mm)**



The graphs shown have been prepared using data obtained from tests carried out by independent test houses and at UK factory  
 The load figures shown have been calculated to give a minimum safety factor of 2 and to maintain an aesthetic appearance to the finished installation  
 The loadings relate to continuous span situations and should therefore be reduced by 1.8 for end spans  
 Due to material and manufacturing tolerances, test results can vary from tray to tray and therefore the data shown is typical and given for guidance only  
 ACS ORIGINALSTRUT®; offer no guarantee that installed tray will match the test results exactly and accept no liability for supplied tray not matching these figures

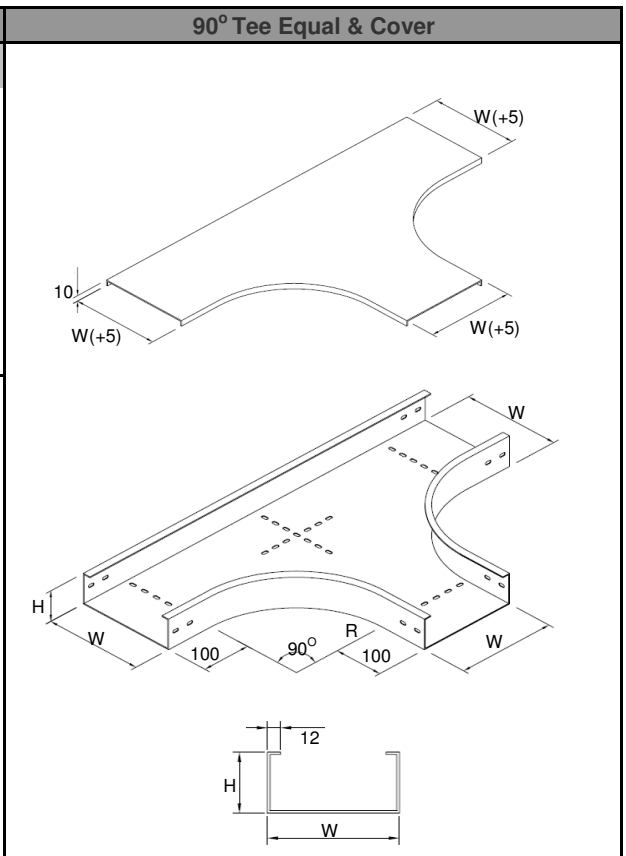
**ACS ORIGINALSTRUT®; CABLE TRAYS MEDIUM DUTY - ACCESSORIES**

**Bends, Tees , Crosses & Cover**



90° Bend Equal					90° Cross Equal			
Width mm ( W )	Part No "H" 25 mm	Part No "H" 50 mm	Part No "H" 75 mm	Part No "H" 100 mm	Part No "H" 25 mm	Part No "H" 50 mm	Part No. "H" 75 mm.	Part No "H" 100 mm
50	THGBEMD2W050	THGBEMD3W050	THGBEMD4W050	THGBEMD5W050	THGCEMD2W050	THGCEMD3W050	THGCEMD4W050	THGCEMD5W050
100	THGBEMD2W100	THGBEMD3W100	THGBEMD4W100	THGBEMD5W100	THGCEMD2W100	THGCEMD3W100	THGCEMD4W100	THGCEMD5W100
150	THGBEMD2W150	THGBEMD3W150	THGBEMD4W150	THGBEMD5W150	THGCEMD2W150	THGCEMD3W150	THGCEMD4W150	THGCEMD5W150
200	THGBEMD2W200	THGBEMD3W200	THGBEMD4W200	THGBEMD5W200	THGCEMD2W200	THGCEMD3W200	THGCEMD4W200	THGCEMD5W200
300	THGBEMD2W300	THGBEMD3W300	THGBEMD4W300	THGBEMD5W300	THGCEMD2W300	THGCEMD3W300	THGCEMD4W300	THGCEMD5W300
450	THGBEMD2W450	THGBEMD3W450	THGBEMD4W450	THGBEMD5W450	THGCEMD2W450	THGCEMD3W450	THGCEMD4W450	THGCEMD5W450
600	THGBEMD2W600	THGBEMD3W600	THGBEMD4W600	THGBEMD5W600	THGCEMD2W600	THGCEMD3W600	THGCEMD4W600	THGCEMD5W600
750	THGBEMD2W750	THGBEMD3W750	THGBEMD4W750	THGBEMD5W750	THGCEMD2W750	THGCEMD3W750	THGCEMD4W750	THGCEMD5W750
900	THGBEMD2W900	THGBEMD3W900	THGBEMD4W900	THGBEMD5W900	THGCEMD2W900	THGCEMD3W900	THGCEMD4W900	THGCEMD5W900

90° Tee Equal				
Width mm ( W )	Part No "H" 25 mm	Part No "H" 50 mm	Part No "H" 75 mm	Part No "H" 100 mm
50	THGTEMD2W050	THGTEMD3W050	THGTEMD4W050	THGTEMD5W050
100	THGTEMD2W100	THGTEMD3W100	THGTEMD4W100	THGTEMD5W100
150	THGTEMD2W150	THGTEMD3W150	THGTEMD4W150	THGTEMD5W150
200	THGTEMD2W200	THGTEMD3W200	THGTEMD4W200	THGTEMD5W200
300	THGTEMD2W300	THGTEMD3W300	THGTEMD4W300	THGTEMD5W300
450	THGTEMD2W450	THGTEMD3W450	THGTEMD4W450	THGTEMD5W450
600	THGTEMD2W600	THGTEMD3W600	THGTEMD4W600	THGTEMD5W600
750	THGTEMD2W750	THGTEMD3W750	THGTEMD4W750	THGTEMD5W750
900	THGTEMD2W900	THGTEMD3W900	THGTEMD4W900	THGTEMD5W900



Cover			
Width mm ( W )	Part No BEND	Part No CROSS	Part No TEE
50	CTHGBEW050	CTHGCEW050	CTHGTEW050
100	CTHGBEW100	CTHGCEW100	CTHGTEW100
150	CTHGBEW150	CTHGCEW150	CTHGTEW150
200	CTHGBEW200	CTHGCEW200	CTHGTEW200
300	CTHGBEW300	CTHGCEW300	CTHGTEW300
450	CTHGBEW450	CTHGCEW450	CTHGTEW450
600	CTHGBEW600	CTHGCEW600	CTHGTEW600
750	CTHGBEW750	CTHGCEW750	CTHGTEW750
900	CTHGBEW900	CTHGCEW900	CTHGTEW900

Thick 1.0mm, 1.6mm and 2.0mm, other thickness, widths or shape available on request

Couplers and fixing bolts for cable tray systems must be ordered separately  
**Finish** Hot Dipped Galvanised, Aluminium, Stainless Steel Grade 304 / 316 or Painted

**ACS ORIGINALSTRUT®; CABLE TRAYS MEDIUM DUTY ACCESSORIES**

**Risers, Reducers & Cover**

90° Internal Riser & Cover					90° External Riser & Cover			
90° Internal Riser					90° External Riser			
Width mm (W)	Part No "H" 25 mm	Part No "H" 50 mm	Part No "H" 75 mm	Part No "H" 100 mm	Part No "H" 25 mm	Part No "H" 50 mm	Part No "H" 75 mm	Part No "H" 100 mm
50	THGIRMD2W050	THGIRMD3W050	THGIRMD4W050	THGIRMD5W050	THGERMD2W050	THGERMD3W050	THGERMD4W050	THGERMD5W050
100	THGIRMD2W100	THGIRMD3W100	THGIRMD4W100	THGIRMD5W100	THGERMD2W100	THGERMD3W100	THGERMD4W100	THGERMD5W100
150	THGIRMD2W150	THGIRMD3W150	THGIRMD4W150	THGIRMD5W150	THGERMD2W150	THGERMD3W150	THGERMD4W150	THGERMD5W150
200	THGIRMD2W200	THGIRMD3W200	THGIRMD4W200	THGIRMD5W200	THGERMD2W200	THGERMD3W200	THGERMD4W200	THGERMD5W200
300	THGIRMD2W300	THGIRMD3W300	THGIRMD4W300	THGIRMD5W300	THGERMD2W300	THGERMD3W300	THGERMD4W300	THGERMD5W300
450	THGIRMD2W450	THGIRMD3W450	THGIRMD4W450	THGIRMD5W450	THGERMD2W450	THGERMD3W450	THGERMD4W450	THGERMD5W450
600	THGIRMD2W600	THGIRMD3W600	THGIRMD4W600	THGIRMD5W600	THGERMD2W600	THGERMD3W600	THGERMD4W600	THGERMD5W600
750	THGIRMD2W750	THGIRMD3W750	THGIRMD4W750	THGIRMD5W750	THGERMD2W750	THGERMD3W750	THGERMD4W750	THGERMD5W750
900	THGIRMD2W900	THGIRMD3W900	THGIRMD4W900	THGIRMD5W900	THGERMD2W900	THGERMD3W900	THGERMD4W900	THGERMD5W900
Straight Reducer					Straight Reducer & Cover			
Width mm (Wb)	Part No "H" 25 mm	Part No "H" 50 mm	Part No "H" 75 mm	Part No "H" 100 mm				
50	THGSRMD2W050	THGSRMD3W050	THGSRMD4W050	THGSRMD5W050				
100	THGSRMD2W100	THGSRMD3W100	THGSRMD4W100	THGSRMD5W100				
150	THGSRMD2W150	THGSRMD3W150	THGSRMD4W150	THGSRMD5W150				
200	THGSRMD2W200	THGSRMD3W200	THGSRMD4W200	THGSRMD5W200				
300	THGSRMD2W300	THGSRMD3W300	THGSRMD4W300	THGSRMD5W300				
450	THGSRMD2W450	THGSRMD3W450	THGSRMD4W450	THGSRMD5W450				
600	THGSRMD2W600	THGSRMD3W600	THGSRMD4W600	THGSRMD5W600				
750	THGSRMD2W750	THGSRMD3W750	THGSRMD4W750	THGSRMD5W750				
900	THGSRMD2W900	THGSRMD3W900	THGSRMD4W900	THGSRMD5W900				
Cover								
Width mm (Wb)	Part No INT RISER COVER	Part No EXT RISER COVER	Part No STR REDUCER COVER					
50	CTHGIRW050	CTHGERW050	CTHGSRW050					
100	CTHGIRW100	CTHGERW100	CTHGSRW100					
150	CTHGIRW150	CTHGERW150	CTHGSRW150					
200	CTHGIRW200	CTHGERW200	CTHGSRW200					
300	CTHGIRW300	CTHGERW300	CTHGSRW300					
450	CTHGIRW450	CTHGERW450	CTHGSRW450					
600	CTHGIRW600	CTHGERW600	CTHGSRW600					
750	CTHGIRW750	CTHGERW750	CTHGSRW750					
900	CTHGIRW900	CTHGERW900	CTHGSRW900					

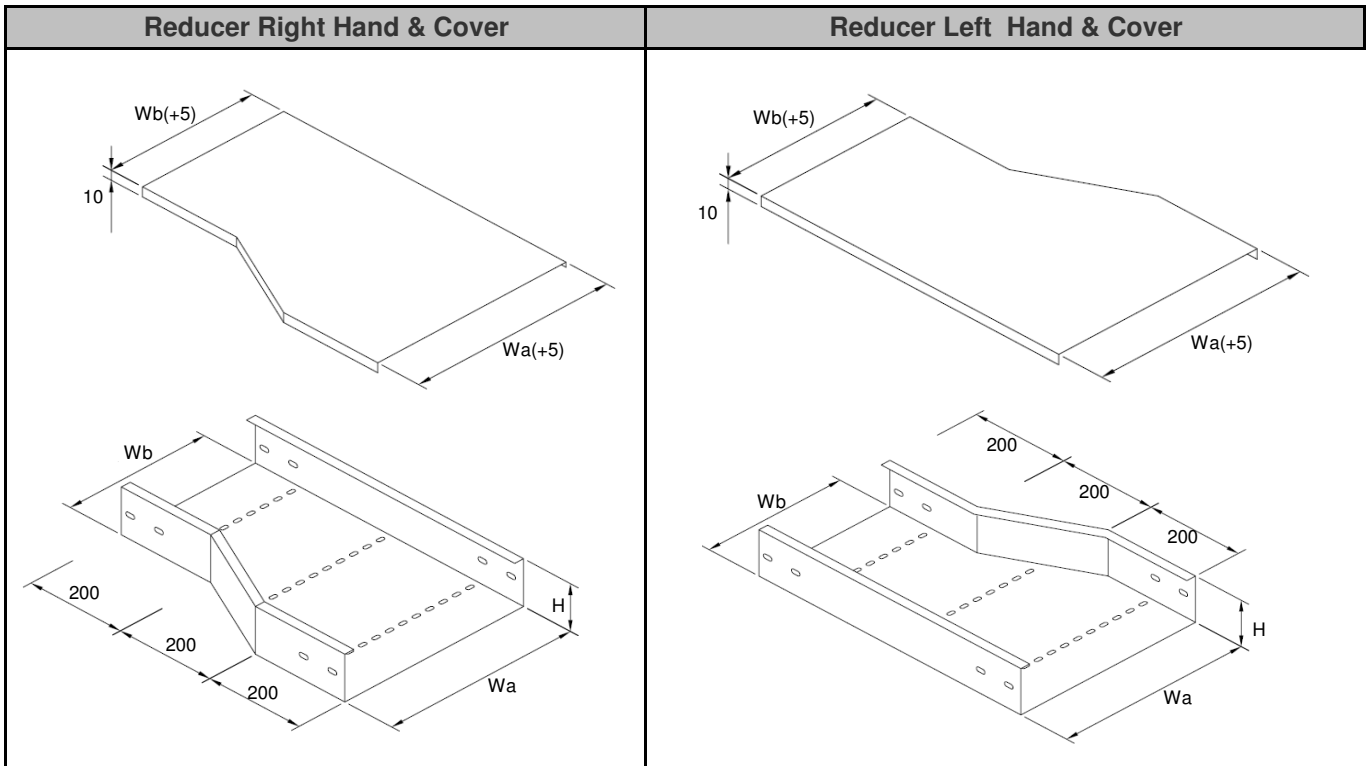
**Thick** 1.0mm, 1.6mm and 2.0mm, other thickness, widths or shape available on request

Couplers and fixing bolts for cable tray systems must be ordered separately

**Finish** Hot Dipped Galvanised, Aluminium, Stainless Steel Grade 304 / 316 or Painted

**ACS ORIGINALSTRUT®; CABLE TRAYS MEDIUM DUTY - ACCESSORIES**

**Reducers & Cover**



Tray Reducer Right Hand				
Width mm (Wb)	Part No "H" 25 mm	Part No "H" 50 mm	Part No "H" 75 mm	Part No "H" 100 mm
50	THGRRMD2W050	THGRRMD3W050	THGRRMD4W050	THGRRMD5W050
100	THGRRMD2W100	THGRRMD3W100	THGRRMD4W100	THGRRMD5W100
150	THGRRMD2W150	THGRRMD3W150	THGRRMD4W150	THGRRMD5W150
200	THGRRMD2W200	THGRRMD3W200	THGRRMD4W200	THGRRMD5W200
300	THGRRMD2W300	THGRRMD3W300	THGRRMD4W300	THGRRMD5W300
450	THGRRMD2W450	THGRRMD3W450	THGRRMD4W450	THGRRMD5W450
600	THGRRMD2W600	THGRRMD3W600	THGRRMD4W600	THGRRMD5W600
750	THGRRMD2W750	THGRRMD3W750	THGRRMD4W750	THGRRMD5W750

Tray Reducer Left Hand				
Width mm (Wb)	Part No "H" 25 mm	Part No "H" 50 mm	Part No "H" 75 mm	Part No "H" 100 mm
50	THGLRMD2W050	THGLRMD3W050	THGLRMD4W050	THGLRMD5W050
100	THGLRMD2W100	THGLRMD3W100	THGLRMD4W100	THGLRMD5W100
150	THGLRMD2W150	THGLRMD3W150	THGLRMD4W150	THGLRMD5W150
200	THGLRMD2W200	THGLRMD3W200	THGLRMD4W200	THGLRMD5W200
300	THGLRMD2W300	THGLRMD3W300	THGLRMD4W300	THGLRMD5W300
450	THGLRMD2W450	THGLRMD3W450	THGLRMD4W450	THGLRMD5W450
600	THGLRMD2W600	THGLRMD3W600	THGLRMD4W600	THGLRMD5W600
750	THGLRMD2W750	THGLRMD3W750	THGLRMD4W750	THGLRMD5W750

Cover		
Width mm (W)	Part No REDUCER RH	Part No REDUCER LH
50	CTHGRRW050	CTHGRLW050
100	CTHGRRW100	CTHGRLW100
150	CTHGRRW150	CTHGRLW150
200	CTHGRRW200	CTHGRLW200
300	CTHGRRW300	CTHGRLW300
450	CTHGRRW450	CTHGRLW450
600	CTHGRRW600	CTHGRLW600
750	CTHGRRW750	CTHGRLW750

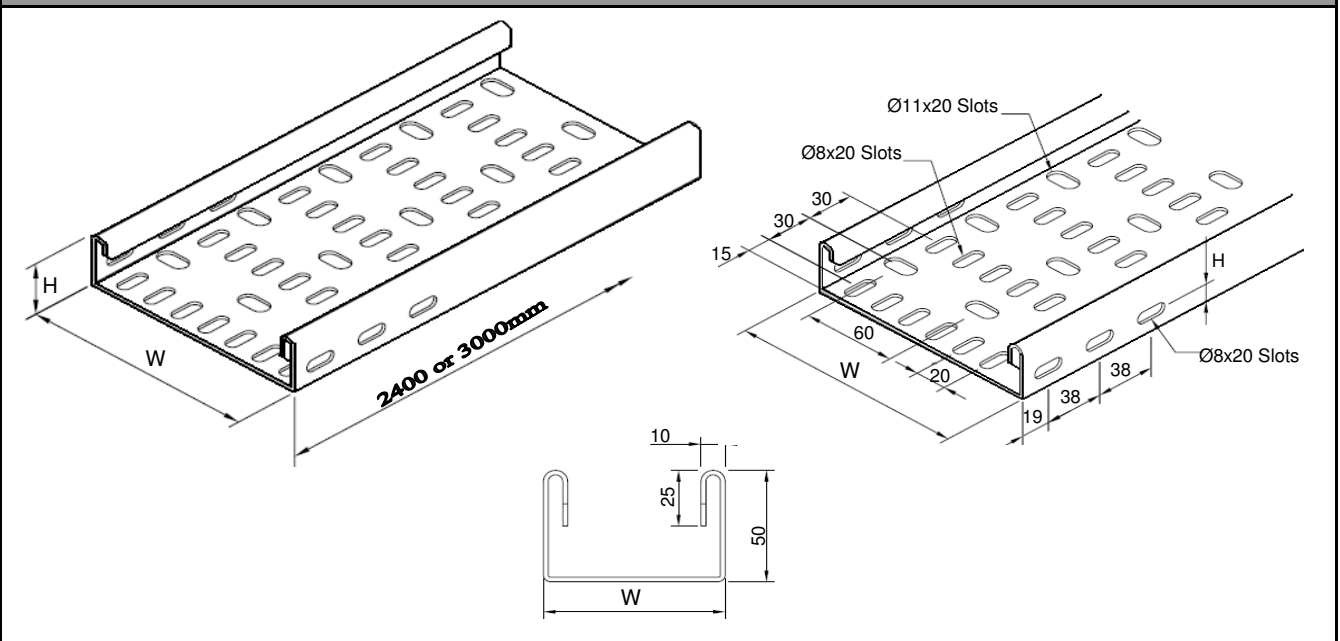
**Thick** 1.0mm, 1.6mm and 2.0mm, other thickness, widths or shape available on request

Couplers and fixing bolts for cable tray systems must be ordered separately

**Finish** Hot Dipped Galvanised, Aluminium, Stainless Steel Grade 304 / 316 or Painted

**ACS ORIGINALSTRUT®; CABLE TRAYS - HEAVY DUTY**

**Trays Straight - Heavy Duty**



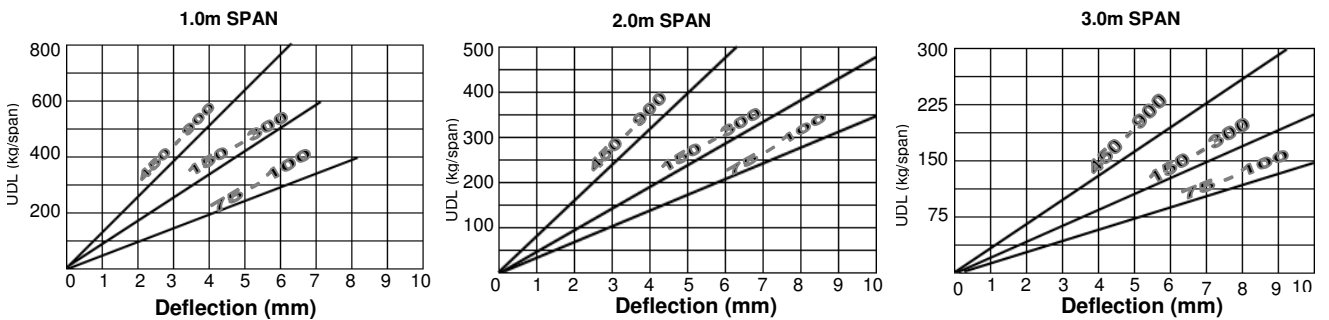
Trays Straight - Heavy Duty			
Width mm (W)	Part No "H" 25 mm	Part No "H" 50 mm	Part No "H" 100 mm
75	THGSTHD2W075	THGSTHD3W075	THGSTHD5W075
100	THGSTHD2W100	THGSTHD3W100	THGSTHD5W100
150	THGSTHD2W150	THGSTHD3W150	THGSTHD5W150
200	THGSTHD2W200	THGSTHD3W200	THGSTHD5W200
300	THGSTHD2W300	THGSTHD3W300	THGSTHD5W300
450	THGSTHD2W450	THGSTHD3W450	THGSTHD5W450
600	THGSTHD2W600	THGSTHD3W600	THGSTHD5W600
750	THGSTHD2W750	THGSTHD3W750	THGSTHD5W750
900	THGSTHD2W900	THGSTHD3W900	THGSTHD5W900

**Thick** 1.0mm, 1.6mm and 2.0mm, other thickness, widths or shape available on request

Couplers and fixing bolts for cable tray systems must be ordered separately

**Finish** Hot Dipped Galvanised, Aluminium, Stainless Steel Grade 304 / 316 or Painted

**Loading Data**



The graphs shown have been prepared using data obtained from tests carried out by independent test houses and at UK factory

The load figures shown have been calculated to give a minimum safety factor of 2 and to maintain an aesthetic appearance to the finished installation

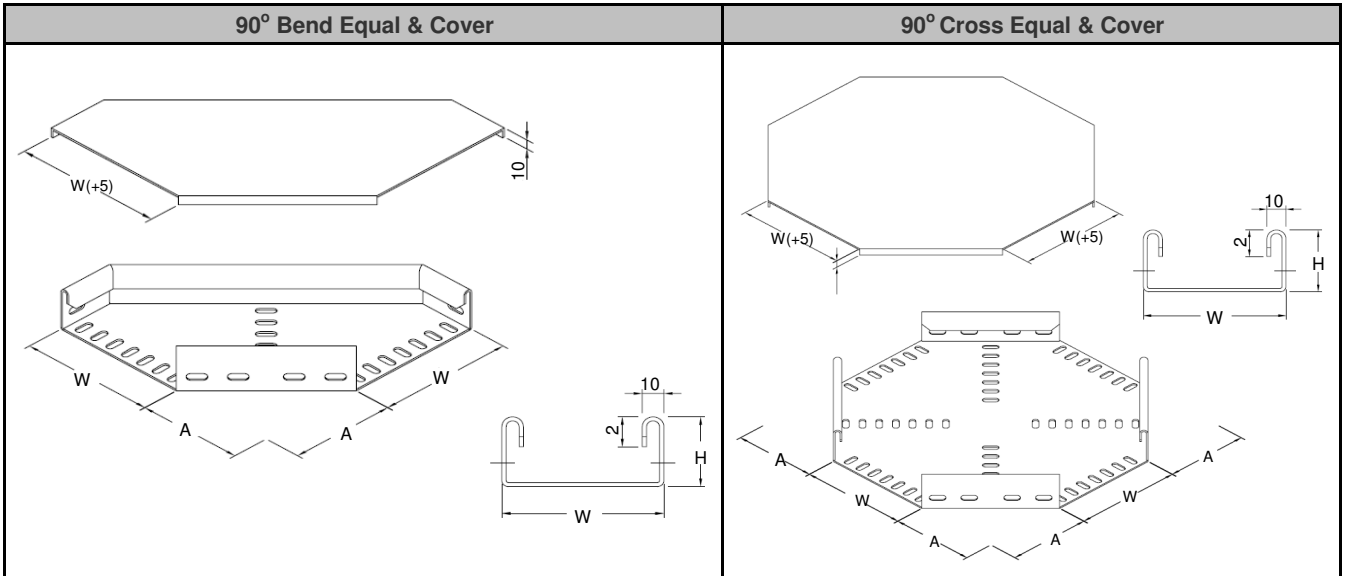
The loadings relate to continuous span situations and should therefore be reduced by 1.8 for end spans

Due to material and manufacturing tolerances test results can vary from tray to tray and therefore the data shown is typical and given for guidance only.

ACS ORIGINALSTRUT®; offer no guarantee that installed tray will match the test results exactly and accept no liability for tray supplied not matching these figures

**ACS ORIGINALSTRUT®; CABLE TRAYS HEAVY DUTY - ACCESSORIES**

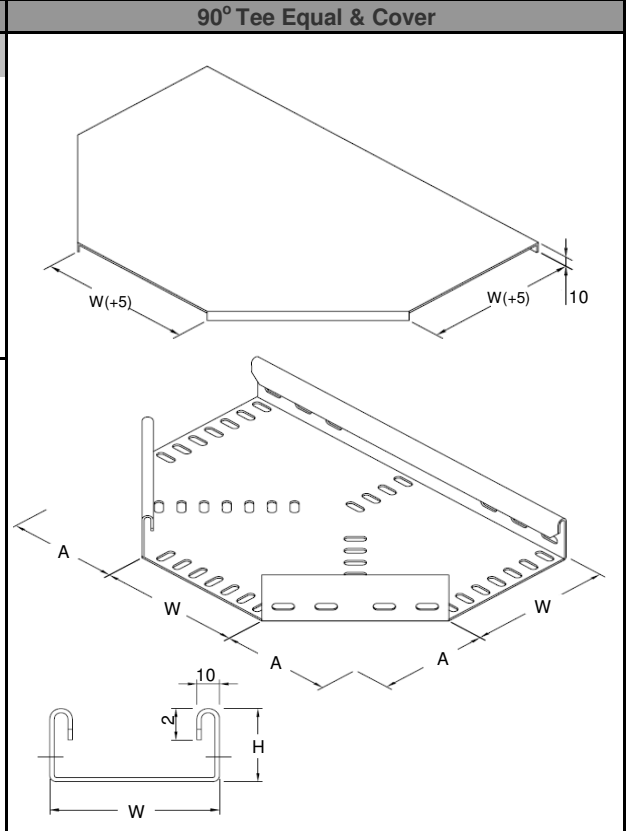
**Bends, Tees , Crosses & Cover**



90° Bend Equal				
Width mm (W)	Part No "H" 25 mm	Part No "H" 50 mm	Part No "H" 75 mm	Part No "H" 100 mm
50	THGBEHD2W050	THGBEHD3W050	THGBEHD4W050	THGBEHD5W050
100	THGBEHD2W100	THGBEHD3W100	THGBEHD4W100	THGBEHD5W100
150	THGBEHD2W150	THGBEHD3W150	THGBEHD4W150	THGBEHD5W150
200	THGBEHD2W200	THGBEHD3W200	THGBEHD4W200	THGBEHD5W200
300	THGBEHD2W300	THGBEHD3W300	THGBEHD4W300	THGBEHD5W300
450	THGBEHD2W450	THGBEHD3W450	THGBEHD4W450	THGBEHD5W450
600	THGBEHD2W600	THGBEHD3W600	THGBEHD4W600	THGBEHD5W600
750	THGBEHD2W750	THGBEHD3W750	THGBEHD4W750	THGBEHD5W750
900	THGBEHD2W900	THGBEHD3W900	THGBEHD4W900	THGBEHD5W900

90° Cross Equal			
Part No "H" 25 mm	Part No "H" 50 mm	Part No "H" 75 mm.	Part No "H" 100 mm
THGCEHD2W050	THGCEHD3W050	THGCEHD4W050	THGCEHD5W050
THGCEHD2W100	THGCEHD3W100	THGCEHD4W100	THGCEHD5W100
THGCEHD2W150	THGCEHD3W150	THGCEHD4W150	THGCEHD5W150
THGCEHD2W200	THGCEHD3W200	THGCEHD4W200	THGCEHD5W200
THGCEHD2W300	THGCEHD3W300	THGCEHD4W300	THGCEHD5W300
THGCEHD2W450	THGCEHD3W450	THGCEHD4W450	THGCEHD5W450
THGCEHD2W600	THGCEHD3W600	THGCEHD4W600	THGCEHD5W600
THGCEHD2W750	THGCEHD3W750	THGCEHD4W750	THGCEHD5W750
THGCEHD2W900	THGCEHD3W900	THGCEHD4W900	THGCEHD5W900

90° Tee Equal				
Width mm (W)	Part No "H" 25 mm	Part No "H" 50 mm	Part No "H" 75 mm	Part No "H" 100 mm
50	THGTEHD2W050	THGTEHD3W050	THGTEHD4W050	THGTEHD5W050
100	THGTEHD2W100	THGTEHD3W100	THGTEHD4W100	THGTEHD5W100
150	THGTEHD2W150	THGTEHD3W150	THGTEHD4W150	THGTEHD5W150
200	THGTEHD2W200	THGTEHD3W200	THGTEHD4W200	THGTEHD5W200
300	THGTEHD2W300	THGTEHD3W300	THGTEHD4W300	THGTEHD5W300
450	THGTEHD2W450	THGTEHD3W450	THGTEHD4W450	THGTEHD5W450
600	THGTEHD2W600	THGTEHD3W600	THGTEHD4W600	THGTEHD5W600
750	THGTEHD2W750	THGTEHD3W750	THGTEHD4W750	THGTEHD5W750
900	THGTEHD2W900	THGTEHD3W900	THGTEHD4W900	THGTEHD5W900



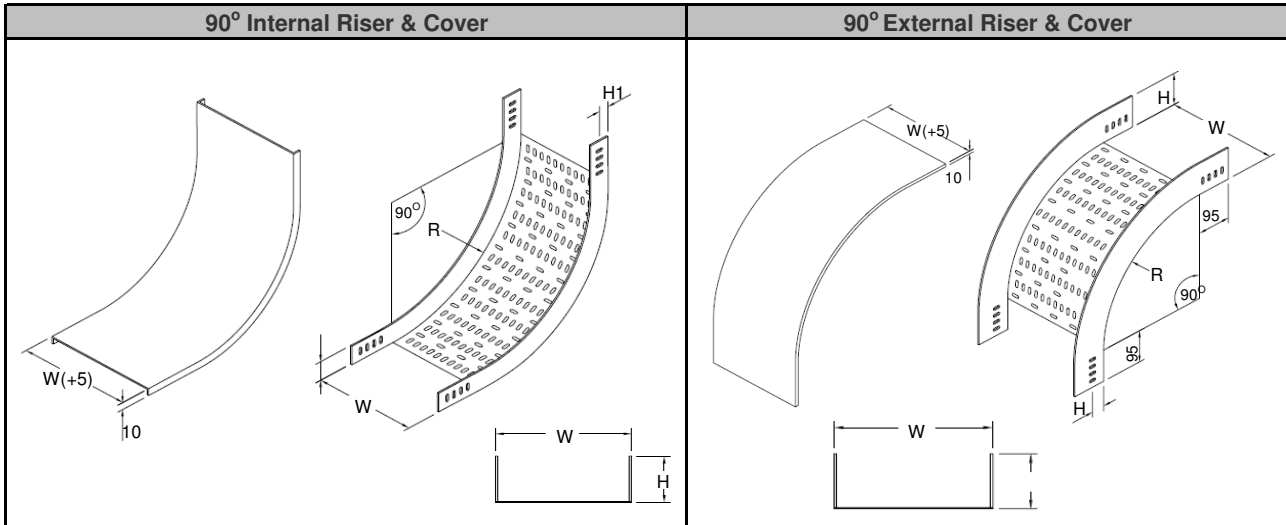
Cover			
Width mm (W)	Part No BEND	Part No CROSS	Part No TEE
50	CTHGBEW050	CTHGCEW050	CTHGTEW050
100	CTHGBEW100	CTHGCEW100	CTHGTEW100
150	CTHGBEW150	CTHGCEW150	CTHGTEW150
200	CTHGBEW200	CTHGCEW200	CTHGTEW200
300	CTHGBEW300	CTHGCEW300	CTHGTEW300
450	CTHGBEW450	CTHGCEW450	CTHGTEW450
600	CTHGBEW600	CTHGCEW600	CTHGTEW600
750	CTHGBEW750	CTHGCEW750	CTHGTEW750
900	CTHGBEW900	CTHGCEW900	CTHGTEW900

**Thick** 1.0mm, 1.6mm and 2.0mm, other thickness, widths or shape available on request

Couplers and fixing bolts for cable tray systems must be ordered separately  
**Finish** Hot Dipped Galvanised, Aluminium, Stainless Steel Grade 304 / 316 or Painted

**ACS ORIGINALSTRUT®; CABLE TRAYS HEAVY DUTY ACCESSORIES**

**Risers, Reducers & Cover**



90° Internal Riser					90° External Riser			
Width mm (W)	Part No "H" 25 mm	Part No "H" 50 mm	Part No "H" 75 mm	Part No "H" 100 mm	Part No "H" 25 mm	Part No "H" 50 mm	Part No "H" 75 mm	Part No "H" 100 mm
50	THGIRHD2W050	THGIRHD3W050	THGIRHD4W050	THGIRHD5W050	THGERHD2W050	THGERHD3W050	THGERHD4W050	THGERHD5W050
100	THGIRHD2W100	THGIRHD3W100	THGIRHD4W100	THGIRHD5W100	THGERHD2W100	THGERHD3W100	THGERHD4W100	THGERHD5W100
150	THGIRHD2W150	THGIRHD3W150	THGIRHD4W150	THGIRHD5W150	THGERHD2W150	THGERHD3W150	THGERHD4W150	THGERHD5W150
200	THGIRHD2W200	THGIRHD3W200	THGIRHD4W200	THGIRHD5W200	THGERHD2W200	THGERHD3W200	THGERHD4W200	THGERHD5W200
300	THGIRHD2W300	THGIRHD3W300	THGIRHD4W300	THGIRHD5W300	THGERHD2W300	THGERHD3W300	THGERHD4W300	THGERHD5W300
450	THGIRHD2W450	THGIRHD3W450	THGIRHD4W450	THGIRHD5W450	THGERHD2W450	THGERHD3W450	THGERHD4W450	THGERHD5W450
600	THGIRHD2W600	THGIRHD3W600	THGIRHD4W600	THGIRHD5W600	THGERHD2W600	THGERHD3W600	THGERHD4W600	THGERHD5W600
750	THGIRHD2W750	THGIRHD3W750	THGIRHD4W750	THGIRHD5W750	THGERHD2W750	THGERHD3W750	THGERHD4W750	THGERHD5W750
900	THGIRHD2W900	THGIRHD3W900	THGIRHD4W900	THGIRHD5W900	THGERHD2W900	THGERHD3W900	THGERHD4W900	THGERHD5W900

Straight Reducer					Straight Reducer & Cover
Width mm (Wb)	Part No "H" 25 mm	Part No "H" 50 mm	Part No "H" 75 mm	Part No "H" 100 mm	
50	THGSRHD2W050	THGSRHD3W050	THGSRHD4W050	THGSRHD5W050	
100	THGSRHD2W100	THGSRHD3W100	THGSRHD4W100	THGSRHD5W100	
150	THGSRHD2W150	THGSRHD3W150	THGSRHD4W150	THGSRHD5W150	
200	THGSRHD2W200	THGSRHD3W200	THGSRHD4W200	THGSRHD5W200	
300	THGSRHD2W300	THGSRHD3W300	THGSRHD4W300	THGSRHD5W300	
450	THGSRHD2W450	THGSRHD3W450	THGSRHD4W450	THGSRHD5W450	
600	THGSRHD2W600	THGSRHD3W600	THGSRHD4W600	THGSRHD5W600	
750	THGSRHD2W750	THGSRHD3W750	THGSRHD4W750	THGSRHD5W750	
900	THGSRHD2W900	THGSRHD3W900	THGSRHD4W900	THGSRHD5W900	

Cover			
Width mm (Wb)	Part No INT RISER COVER	Part No EXT RISER COVER	Part No STR REDUCER COVER
50	CTHGIRW050	CTHGERW050	CTHGSRW050
100	CTHGIRW100	CTHGERW100	CTHGSRW100
150	CTHGIRW150	CTHGERW150	CTHGSRW150
200	CTHGIRW200	CTHGERW200	CTHGSRW200
300	CTHGIRW300	CTHGERW300	CTHGSRW300
450	CTHGIRW450	CTHGERW450	CTHGSRW450
600	CTHGIRW600	CTHGERW600	CTHGSRW600
750	CTHGIRW750	CTHGERW750	CTHGSRW750
900	CTHGIRW900	CTHGERW900	CTHGSRW900

Thick 1.0mm, 1.6mm and 2.0mm, other thickness, widths or shape available on request

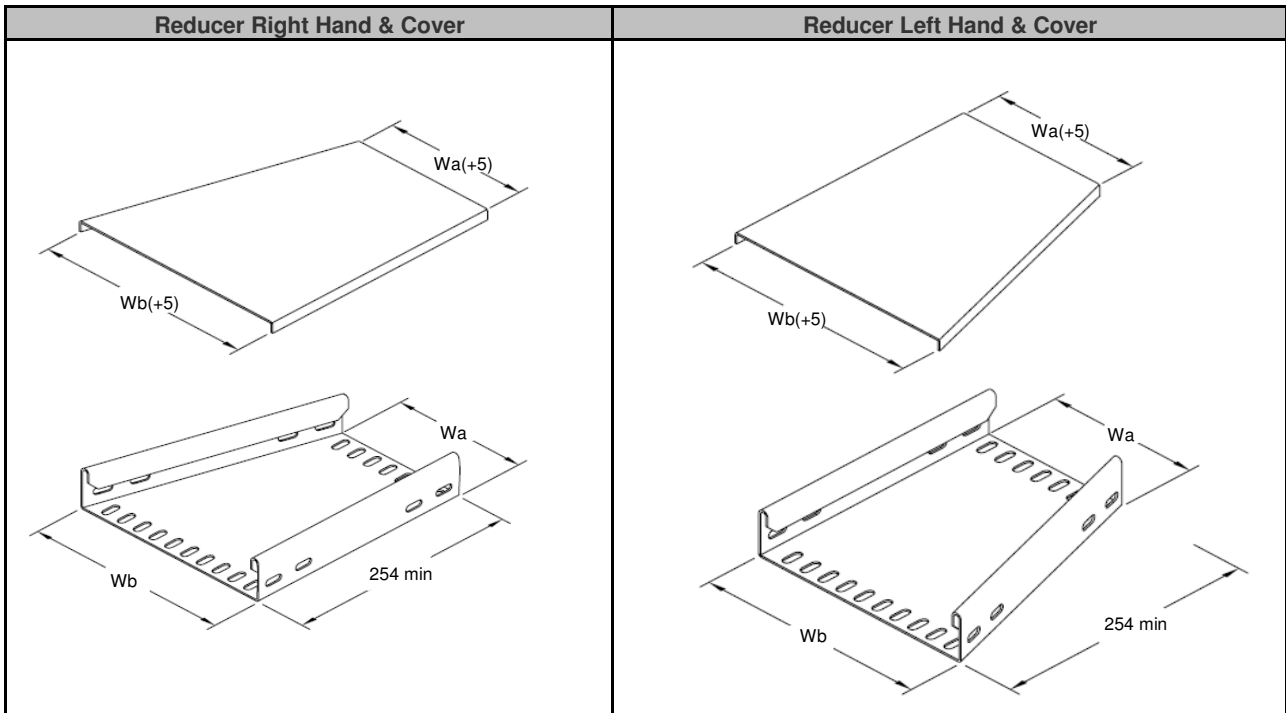
Couplers and fixing bolts for cable tray systems must be ordered separately

Finish Hot Dipped Galvanised, Aluminium, Stainless Steel Grade 304 / 316 or Painted



**ACS ORIGINALSTRUT®; CABLE TRAYS HEAVY DUTY - ACCESSORIES**

**Tray Reducers & Cover**



Tray Reducer Right Hand				
Width mm ( Wb)	Part No "H" 25 mm	Part No "H" 50 mm	Part No "H" 75 mm	Part No "H" 100 mm
50	THGRRHD2W050	THGRRHD3W050	THGRRHD4W050	THGRRHD5W050
100	THGRRHD2W100	THGRRHD3W100	THGRRHD4W100	THGRRHD5W100
150	THGRRHD2W150	THGRRHD3W150	THGRRHD4W150	THGRRHD5W150
200	THGRRHD2W200	THGRRHD3W200	THGRRHD4W200	THGRRHD5W200
300	THGRRHD2W300	THGRRHD3W300	THGRRHD4W300	THGRRHD5W300
450	THGRRHD2W450	THGRRHD3W450	THGRRHD4W450	THGRRHD5W450
600	THGRRHD2W600	THGRRHD3W600	THGRRHD4W600	THGRRHD5W600
750	THGRRHD2W750	THGRRHD3W750	THGRRHD4W750	THGRRHD5W750

Cover		
Width mm ( W)	Part No REDUCER RH	Part No REDUCER LH
50	CTHGRRW050	CTHGLRW050
100	CTHGRRW100	CTHGLRW100
150	CTHGRRW150	CTHGLRW150
200	CTHGRRW200	CTHGLRW200
300	CTHGRRW300	CTHGLRW300
450	CTHGRRW450	CTHGLRW450
600	CTHGRRW600	CTHGLRW600
750	CTHGRRW750	CTHGLRW750

Tray Reducer Left Hand				
Width mm ( Wb)	Part No "H" 25 mm	Part No "H" 50 mm	Part No "H" 75 mm	Part No "H" 100 mm
50	THGLRHD2W050	THGLRHD3W050	THGLRHD4W050	THGLRHD5W050
100	THGLRHD2W100	THGLRHD3W100	THGLRHD4W100	THGLRHD5W100
150	THGLRHD2W150	THGLRHD3W150	THGLRHD4W150	THGLRHD5W150
200	THGLRHD2W200	THGLRHD3W200	THGLRHD4W200	THGLRHD5W200
300	THGLRHD2W300	THGLRHD3W300	THGLRHD4W300	THGLRHD5W300
450	THGLRHD2W450	THGLRHD3W450	THGLRHD4W450	THGLRHD5W450
600	THGLRHD2W600	THGLRHD3W600	THGLRHD4W600	THGLRHD5W600
750	THGLRHD2W750	THGLRHD3W750	THGLRHD4W750	THGLRHD5W750

**Thick** 1.0mm, 1.6mm and 2.0mm, other thickness, widths or shape available on request

Couplers and fixing bolts for cable tray systems must be ordered separately  
**Finish** Hot Dipped Galvanised, Aluminium, Stainless Steel Grade 304 / 316  
 or Painted

**ACS ORIGINALSTRUT®; CABLE TRAYS - COVER**

Cover Straight		
Part No	Width	Height
COVER STRAIGHT	W	H
CTHGSTW050	50	10
CTHGSTW075	75	10
CTHGSTW100	100	10
CTHGSTW150	150	10
CTHGSTW200	200	10
CTHGSTW300	300	10
CTHGSTW450	450	10
CTHGSTW600	600	10
CTHGSTW750	750	10
CTHGSTW900	900	10

**Note** Type 1. > Use for Cover Width 100 to 200  
 Type 2. > Use for Cover Width 300 to 1000

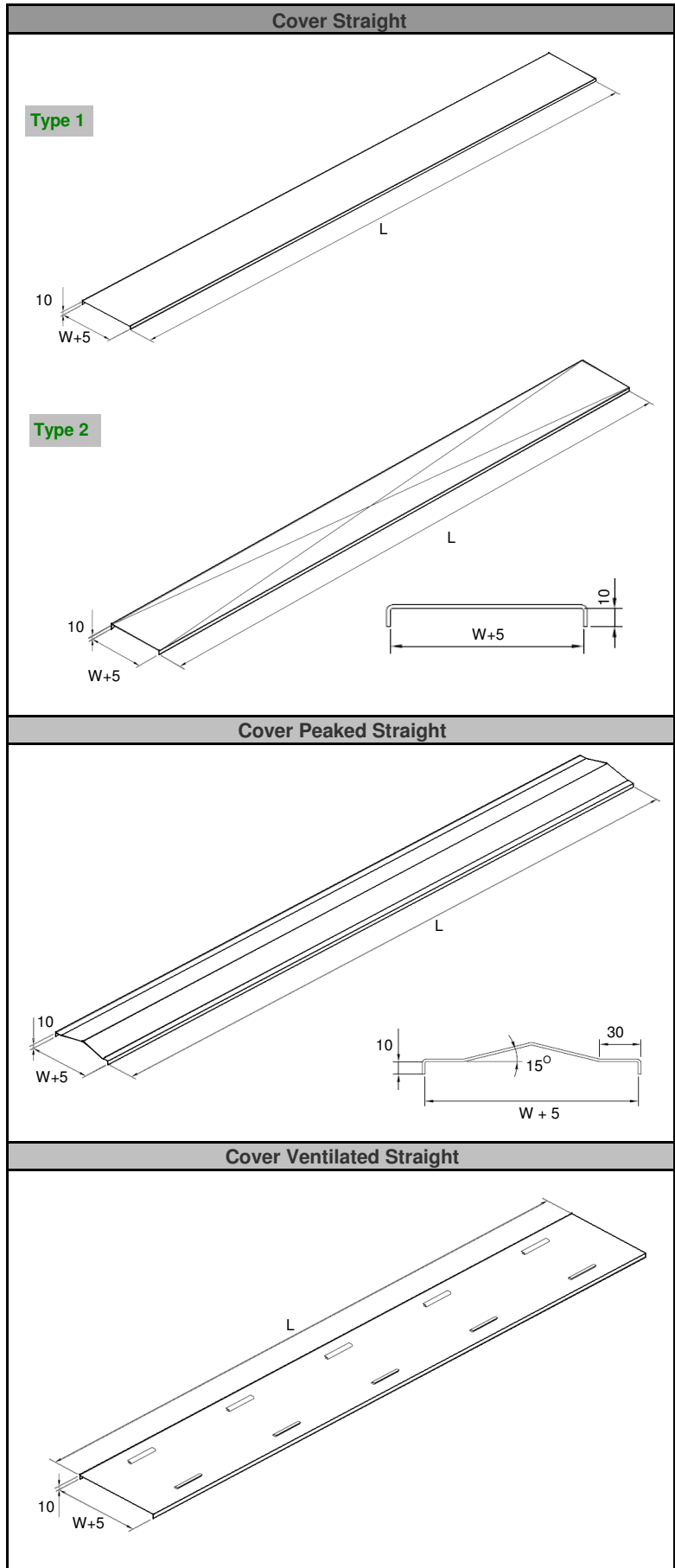
Cover Peaked Straight		
Part No	Width	Height
COVER PEAKED ST	W	H
CTHGPKW050	50	10
CTHGPKW075	75	10
CTHGPKW100	100	10
CTHGPKW150	150	10
CTHGPKW200	200	10
CTHGPKW300	300	10
CTHGPKW450	450	10
CTHGPKW600	600	10
CTHGPKW750	750	10
CTHGPKW900	900	10

Cover Ventilated Straight		
Part No	Width	Height
COVER VENTILATED ST.	W	H
CTHGVSU050	50	10
CTHGVSU075	75	10
CTHGVSU100	100	10
CTHGVSU150	150	10
CTHGVSU200	200	10
CTHGVSU300	300	10
CTHGVSU450	450	10
CTHGVSU600	600	10
CTHGVSU750	750	10
CTHGVSU900	900	10

**Thick** 1.0mm, 1.6mm and 2.0mm, other thickness available on request

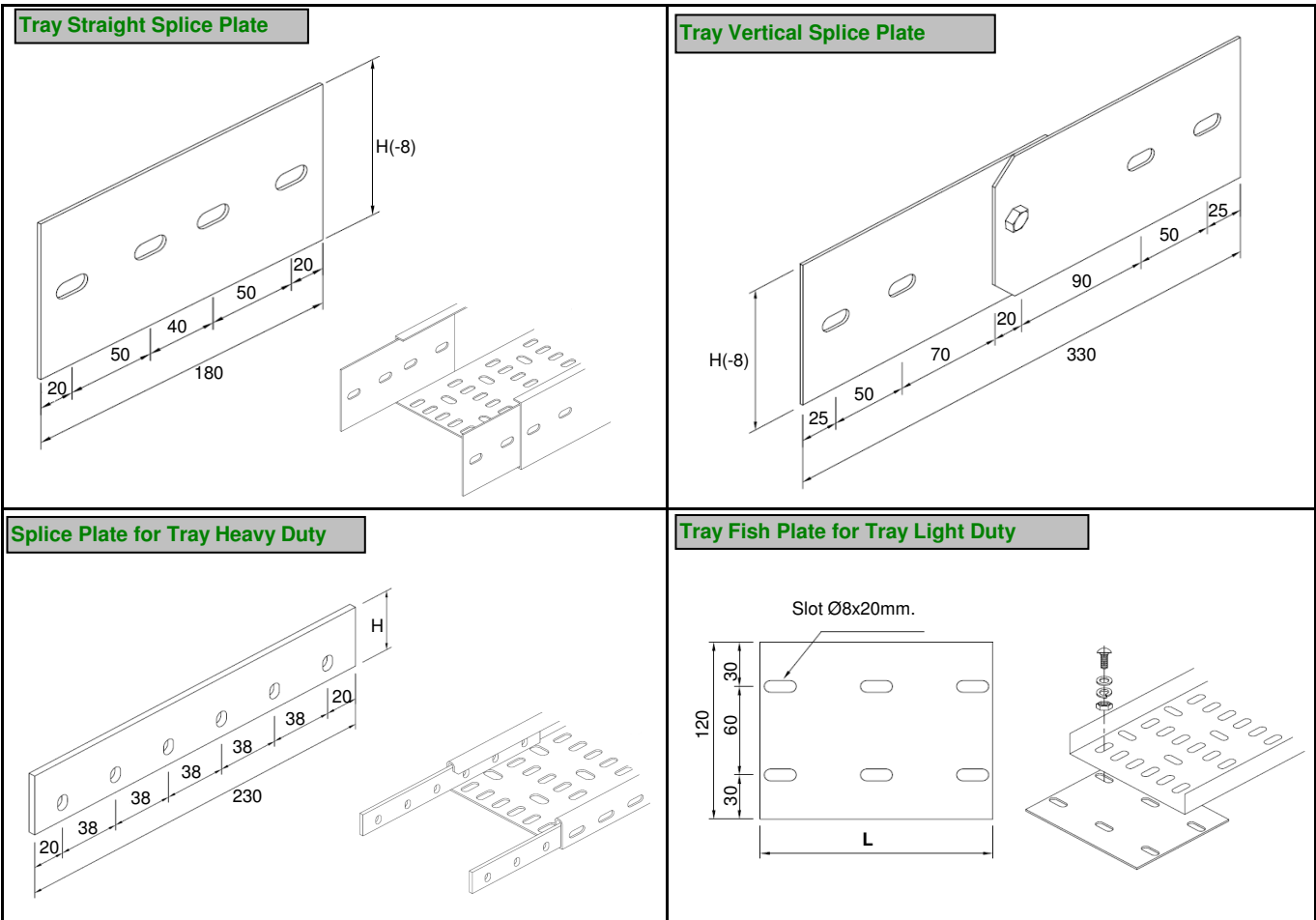
Fixing Hardware for cable Tray systems must be ordered separately

**Finish** Hot Dipped Galvanised, Aluminium, Stainless Steel Grade 304 / 316 or Painted



**ACS ORIGINALSTRUT®; CABLE TRAYS - ACCESSORIES**

**Cable Trays - Accessories**



Tray Straight Splice Plate			
Part No "H" 25mm	Part No "H" 50mm	Part No "H" 75mm	Part No "H" 100mm
THGSSPH025	THGSSPH050	THGSSPH075	THGSSPH100
Tray Vertical Splice Plate			
THGVSPH025	THGVSPH050	THGVSPH075	THGVSPH100
Splice Plate for Tray Heavy Duty			
THGSPHH025	THGSPHH050	THGSPHH100	
Tray Fish Plate for Tray Light Duty			
Width mm ( W)	Part No		
50	THGTFPW050		
100	THGTFPW100		
150	THGTFPW150		
200	THGTFPW200		
300	THGTFPW300		
450	THGTFPW450		
600	THGTFPW600		
750	THGTFPW750		
900	THGTFPW900		

**Thick** 1.0mm, 1.6mm and 2.0mm, other thickness, widths or shape available on request

Couplers and fixing bolts for cable tray systems must be ordered separately

**Finish** Hot Dipped Galvanised, Aluminium

Stainless Steel Grade 304 / 316 or Painted

**ACS ORIGINALSTRUT®; CABLE TRAYS - ACCESSORIES**

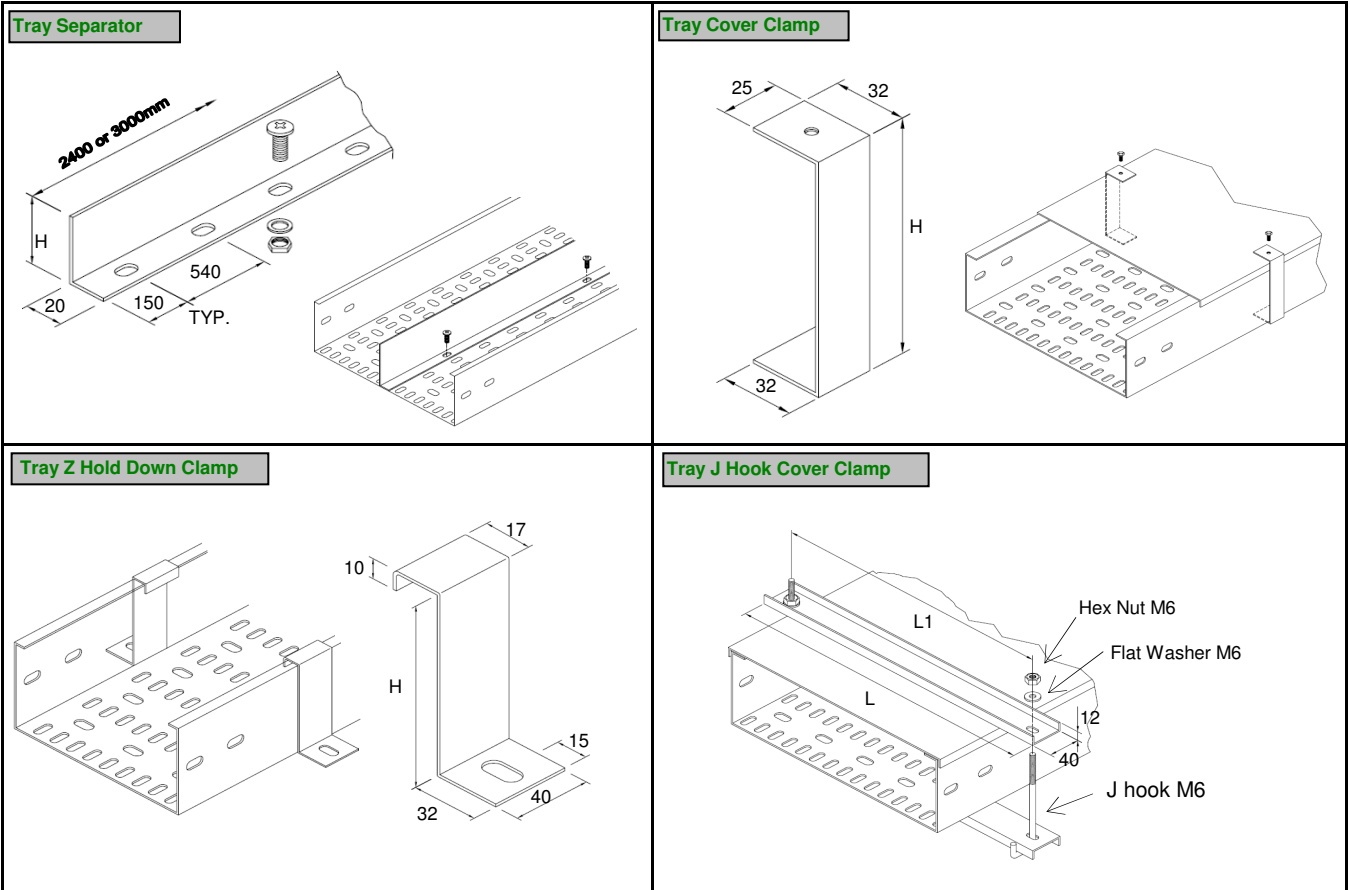
**Cable Trays - Accessories**

<p><b>Tray Horizontal Splice Plate</b></p>	<p><b>Tray Splice Plate 90°</b></p>																																																							
<p><b>Tray Expansion Splice Plate</b></p>	<p><b>Tray End Plate</b></p>																																																							
<p><b>Tray Reducer Plate</b></p>	<table border="1"> <thead> <tr> <th colspan="5">Tray End Plate</th> </tr> <tr> <th>Width (W)</th> <th>Part No "H" 25mm</th> <th>Part No "H" 50mm</th> <th>Part No "H" 75mm</th> <th>Part No "H" 100mm</th> </tr> </thead> <tbody> <tr><td>50</td><td>THG2EPW050</td><td>THG3EPW050</td><td>THG4EPW050</td><td>THG5EPW050</td></tr> <tr><td>100</td><td>THG2EPW100</td><td>THG3EPW100</td><td>THG4EPW100</td><td>THG5EPW100</td></tr> <tr><td>150</td><td>THG2EPW150</td><td>THG3EPW150</td><td>THG4EPW150</td><td>THG5EPW150</td></tr> <tr><td>200</td><td>THG2EPW200</td><td>THG3EPW200</td><td>THG4EPW200</td><td>THG5EPW200</td></tr> <tr><td>300</td><td>THG2EPW300</td><td>THG3EPW300</td><td>THG4EPW300</td><td>THG5EPW300</td></tr> <tr><td>450</td><td>THG2EPW450</td><td>THG3EPW450</td><td>THG4EPW450</td><td>THG5EPW450</td></tr> <tr><td>600</td><td>THG2EPW600</td><td>THG3EPW600</td><td>THG4EPW600</td><td>THG5EPW600</td></tr> <tr><td>750</td><td>THG2EPW750</td><td>THG3EPW750</td><td>THG4EPW750</td><td>THG5EPW750</td></tr> <tr><td>900</td><td>THG2EPW900</td><td>THG3EPW900</td><td>THG4EPW900</td><td>THG5EPW900</td></tr> </tbody> </table>	Tray End Plate					Width (W)	Part No "H" 25mm	Part No "H" 50mm	Part No "H" 75mm	Part No "H" 100mm	50	THG2EPW050	THG3EPW050	THG4EPW050	THG5EPW050	100	THG2EPW100	THG3EPW100	THG4EPW100	THG5EPW100	150	THG2EPW150	THG3EPW150	THG4EPW150	THG5EPW150	200	THG2EPW200	THG3EPW200	THG4EPW200	THG5EPW200	300	THG2EPW300	THG3EPW300	THG4EPW300	THG5EPW300	450	THG2EPW450	THG3EPW450	THG4EPW450	THG5EPW450	600	THG2EPW600	THG3EPW600	THG4EPW600	THG5EPW600	750	THG2EPW750	THG3EPW750	THG4EPW750	THG5EPW750	900	THG2EPW900	THG3EPW900	THG4EPW900	THG5EPW900
Tray End Plate																																																								
Width (W)	Part No "H" 25mm	Part No "H" 50mm	Part No "H" 75mm	Part No "H" 100mm																																																				
50	THG2EPW050	THG3EPW050	THG4EPW050	THG5EPW050																																																				
100	THG2EPW100	THG3EPW100	THG4EPW100	THG5EPW100																																																				
150	THG2EPW150	THG3EPW150	THG4EPW150	THG5EPW150																																																				
200	THG2EPW200	THG3EPW200	THG4EPW200	THG5EPW200																																																				
300	THG2EPW300	THG3EPW300	THG4EPW300	THG5EPW300																																																				
450	THG2EPW450	THG3EPW450	THG4EPW450	THG5EPW450																																																				
600	THG2EPW600	THG3EPW600	THG4EPW600	THG5EPW600																																																				
750	THG2EPW750	THG3EPW750	THG4EPW750	THG5EPW750																																																				
900	THG2EPW900	THG3EPW900	THG4EPW900	THG5EPW900																																																				
<table border="1"> <thead> <tr> <th colspan="4">Tray Horizontal Splice Plate</th> </tr> <tr> <th>Part No "H" 25mm</th> <th>Part No "H" 50mm</th> <th>Part No "H" 75mm</th> <th>Part No "H" 100mm</th> </tr> </thead> <tbody> <tr> <td>THGHSPH025</td> <td>THGHSPH050</td> <td>THGHSPH075</td> <td>THGHSPH100</td> </tr> </tbody> </table>	Tray Horizontal Splice Plate				Part No "H" 25mm	Part No "H" 50mm	Part No "H" 75mm	Part No "H" 100mm	THGHSPH025	THGHSPH050	THGHSPH075	THGHSPH100	<table border="1"> <thead> <tr> <th colspan="5">Tray Reducer Plate</th> </tr> <tr> <th>Width mm (W)</th> <th>Part No "H" 25 mm</th> <th>Part No "H" 50 mm</th> <th>Part No "H" 75 mm</th> <th>Part No "H" 100 mm</th> </tr> </thead> <tbody> <tr><td>50</td><td>THGRP2W050</td><td>THGRP3W050</td><td>THGRP4W050</td><td>THGRP5W050</td></tr> <tr><td>100</td><td>THGRP2W100</td><td>THGRP3W100</td><td>THGRP4W100</td><td>THGRP5W100</td></tr> <tr><td>150</td><td>THGRP2W150</td><td>THGRP3W150</td><td>THGRP4W150</td><td>THGRP5W150</td></tr> <tr><td>200</td><td>THGRP2W200</td><td>THGRP3W200</td><td>THGRP4W200</td><td>THGRP5W200</td></tr> <tr><td>300</td><td>THGRP2W300</td><td>THGRP3W300</td><td>THGRP4W300</td><td>THGRP5W300</td></tr> </tbody> </table>	Tray Reducer Plate					Width mm (W)	Part No "H" 25 mm	Part No "H" 50 mm	Part No "H" 75 mm	Part No "H" 100 mm	50	THGRP2W050	THGRP3W050	THGRP4W050	THGRP5W050	100	THGRP2W100	THGRP3W100	THGRP4W100	THGRP5W100	150	THGRP2W150	THGRP3W150	THGRP4W150	THGRP5W150	200	THGRP2W200	THGRP3W200	THGRP4W200	THGRP5W200	300	THGRP2W300	THGRP3W300	THGRP4W300	THGRP5W300								
Tray Horizontal Splice Plate																																																								
Part No "H" 25mm	Part No "H" 50mm	Part No "H" 75mm	Part No "H" 100mm																																																					
THGHSPH025	THGHSPH050	THGHSPH075	THGHSPH100																																																					
Tray Reducer Plate																																																								
Width mm (W)	Part No "H" 25 mm	Part No "H" 50 mm	Part No "H" 75 mm	Part No "H" 100 mm																																																				
50	THGRP2W050	THGRP3W050	THGRP4W050	THGRP5W050																																																				
100	THGRP2W100	THGRP3W100	THGRP4W100	THGRP5W100																																																				
150	THGRP2W150	THGRP3W150	THGRP4W150	THGRP5W150																																																				
200	THGRP2W200	THGRP3W200	THGRP4W200	THGRP5W200																																																				
300	THGRP2W300	THGRP3W300	THGRP4W300	THGRP5W300																																																				
<p><b>Tray Splice Plate 90°</b></p>																																																								
<p>THG90SH025 THG90SH050 THG90SH075 THG90SH100</p>																																																								
<p><b>Tray Expansion Splice Plate</b></p> <p>THGESPH025 THGESPH050 THGESPH075 THGESPH100</p>																																																								

**Thick** 1.0mm, 1.6mm and 2.0mm, other thickness, widths or shape available on request  
 Couplers and fixing bolts for cable tray systems must be ordered separately  
**Finish** Hot Dipped Galvanised, Aluminium, Stainless Steel 316 / 316 or Painted

**ACS ORIGINALSTRUT®; CABLE TRAYS - ACCESSORIES**

**Cable Trays - Accessories**



Tray Separator				Tray J Hook Cover Clamp				
Part No "H" 25mm	Part No "H" 50mm	Part No "H" 75mm	Part No "H" 100mm	Width ( W )	Part No "H" 25m	Part No "H" 50mm	Part No "H" 75mm	Part No "H" 100mm
THGSEPH025	THGSEPH050	THGSEPH075	THGSEPH100	50	THG2JCW050	THG3JCW050	THG4JCW050	THG5JCW050
<b>Tray Cover Clamp</b>				100	THG2JCW100	THG3JCW100	THG4JCW100	THG5JCW100
THGCCH025	THGCCH050	THGCCH075	THGCCH100	150	THG2JCW150	THG3JCW150	THG4JCW150	THG5JCW150
<b>Tray Z Hold Down Clamp</b>				200	THG2JCW200	THG3JCW200	THG4JCW200	THG5JCW200
THGZHCH025	THGZHCH050	THGZHCH075	THGZHCH100	300	THG2JCW300	THG3JCW300	THG4JCW300	THG5JCW300
				450	THG2JCW450	THG3JCW450	THG4JCW450	THG5JCW450
				600	THG2JCW600	THG3JCW600	THG4JCW600	THG5JCW600
				750	THG2JCW750	THG3JCW750	THG4JCW750	THG5JCW750
				900	THG2JCW900	THG3JCW900	THG4JCW900	THG5JCW900

**Thick** 1.0mm, 1.6mm and 2.0mm, other thickness, widths or shapes available on request

Couplers and fixing bolts for cable tray systems must be ordered separately

**Finish** Hot Dipped Galvanised, Aluminium, Stainless Steel Grade 304 / 316 or Painted

**ACS ORIGINALSTRUT®; CABLE TRAYS - SUPATRAY**

**ST5 Supatray**

**Features**

75mm high side, Rapid on-site fabrication of accessories

**Recommended joining hardware is**

TU940 Nut and Bolt Pack (40/pkt)

**Standard Length** 3m

**Finish** Hot Dipped Galvanised

**Nominal standard Widths**

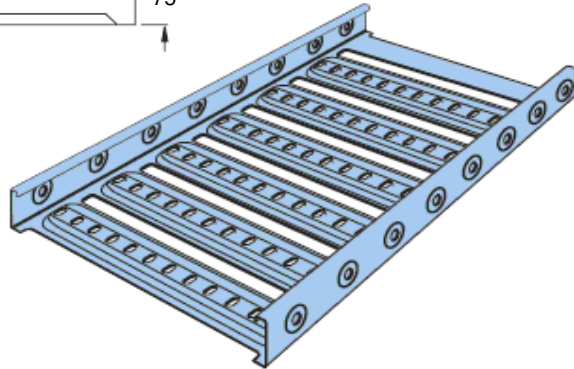
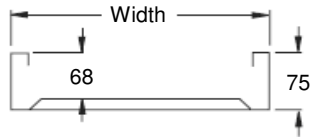
150, 300,450, and 600mm.

**Load carrying capacities of standard**

**ST3 Supatray**

300kg/lin, meter over 1.5m span

80kg/lin, meter over 3m span

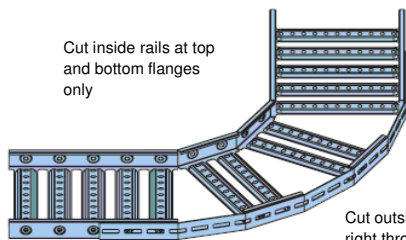


**ST5 Supatray - Parts List**

Dim* "W"	Height (mm)	Part No. / SAP Des.
150mm ST5	75	ST5HGST4W150
300mm ST5	75	ST5HGST4W300
450mm ST5	75	ST5HGST4W450
600mm ST5	75	ST5HGST4W600

**ST5 Supatray Accessories**

**Supatray Bend**

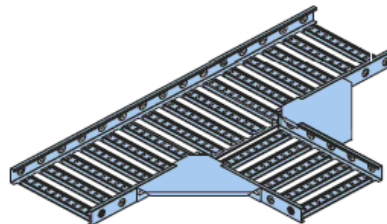


Cut inside rails at top and bottom flanges only

Cut outside rails right through (3 full cuts make 90° bend)

From bendside to suit and cut to length before fixing to tray with standard joining hardware

**Supatray T-X Bracket**

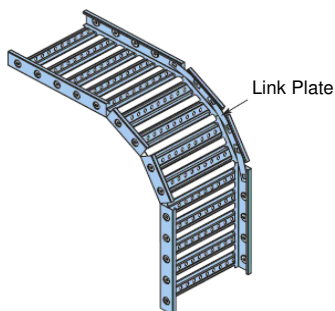


Cut side rails to bottom face in 2 places to suit tray width (flatten side down or cut off with snips)

Fix 2 tee/cross brackets to both trays using joining hardware

Note : Cross is same procedure repeated on the other side

**Supatray External Riser**

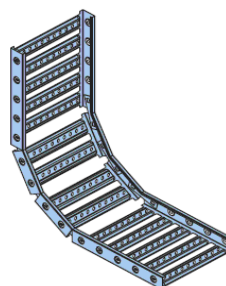


Cut both side rails down to bottom face

Bend tray along bottom face and secure with link plates and joining hardware

3 cuts in each rail make a 90° riser

**Supatray Internal Riser**



Cut side rails through on both sides

Join segments using link plates and joining hardware

2 segments make 90° riser

**ACS ORIGINALSTRUT®; CABLE TRAYS - SUPATRAY**

**ST3 Supatray**

**Features**

75mm high side, Rapid on-site fabrication of accessories

**Recommended joining hardware is**

TU940 Nut and Bolt Pack (40/pkt)

**Standard Length** 3m

**Finish** Hot Dipped Galvanised

**Nominal standard Widths**

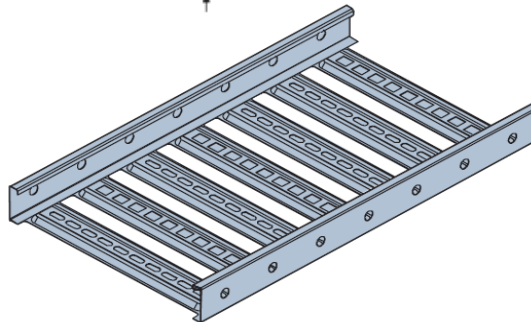
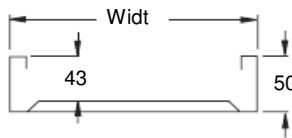
150, 300,450, and 600mm.

**Load carrying capacities of standard**

**ST3 Supatray**

300kg/lin, meter over 1.5m span

80kg/lin, meter over 3m span



Parts List	Dim* "W"	Height (mm)	Part No
	150mm ST3	50	ST3HG4W150
	300mm ST3	50	ST3HG4W300
	450mm ST3	50	ST3HG4W450
	600mm ST3	50	ST3HG4W600

**Supatray Accessories**

**Bendside**

Create bends of varying degrees

**T-X Brackets**

Intersect and change direction of cable tray by creating either a tee or cross section

**Link Plates**

Join and vary the angle of the cable tray  
Create internal and external risers to run cable tray vertically

**Splice Plates**

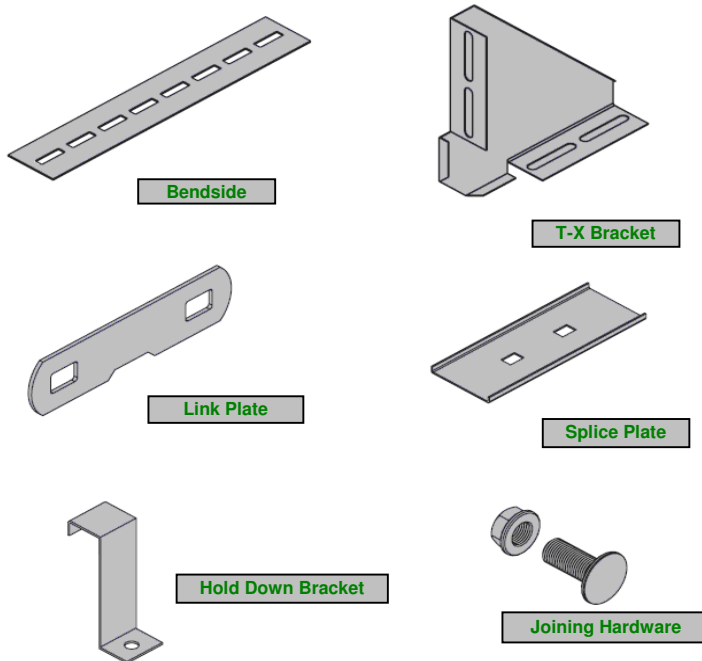
Use to join tray sections together

**Hold Down Brackets**

Allow you to secure the cable tray to the Unistrut support system - cantilever brackets or trapeze hangers

**Joining Hardware**

Used to secure link plates, splice plates, bendsides and T-X brackets to the cable tray.



ST5 - Parts List	
Description	Part No. / SAP Des.
ST5 Bendside	AUH5BS3
ST5 T-X Bracket	AUH5BTX
ST5 Hold Down Bracket	AUH5HDC
ST5 Splice Plate	AUH5PFH
ST5 Link Plate	AUH5PLK
ST5 Joining Hardware (40/pkt)	TU940
ST5 Divider strip 3 long	LEM55

ST3 - Parts List	
Description	Part No. / SAP Des.
ST3 Bendside	AUH2BS3
ST3 T-X Bracket	AUH2BTX
ST3 Hold Down Bracket	AUH2HDC
ST3 Splice Plate	AUH2PFH
ST3 Link Plate	AUH2PLK
ST3 Joining Hardware (40/pkt)	TU940
ST3 Divider strip 3 long	LEE55